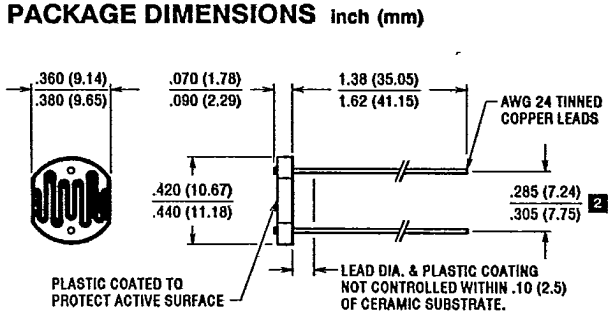


T-41-41

VCT 520000 6090E0E 3EE

LIGHT DEPENDENT RESISTOR **VT400 Series**



ABSOLUTE MAXIMUM RATINGS

PARAMETER	SYMBOL	RATING	UNITS
CONTINUOUS POWER DISSIPATION	P _d	400	mW
DEMAND (20 MINUTES)		600	mW
DERATE ABOVE 25° C	ΔP _d / ΔT	8	mW/°C
TEMPERATURE RANGE OPERATING AND STORAGE	T _A	- 50 to +75	°C

ELECTRO-OPTICAL CHARACTERISTICS @ 25° C (16 HRS. LIGHT ADAPT, MIN.)

Part Number *	Old Part Number	Resistance (Ohms) 3								Peak Spectral Response		Sensitivity (γ, typ.) <small>LOG (R10/R100) LOG (100/10)</small>	V _{Max} (V, pk)	Response Time @ 1 fc (ms, typ.)	
		2 fc 2850 K			1 fc 6500 K, 50 VAC			DARK		(nm)	Type			Rise (1-1/e)	Fall (1/e)
		Min.	Typ.	Max.	Min.	Typ.	Max.	Min.	sec.						
VT42B193	VT423LR	—	19k	—	29k	48k	67k	3.3M	30	515	2	0.9	400	90	18
VT42B113	VT423HR	—	11k	—	17k	28k	39k	2M	30	515	2	0.9	400	90	18
VT42B952	VT422LR	—	9.5k	—	14k	24k	33k	2M	30	515	2	0.9	250	90	18
VT42B552	VT422HR	—	5.5k	—	8.4k	14k	20k	1.4M	30	515	2	0.9	250	90	18
VT42B482	VT421LR	—	4.8k	—	7.2k	12k	17k	1.4M	30	515	2	0.95	200	90	18
VT42B322	VT420LR	—	3.2k	—	4.3k	7.2k	10k	1M	30	515	2	0.9	200	90	18
VT42B282	VT421HR	—	2.8k	—	4.2k	6.9k	9.6k	1M	30	515	2	0.95	200	90	18
VT42B232	VT420HR	—	2.3k	—	3.1k	5.1k	7.1k	500k	30	515	2	0.9	200	90	18
VT47A901	VT471	0.6k	0.9k	1.2k	—	—	—	300k	5	615	7	0.75	150	70	15
VT47A601	VT471L	0.4k	0.6k	0.8k	—	—	—	100k	5	615	7	0.65	50	70	15

* See page 11 for notes.

E G & G VACTEC