

PLEASE CHECK WWW.MOLEX.COM FOR LATEST PART INFORMATION

Part Number: **0192020054**
Status: **Active**
Description: NylaKrimp™ Butt Splice for 8 AWG Wire

Documents:

[Drawing \(PDF\)](#) [RoHS Certificate of Compliance \(PDF\)](#)

Agency Certification

CSA LR18689
 UL E32244

General

Product Family Splices
 Series 19202
 Crimp Quality Equipment Yes
 Mil-Spec N/A
 Product Name Butt, NylaKrimp™

Physical

Barrel Type Closed - Brazed
 Flammability 94V-2
 Insulation Nylon (PA)
 Packaging Type Bag
 Temperature Range - Operating -55°C to +105°C
 Wire Insulation Diameter 6.73mm (.265") max
 Wire Size AWG 8
 Wire Size mm² 6.60 - 10.5

Electrical

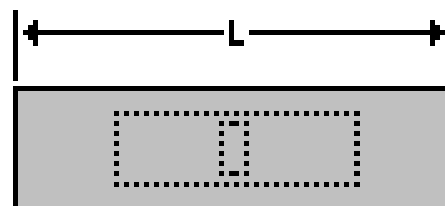
Voltage - Maximum 300V

Material Info

Old Part Number D-754

Reference - Drawing Numbers

Sales Drawing D754CD



Series

image - Reference only

EU RoHS

**ELV and RoHS
 Compliant**

REACH SVHC

Not Reviewed

Halogen-Free

Status

Not Reviewed

China RoHS



**Need more information on product
 environmental compliance?**

Email productcompliance@molex.com
 For a multiple part number RoHS Certificate of
 Compliance, [click here](#)

Please visit the [Contact Us](#) section for any
 non-product compliance questions.

Search Parts in this Series

19202Series

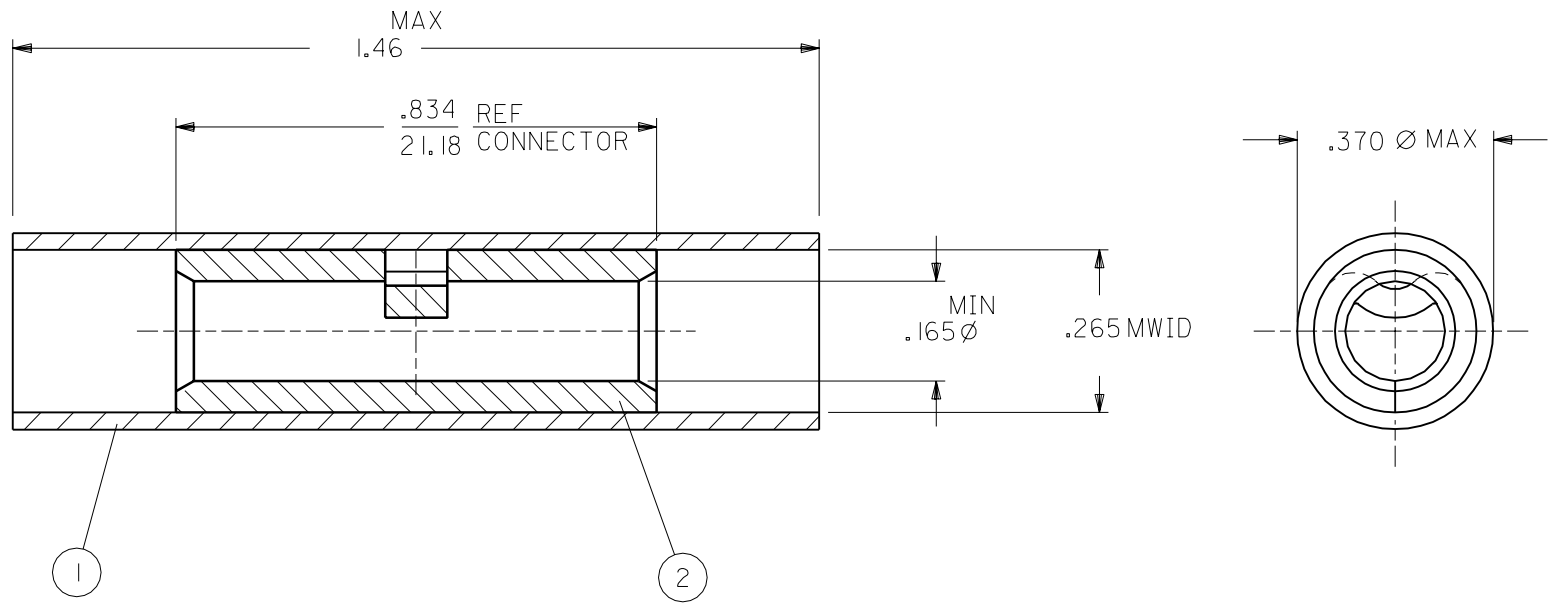
Application Tooling | [FAQ](#)

*Tooling specifications and manuals are
 found by selecting the products below.
 Crimp Height Specifications are then
 contained in the Application Tooling
 Specification document.*

Global

Description	Product #
Putt Pump Dieless Head System	<u>0192860065</u>
Manual Putt Pump Hydraulic System, Die set required	<u>0192860117</u>
Die Set (large) for the HHLS Hydraulic Crimper	<u>0192890001</u>

DRWG. NO.



MWID=MAXIUM WIRE INSULATION DIAMETER

- NOTES:
- 1. COLOR CODED INSULATION, RED, NYLON
 - 2. BUTT SPLICE TIN PLATED COPPER

WIRE SIZE = #8 AWG
10 MM²

LTR.	REVISIONS

DIMENSIONS SHOWN (METRIC) INCH	
UNLESS OTHERWISE SPECIFIED TOLERANCES: ANGULAR ± 1/2°	
	INCH METRIC
3 PLACE	± --- ± ---
2 PLACE	± --- ± ---
1 PLACE	± --- ± ---
DRAFT WHERE APPLICABLE MUST REMAIN WITHIN DIMENSIONS	
DRWG. BY RCM	CHK'D. BY JM
APP'D. BY FP	SCALE 3:1

REVISE ONLY ON CAD SYSTEM	
TITLE NYLAKRIMP BUTT CONNECTOR #8 AWG CUSTOMER DRAWING	
molex ETC INC. PINELLAS PARK, FLA. 33781 U.S.A.	
SHEET NO.	DATE 01/28/91
PART NO. D-754	DRWG. NO.
FILE NAME D754CD	THIS DRAWING CONTAINS INFORMATION THAT IS PROPRIETARY TO MOLEX-ETC INC. AND SHOULD NOT BE USED WITHOUT WRITTEN PERMISSION.
DIV.	SIZE A