

PLEASE CHECK WWW.MOLEX.COM FOR LATEST PART INFORMATION

Part Number: [0987861016](#)
Status: **Active**
Overview: [mox crimp terminals](#)
Description: 2.54mm (.100") Pitch MOX Receptacle Housing, 6 Circuits, Dual Row, Blue

Documents:

[Application Specification \(PDF\)](#) [RoHS Certificate of Compliance \(PDF\)](#)
[Drawing \(PDF\)](#)

General

Product Family	Crimp Housings
Series	98786
Comments	2x3 Circuits, Contact Retentio Force without secondary locking: 40N, with secondary locking: 60N
Overview	mox crimp terminals
Product Name	MOX

Physical

Circuits (maximum)	6
Color - Resin	Blue
Gender	Female
Glow-Wire Compliant	No
Keying to Mating Part	None
Lock to Mating Part	Yes
Material - Resin	Nylon
Number of Rows	2
Packaging Type	Bag
Panel Mount	No
Pitch - Mating Interface (in)	0.100 In
Pitch - Mating Interface (mm)	2.54 mm
Pitch - Term. Interface (in)	0.100 In
Pitch - Term. Interface (mm)	2.54 mm
Polarized to Mating Part	Yes
Stackable	No
Temperature Range - Operating	-40°C to +100°C

Electrical

Current - Maximum per Contact	7.5A
-------------------------------	------

Material Info

Old Part Number	49906226
-----------------	----------

Reference - Drawing Numbers

Application Specification	AS-98787-001
Packaging Specification	PK-98786-001
Sales Drawing	SD-98786-001

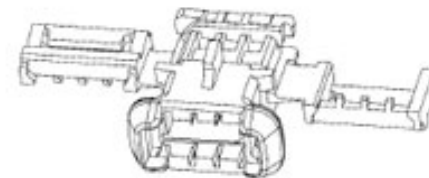


image - Reference only

Series

EU RoHS

ELV and RoHS Compliant
REACH SVHC
Contains SVHC: No
Halogen-Free
Status

China RoHS



Not Reviewed

Need more information on product environmental compliance?

Email productcompliance@molex.com
 For a multiple part number RoHS Certificate of Compliance, [click here](#)

Please visit the [Contact Us](#) section for any non-product compliance questions.

Search Parts in this Series

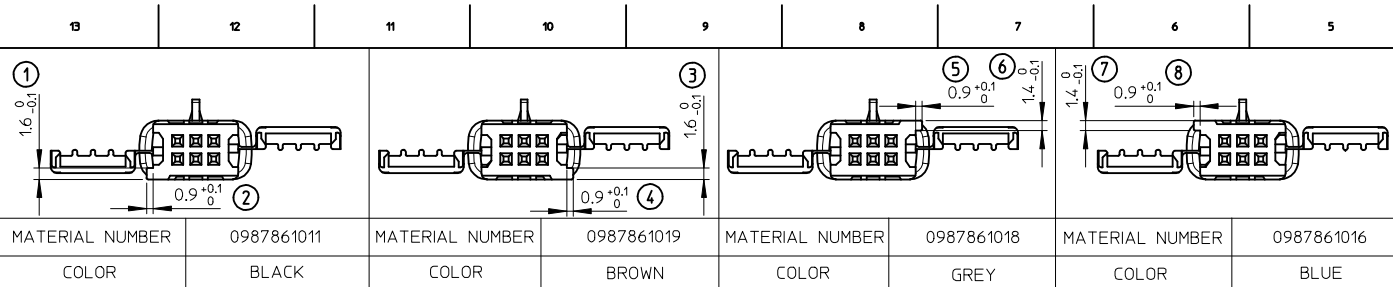
[98786Series](#)

Mates With

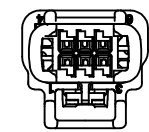
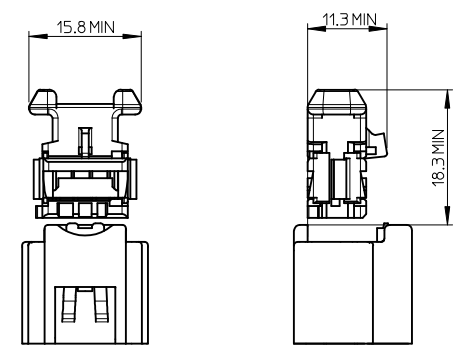
[98780](#) Male Header, [98787](#) MOX Plug Housing

Use With

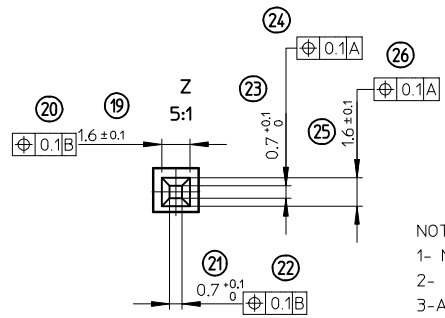
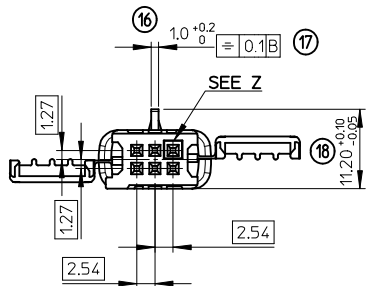
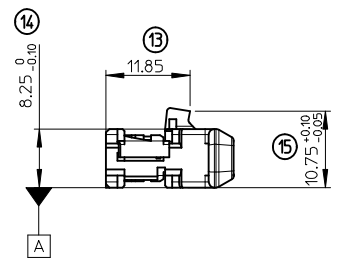
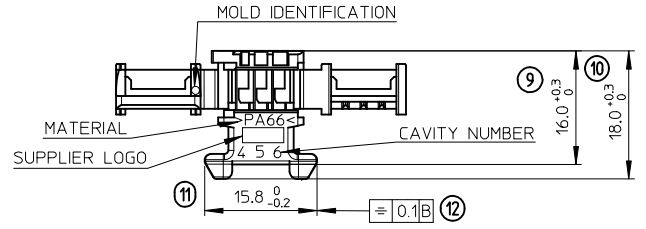
[98658](#) MOX Crimp Terminal



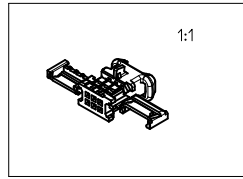
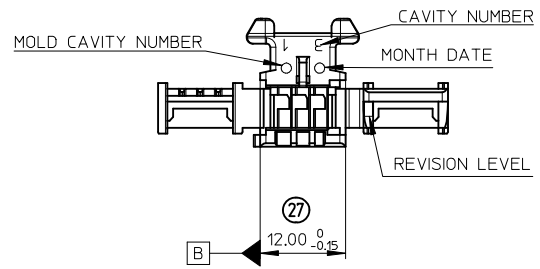
MATERIAL NUMBER	0987861011	MATERIAL NUMBER	0987861019	MATERIAL NUMBER	0987861018	MATERIAL NUMBER	0987861016
COLOR	BLACK	COLOR	BROWN	COLOR	GREY	COLOR	BLUE



NECESSARY VOLUME FOR THE HOUSING ASSEMBLY.
ALLOW AN ADDITIONAL VOLUME FOR THE UNMATING



- NOTES:
- 1- MATERIAL : POLYAMIDE (PA66) UNFILLED UL94V-2
 - 2- USE WITH : 98658 (MOX 0.63 TERMINAL)
 - 3-APPLICATION SPECIFICATION : AS-98787-001
 - 4-MATE WITH : SERIES 98787 , 98780
 - 5-WEIGHT : 1.060 g



FIRST RELEASE EC NO: G2008-0366 DRAWN: VGUERIN 2008/03/25 CHKD: JLDUCLOS 2008/03/25 APPR: LSTICKEIR 2008/03/27	DESCRIPTION	GENERAL TOLERANCES (UNLESS SPECIFIED)		DIMENSION STYLE	SCALE	DESIGN UNITS	FIRST ANGLE PROJECTION	
				MM ONLY	2:1	METRIC		
		4 PLACES	± ---	± ---	DRAWN BY	DATE	TITLE	
		3 PLACES	± ---	± ---	VGUERIN	2008/03/07	MOX RCPT HSG 0.635 CEM 6CKT	
			2 PLACES	± 0.05	± ---	CHECKED BY	DATE	
			1 PLACE	± 0.1	± ---	JLDUCLOS	2008/03/07	
			ANGULAR ± 2 °		APPROVED BY	DATE		
			DRAFT WHERE APPLICABLE MUST REMAIN WITHIN DIMENSIONS		LSTICKEIR	2008/03/07		
			SEE CHART		MATERIAL NO.	DOCUMENT NO.		
			SIZE A2		SD-98786-001		SHEET NO. 1 OF 1	
THIS DRAWING CONTAINS INFORMATION THAT IS PROPRIETARY TO MOLEX INCORPORATED AND SHOULD NOT BE USED WITHOUT WRITTEN PERMISSION								