

T1/CEPT PULSE TRANSFORMER

Turns Ratio (± 5%)

1:1.36CT

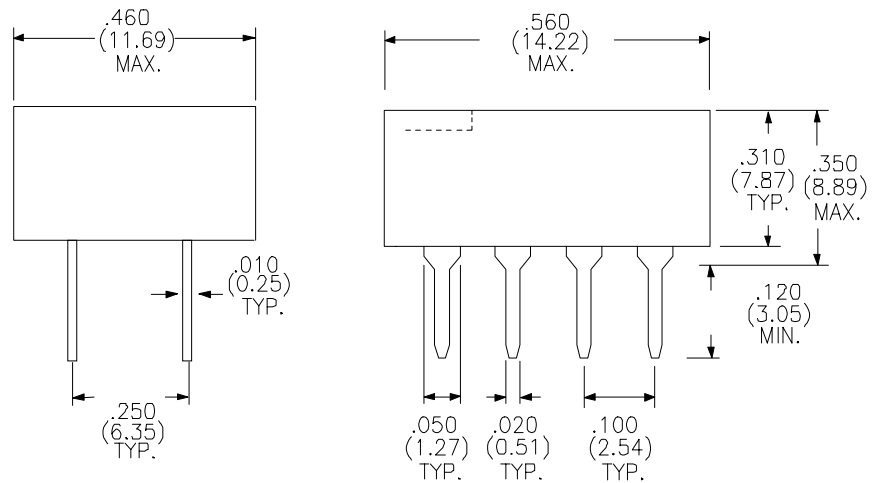
PARAMETER	MIN.	MAX.	UNITS
Open Circuit Inductance Oscillation Voltage = 100mV Oscillation Frequency = 10.0 KHz	0.92		mHy
Leakage Inductance Oscillation Level = 100mV Oscillation Frequency = 100.0 KHz		1.1	μHy
Interwinding Capacitance ($C_{w/w}$) Oscillation Frequency = 100.0 KHz Oscillation Level = 100mV Pin 1 tied to ground		10	pF
Primary DC Resistance		0.75	ohms
Secondary DC Resistance		1.05	ohms
Isolation (HI-POT)	1000		VRMS

Flammability: Materials used in the production of these units meet requirements of UL94-VO and IEC 695-2-2 needle flame test.

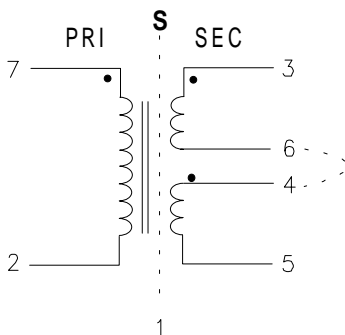
Parts shipped in anti-static tubes.

PHYSICAL DIMENSIONS

All dimensions in inches (mm):



SCHEMATIC DIAGRAM:



S Denotes shield
Center Tap formed by connecting pins 6 & 4

RHOMBUS P/N: **T-707**

CUST P/N:

NAME:

DATE: 07/02/98

SHEET: 1 OF 1