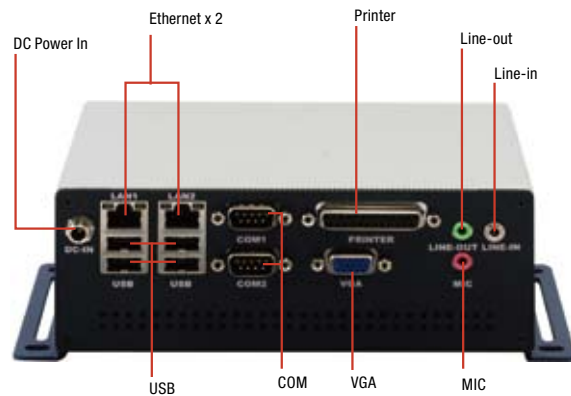


AEC-6410

Compact Embedded Controller With AMD Geode™ LX800 Processor



Features

- Fanless Operation
- Compact Design
- AMD Geode™ LX800 Processor
- Low Power Consumption
- PC/104 Expansion



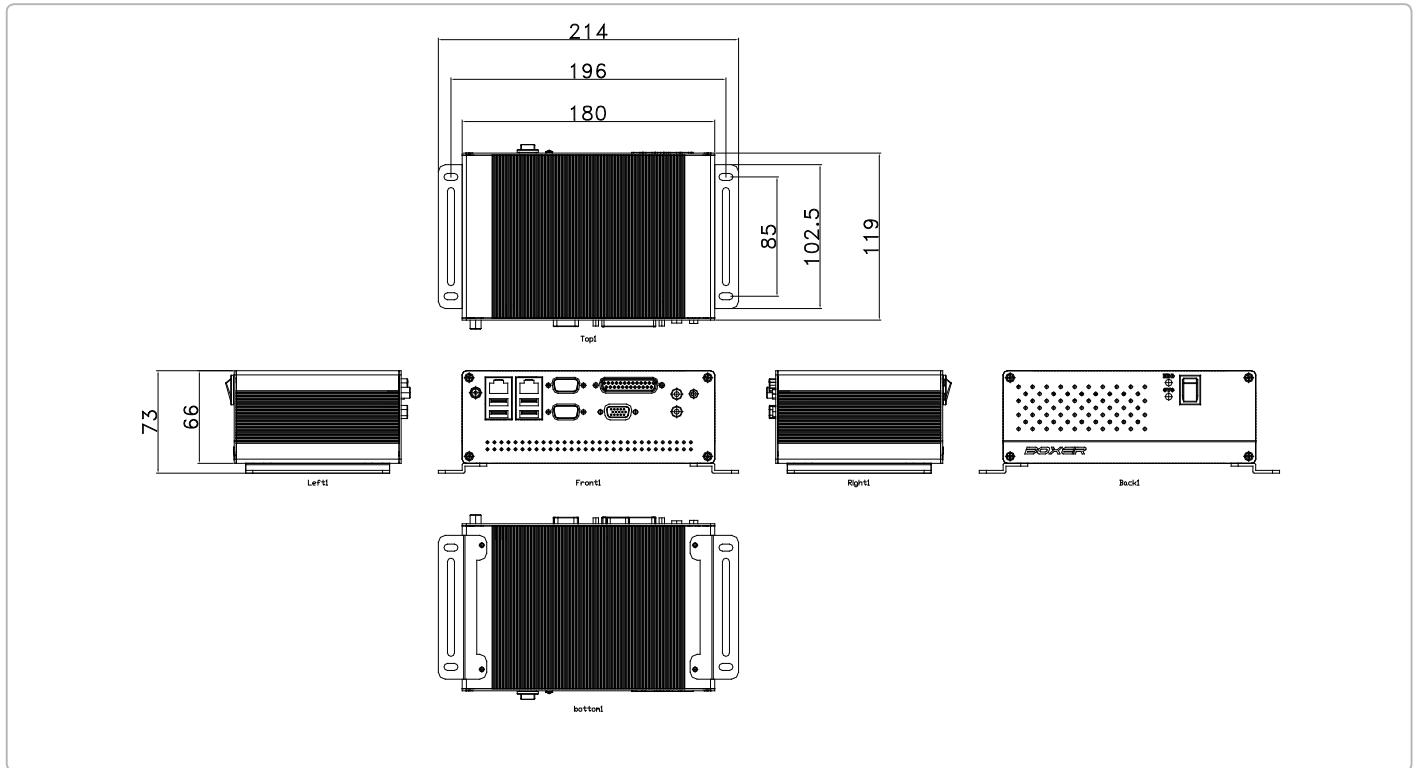
Specifications

| | | |
|-----------------------|--|---|
| CPU | AMD Geode™ LX800 500 MHz | |
| Chipset | AMD Geode™ LX | |
| System Memory | DDR RAM SODIMM x 1, Max. 512 MB | |
| Display Interface | VGA | DB-15 x 1, shared system memory up to 254MB |
| | DVI | — |
| | Others | — |
| Storage Device | SSD | — |
| | HDD | 2.5" SATA/IDE Slim Hard Disk Drive bay x 1 (optional) |
| Network | LAN | Gigabit Ethernet, RJ-45 x 2 |
| | Wireless | — |
| Front I/O | USB Port | — |
| | LAN | — |
| | Serial Port | — |
| | DIO | — |
| | Audio | — |
| | KB/MS | — |
| | Others | Power switch x 1 |
| | | |
| Rear I/O | USB Port | USB2.0 x 4 |
| | LAN | RJ-45 x 2 |
| | Serial Port | RS-232 x 1, RS-232/422/485 x 1 |
| | DIO | — |
| | Audio | Line-in/Line-out/Mic-in x 1 |
| | KB/MS | — |
| | Others | VGA x 1, Power inlet x 1, Print Port x 1 |
| Expansion | PCIe [x1] | — |
| | PCI | — |
| | Mini Card | — |
| | Mini PCI | — |
| | Others | — |
| Indicator | Front | Power LED x 1, Hard Disk Drive LED x 1 |
| | Rear | — |
| Power Requirement | DC Input 12V | |
| Power Consumption | AMD LX800, 0.86A@DC 12V | |
| System Cooling | Passive Cooling | |
| Mounting | Wallmount | |
| Operating Temperature | 32°F ~ 104°F (0°C ~ 40°C) (LX800/CompactFlash™) | |
| Storage Temperature | 14°F ~ 140°F (-10°C ~ 60°C) | |
| Anti-Vibration | 5 g rms/ 5~500Hz/ Random Operation - CompactFlash™ | |
| Anti-Shock | 50 G Peak Acceleration (11 msec. Duration) - CompactFlash™ | |
| MTBF | 40,000 | |
| Certification | EMC | CE /FCC Class A |
| | Safety | — |
| Dimension (W x H x D) | 7.1" (W) x 2.6" (H) x 4.7" (D) (180mm x 66mm x 119mm) | |
| Gross Weight | 6.16 lb (2.8 Kg) | |
| Note | Windows® XP Embedded, Windows® XP, Windows® CE Support | |

AEC-6410

Dimension

Unit: mm



Ordering Information

- **TF-AEC-6410-A1-1010**
Embedded Controller, AMD Geode™ LX800 500 MHz, Fanless, DC 12V, 512 MB RAM

Optional Accessories

- **1757306004**
Power Adapter, AC 100/240V, DC 12V/5A Output, 60W, with Lock
- **1702031802**
Power Cord (US Type)
- **1702031803**
Power Cord (European Type)
- **170203180E**
Power Cord (Japanese Type)