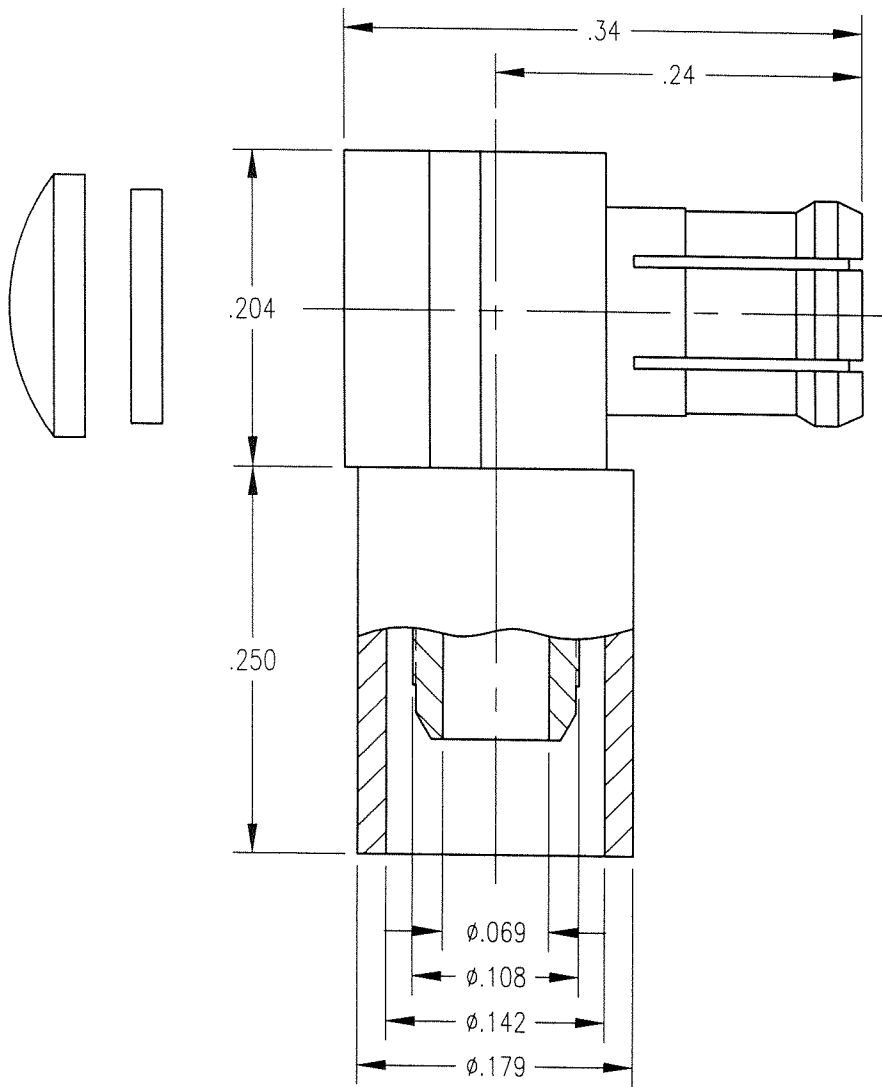
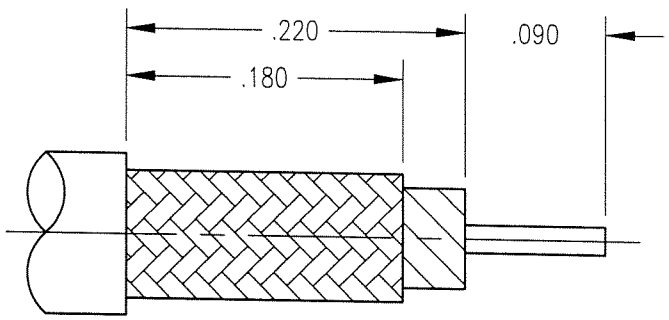


REV	DESCRIPTION	BY DATE	APPD
D	ECR 6638	JH 3/7/00	JH 3/7/00



- NOTES:
- MATERIALS:
 FRONT BODY: BERYLLIUM COPPER PER ASTM B196
 INSULATOR: TEFLON PER ASTM D1710
 ALL OTHER METAL PARTS: BRASS PER ASTM B16
 - FINISH:
 CENTER CONTACT: .000030 MIN. GOLD PER MIL-G-45204 OVER
 .000050 MIN. NICKEL PER QQ-N-290
 BODIES: .000015 MIN. GOLD PER MIL-G-45204 OVER
 .000050 MIN. NICKEL PER QQ-N-290
 ALL OTHER METAL PARTS: .000005 MIN. GOLD PER MIL-G-45204
 OVER .000050 MIN. NICKEL PER QQ-N-290
 - FOR USE WITH RG-316 DOUBLE SHIELDED CABLE OR EQUIVALENT.
 - FOR CABLING PROCEDURES USE CAP 9-09 WITH TRIMMING DIMENSIONS SHOWN.
 - CRIMP FERRULE USING .151 HEX DIE.



CABLE TRIMMING DIMENSIONS

PER ASME Y14.5M-1994 UNLESS OTHERWISE SPECIFIED: DIMENSIONS ARE IN INCHES (MM) TOLERANCES: DECIMALS .xx ± .01/0.254 .xxx ± .005/0.127 ANGLES ± 2° SCALE: 8:1		Litton Winchester/Retconn <small>400 Park Road Waterford, Connecticut 06795</small>	
CUSTOMER DRAWING		TITLE MCX R/A CABLE PLUG FOR RD-316 CABLE	
DRAWN KJT DATE 03/07/00	CHECKED JH DATE 3/7/00	APPROVED JMC DATE 3/7/00	APPROVED JED DATE 3/7/00
A		452-900-0631H	SHT. OF REV. 1 1 D