

New Jersey Semi-Conductor Products, Inc.

20 STERN AVE.
 SPRINGFIELD, NEW JERSEY 07081
 U.S.A.

TELEPHONE: (201) 376-292
 (212) 227-600
 FAX: (201) 376-896

PARAMETERS

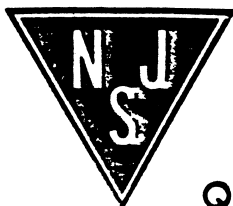
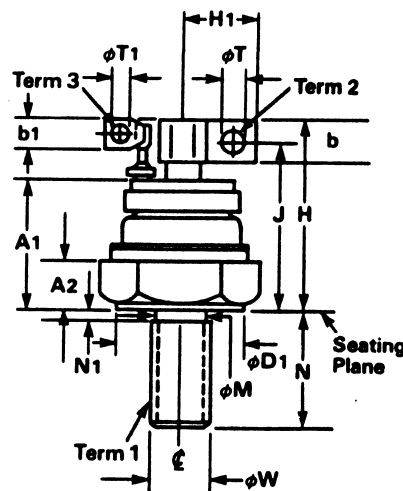
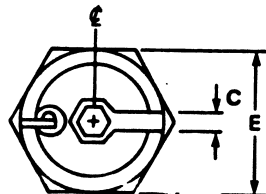
2N6841

SI NPN POWER BJT, I(C) = 20 A TO 49.9 A

Description: Si NPN Power BJT, I(C) = 20 A to 49.9 A

Manufacturer.....	
Mil/High-Rel? (Y/N).....	
Ic Max. (A).....	40
Vbr CEO.....	450v
Vbr CBO.....	750
Max. PD (W).....	882
Derate Above 25xC.....	
Min hFE.....	10
Max. hFE.....	
@Ic (test) (A).....	40
@VCE (V).....	2.5
Trans. Freq (Hz) Min.....	5.0M
Icbo Max. @Vcb Max. (A).....	5.0m6
R(sat) (j).....	
Tr Max. (s).....	600n
t(f) Max. (s).....	600n
Oper. Temp (xC) Max.....	175u
Pkg Style.....	StR-1/2
Surface Mounted (Y/N).....	N
Pinout Equivalence Number.....	N/A

u Junction Temperature 2 It(rms) v BVCEO (SUS) 6 ICEV



Quality Semi-Conductors