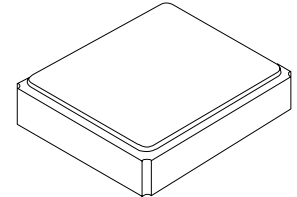





XTL1008

**26.00000 MHz
Crystal Unit**



SM3225-4 Case

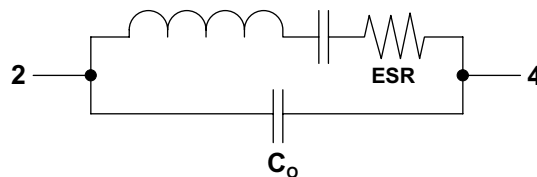
- **Surface Mount Seam-Weld Package**
- **Good Frequency Stability over Temperature**
- **Excellent Reliability**
- **Complies with Directive 2002/95/EC (RoHS)** 

The XTL1008 is a surface mount 3.2 x 2.5 mm crystal unit for use in wireless telecommunications devices, especially where an ultra-miniature package is needed for mobility.

Electrical Characteristics

Characteristic	Sym	Notes	Minimum	Typical	Maximum	Units
Nominal Frequency				26.00000		MHz
Mode of Oscillation			Fundamental			
Storage Temperature Range			-40		+85	°C
Operating Temperature Range			-20		+70	°C
Frequency Stability, -20 to +70 °C			±10 ppm (referred to value at 25 °C)			
Frequency Stability, -40 to +85 °C			±30 ppm (referred to value at 25 °C)			
Frequency Make Tolerance	F _L		±10 ppm @ 25 °C ±3 °C			
Equivalent Series Resistance	ESR				50	Ω
Nominal Drive Level				10		μW
Shunt Capacitance	C _O				2.0	pF
Load Capacitance	C _L			16		pF
Insulation Resistance			500 MΩ min @ 100 VDC			
Standard Shipping Quantity on 178 mm (7") Reel				3000		units
Lid Symbolization (in addition to Lot and/or Date Codes)			Line1: 1008 Line2: YWWS			

Crystal Equivalent Circuit



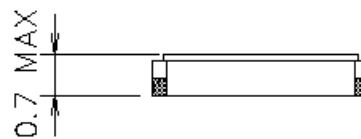
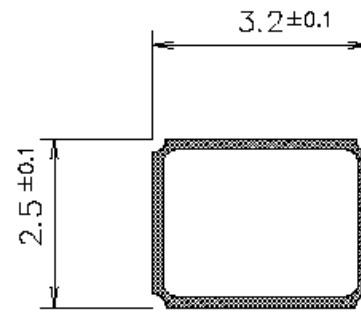
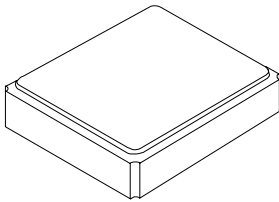
CAUTION: Electrostatic Sensitive Device. Observe precautions for handling.

Notes:

1. The design, manufacturing process, and specifications of this device are subject to change without notice.

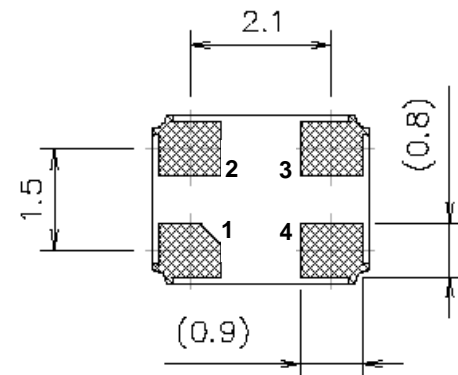
SM3225-4 Case

4-Terminal Surface-Mount Seam Weld Case 3.2 x 2.5 mm Nominal Footprint

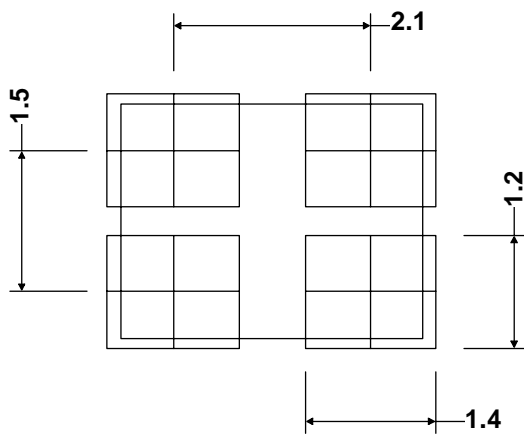


Electrical Connections

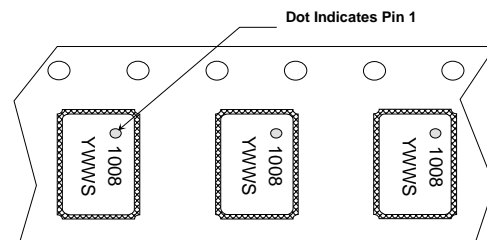
Pin	Connection
1	GND
2	IN/OUT
3	GND
4	IN/OUT



Package Dimensions (mm)

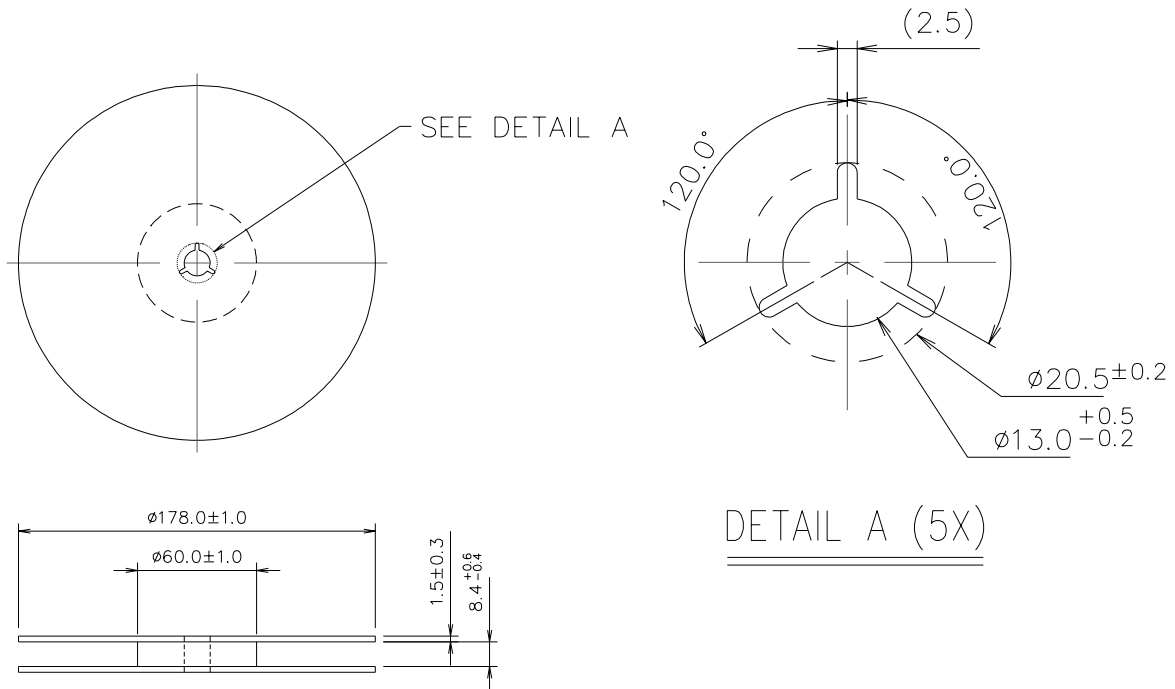


Footprint (mm)



Package Orientation in Carrier Tape

Reel Dimensions



Tape Dimensions

