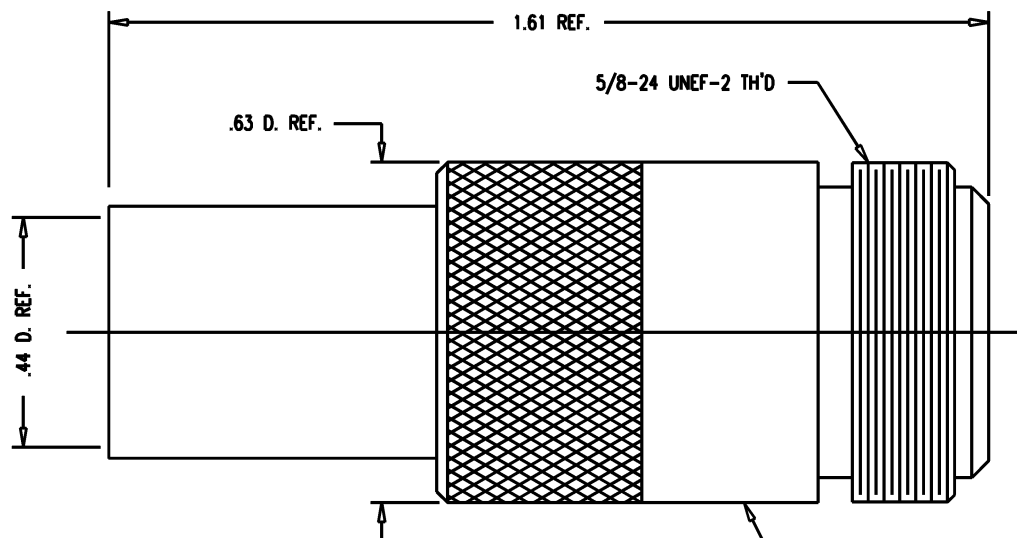


|          |        |           |
|----------|--------|-----------|
| DASH NO. | M CODE | MADE FROM |
|----------|--------|-----------|

# GSD

M39012/02-0501

| REVISIONS |           |                     |
|-----------|-----------|---------------------|
| ISSUE     | CHANGES   |                     |
| 8         | CN<br>LNM | 32243 A<br>06/01/90 |



STAMP: 91836 M39012/02-0501  
KN-39-83 XX XX (DATE CODE)

**NOTES:**

1. FOR USE WITH RG-9, 9A, 9B, 214, 225 & 393/U CABLE.
2. FOR CABLING INSTRUCTIONS SEE CP-480.
3. FOR CABLE TRIMMING USE KTJ-137 AND KTD-138.
4. FOR CRIMPING USE DIE KTH-2004.
5. INTERFACE PER MIL-STD-348, FIG. 304-2.
6. CENTER CONTACT TO BE SUPPLIED UNASSEMBLED.
7. K-GRIP GASKET TO BE USED ON RG-393/U ONLY.  
OMIT WHEN USING RG-9, 214 & 225/U CABLE.
8. MATERIALS:  
INSULATOR-TEFLON, ASTM-D-1457  
K-GRIP GASKET-SIL. RUB., ZZ-R-765  
K-GRIP SLEEVE-COMMERCIAL BRONZE, ALLOY 220  
CENTER CONTACT-BER. COP., ASTM-B-196  
ALL OTHER METAL PARTS-BRASS, QQ-B-626
9. FINISHES:  
CENTER CONTACT-HARD GOLD PLATE PER MIL-G-45204  
ALL OTHER METAL PARTS-SILVER PLATE PER QQ-S-365
10. ELECTRICAL CHARACTERISTICS:  
NOMINAL IMPEDANCE-50 OHMS  
WORKING VOLTAGE-1000 VRMS  
FREQUENCY RANGE-DC TO 11 GHZ

JCA1686

|   |          |               |
|---|----------|---------------|
| SCALE   | 4:1      |               |
| APPROX SURFACE AREA   | KN-39-83 |               |
| USED ON   |          |               |
| REF:  | JACK, N  |               |
| DRAWN   | JCA      | DATE 05/28/91 |
| DESIGN  | MJB      | DATE 05/28/91 |
| APPR.   | DATE     |               |
| <b>KINGS</b><br>ELECTRONICS CO., INC.<br>TUCKAHOE, NEW YORK 10707 |          |               |
| M39012/02-0501  |          |               |

# GSD