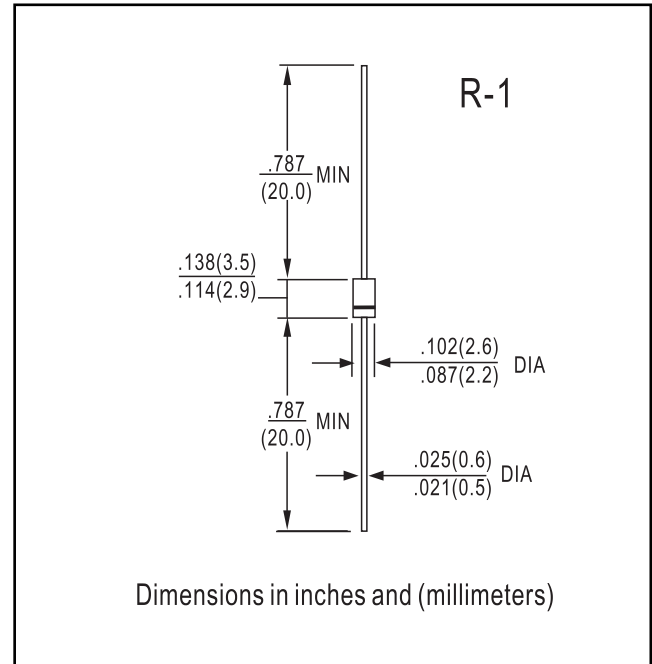




**FEATURES**

- Ultra small package, possible for 5mm pitch automatic insertion
- High voltage by mesa design
- High reliability



**MAXIMUM RATINGS AND ELECTRICAL CHARACTERISTICS**

● Absolute maximum ratings

Item	Symbol	Conditions	Rating					Unit
			-02	-04	-06	-08	-10	
Repetitive peak reverse voltage	$V_{RRM}$		200	400	600	800	1000	V
Average forward current	$I_{F(AV)}$	Resistive load ( $T_a=40^{\circ}C$ )	0.5					A
Surge current	$I_{FSM}$	Sine wave 10ms	10					A
Operating junction temperature	$T_j$		-40 to +140					$^{\circ}C$
Storage temperature	$T_{stg}$		-40 to +140					$^{\circ}C$

● Electrical characteristics ( $T_a=25^{\circ}C$  Unless otherwise specified)

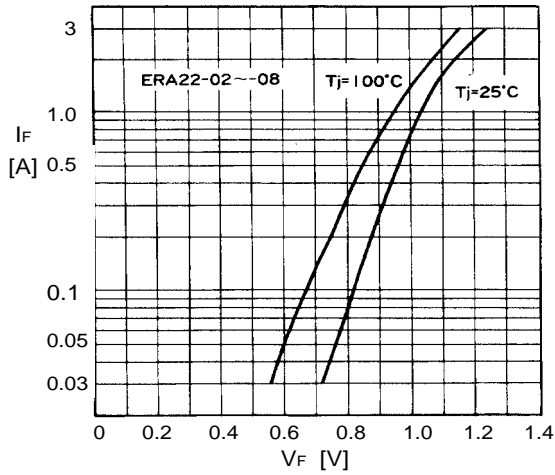
Item	Symbol	Conditions	Max.	Unit
Forward voltage drop	$V_{FM}$	$I_{FM}=0.5A$	1.5	V
Reverse current	$I_{RRM}$	$V_R=V_{RRM}$	10	$\mu A$
Reverse recovery time	$t_{rr}$	$I_F=0.1A, I_R=0.1A$	0.4	$\mu s$



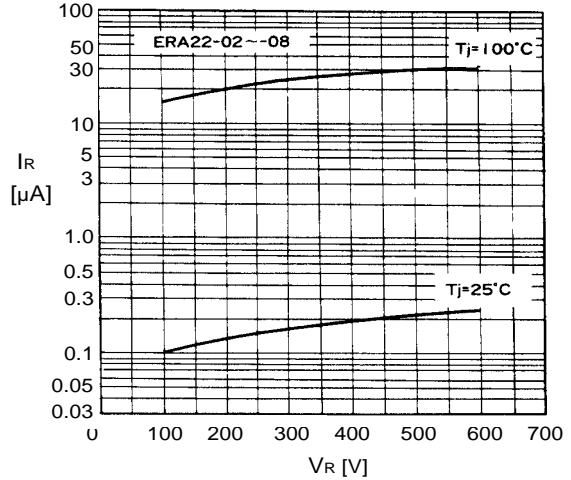
**RATINGS AND CHARACTERISTICS CURVES**

**ERA22-02 THRU ERA22-10**

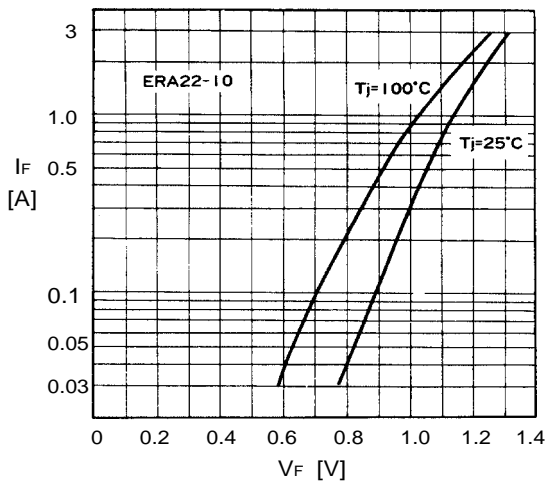
Forward characteristics



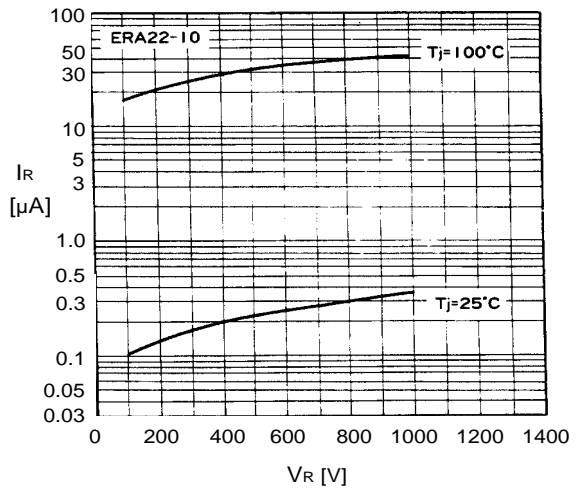
Reverse characteristics



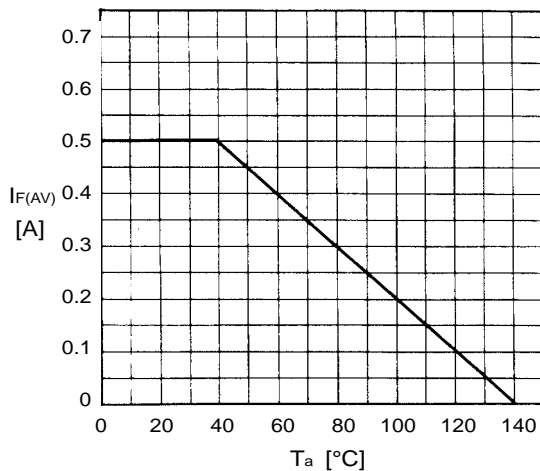
Forward characteristics



Reverse characteristics



Current derating (I<sub>F(AV)</sub>-T<sub>a</sub>)



Junction capacitance characteristics

