



Z86L825/826/827

***20-Pin Low-Voltage IR
Microcontrollers***

Preliminary Product Specification

PS008808-1203



This publication is subject to replacement by a later edition. To determine whether a later edition exists, or to request copies of publications, contact:

ZiLOG Worldwide Headquarters

532 Race Street
San Jose, CA 95126-3432
Telephone: 408.558.8500
Fax: 408.558.8300
www.ZiLOG.com

ZiLOG is a registered trademark of ZiLOG Inc. in the United States and in other countries. All other products and/or service names mentioned herein may be trademarks of the companies with which they are associated.

Document Disclaimer

©2003 by ZiLOG, Inc. All rights reserved. Information in this publication concerning the devices, applications, or technology described is intended to suggest possible uses and may be superseded. ZiLOG, INC. DOES NOT ASSUME LIABILITY FOR OR PROVIDE A REPRESENTATION OF ACCURACY OF THE INFORMATION, DEVICES, OR TECHNOLOGY DESCRIBED IN THIS DOCUMENT. ZiLOG ALSO DOES NOT ASSUME LIABILITY FOR INTELLECTUAL PROPERTY INFRINGEMENT RELATED IN ANY MANNER TO USE OF INFORMATION, DEVICES, OR TECHNOLOGY DESCRIBED HEREIN OR OTHERWISE. Devices sold by ZiLOG, Inc. are covered by warranty and limitation of liability provisions appearing in the ZiLOG, Inc. Terms and Conditions of Sale. ZiLOG, Inc. makes no warranty of merchantability or fitness for any purpose. Except with the express written approval of ZiLOG, use of information, devices, or technology as critical components of life support systems is not authorized. No licenses are conveyed, implicitly or otherwise, by this document under any intellectual property rights.



Table of Contents

Features	1
General Description	2
Pin Description	5
Absolute Maximum Ratings	6
Standard Test Conditions	7
Capacitance	7
DC Characteristics	8
AC Characteristics	10
Pin Functions	13
XTAL1 Crystal 1 (Time-Based Input)	13
XTAL2 Crystal 2 (Time-Based Output)	13
Port 0 (P00,01,07)	13
Port 2 (P27–P20)	15
Port 3 (P36–P31)	16
Comparator Inputs	17
Functional Description	19
Program Memory	19
RAM	19
Expanded Register File	19
Register File	31
Stack	32
Counter/Timer Registers	33
Counter/Timer Functional Blocks	42
Interrupts	53
Clock	55
Power-On Reset (POR)	56
HALT	57
STOP	57
Port Configuration Register (PCON)	58
Stop-Mode Recovery Register (SMR)	58
Stop-Mode Recovery Register 2 (SMR2)	63
Watch-Dog Timer Mode Register (WDTMR)	64
Mask Selectable Options	67
Brown-out Voltage/Standby	67



Ordering Information	68
Z86L825/826/827	70
Codes	71
Precharacterization Product	71
Customer Feedback Form	72
Z86L825/826/827 20-Pin Low-Voltage IR Microcontrollers	72
Customer Information	72
Product Information	72
Return Information	72
Problem Description or Suggestion	72



List of Figures

Figure 1. Counter/Timers Diagram	3
Figure 2. Functional Block Diagram	4
Figure 3. 20-Pin DIP/SOIC/SSOP Pin Assignment	5
Figure 4. Test Load Diagram	7
Figure 5. Timing Diagram	10
Figure 6. Port 0 Configuration	14
Figure 7. Port 2 Configuration	15
Figure 8. Port 3 Configuration	16
Figure 9. Port 3 Counter/Timer Output Configuration	18
Figure 10. Program Memory Map (32K ROM)	19
Figure 11. Expanded Register File Architecture	21
Figure 12. Register Pointer Register	22
Figure 13. TC8 Control Register—(0D) 0H: Read/Write Except Where Noted	22
Figure 14. T8 and T16 Common Control Functions—(0D) 1H: Read/Write	23
Figure 15. T16 Control Register—(0D) 2H: Read/Write Except Where Noted	24
Figure 16. Stop-Mode Recovery Register—(0F) 0BH: D6–D0 = Write Only, D7 = Read Only	25
Figure 17. Stop-Mode Recovery Register 2—(0F) 0DH: D2–D4, D6 Write Only	26
Figure 18. Watch-Dog Timer Register—(0F) 0FH: Write Only	26
Figure 19. Port Configuration Register (PCON)—(0F) 0H: Write Only	27
Figure 20. Port 2 Mode Register—F6H: Write Only	27
Figure 21. Port 3 Mode Register—F7H: Write Only	27
Figure 22. Port 0 and 1 Mode Register (F8h: Write Only)	28
Figure 23. Interrupt Priority Register—F9H: Write Only	29
Figure 24. Interrupt Request Register—FAH: Read/Write	29
Figure 25. Interrupt Mask Register—FBH: Read/Write	30
Figure 26. Flag Register—FCH: Read/Write	30
Figure 27. Register Pointer—FDH: Read/Write	31
Figure 28. Stack Pointer High—FEH: Read/Write	31
Figure 29. Stack Pointer Low—FFH: Read/Write	31
Figure 30. Register Pointer	32



Figure 31. Glitch Filter Circuitry	43
Figure 32. 8-Bit Counter/Timer Circuits	43
Figure 33. Transmit Mode Flowchart	45
Figure 34. T8_OUT in Single-Pass Mode	46
Figure 35. T8_OUT in Modulo-N Mode	46
Figure 36. Demodulation Mode Count Capture Flowchart	47
Figure 37. Demodulation Mode Flowchart	48
Figure 38. 16-Bit Counter/Timer Circuits	49
Figure 39. T16_OUT in Single-Pass Mode	50
Figure 40. T16_OUT in Modulo-N Mode	50
Figure 41. Ping-Pong Mode	52
Figure 42. Output Circuit	53
Figure 43. Interrupt Block Diagram	54
Figure 44. Oscillator Configuration	56
Figure 45. Port Configuration Register (PCON)—Write Only	58
Figure 46. Stop-Mode Recovery Register	59
Figure 47. SCLK Circuit	59
Figure 48. Stop-Mode Recovery Source	61
Figure 49. Stop-Mode Recovery Register 2—(0F) DH:D2–D4, D6 Write Only 63	
Figure 50. Watch-Dog Timer Mode Register—Write Only	65
Figure 51. Resets and WDT	66
Figure 52. 20-Pin SOIC Package Diagram	68
Figure 53. 20-Pin DIP Package Diagram	69
Figure 54. 20-Pin SSOP Package Diagram	70
Figure 55. Ordering Codes Example	71



List of Tables

Table 1.	Z86L825/826/827 Features	1
Table 2.	Power Conventions	3
Table 3.	20-Pin DIP, SOIC, and SSOP Pin Identification	5
Table 4.	Absolute Maximum Ratings	6
Table 5.	Capacitance	7
Table 6.	DC Characteristics	8
Table 7.	AC Characteristics	11
Table 8.	Pin Assignments	17
Table 9.	Expanded Register Group D	33
Table 10.	HI8(D)0Bh	33
Table 11.	L08(D)0Ah	34
Table 12.	HI16(D)09h	34
Table 13.	L016(D)08h	34
Table 14.	TC16H(D)07h	34
Table 15.	TC16L(D)06h	35
Table 16.	TC8H(D)05h	35
Table 17.	TC8L(D)04h	35
Table 18.	CTR0 (D)00 Counter/Timer8 Control Register	36
Table 19.	CTR1 Register	38
Table 20.	CTR2 (D)02h: Counter/Timer16 Control Register	41
Table 21.	Interrupt Types, Sources, and Vectors	54
Table 22.	IRQ Register	55
Table 23.	Stop-Mode Recovery Source	62
Table 24.	SMR2(F)0Dh: Stop-Mode Recovery Register 2	64
Table 25.	WDT Time Select	65
Table 26.	Mask Selectable Options	67



Features

Table 1 shows some of the features of the Z86L825/826/827 microcontrollers.

Table 1. Z86L825/826/827 Features

Device	ROM (KB)	RAM* (Bytes)	I/O Lines	Voltage Range
Z86L825	4	237	16	2.0 V to 3.6 V
Z86L826	8	237	16	2.0 V to 3.6 V
Z86L827	16	237	16	2.0 V to 3.6 V

Note: *General purpose

- Low power consumption—60 mW (typical)
- Three standby modes
 - STOP—2 μ A
 - HALT—0.8 mA
 - Low voltage
- Special architecture to automate both generation and reception of complex pulses or signals:
 - One programmable 8-bit counter/timer with two capture registers and two load registers
 - One programmable 16-bit counter/timer with one 16-bit capture register pair and one 16-bit load register pair
 - Programmable input glitch filter for pulse reception
- Six priority interrupts
 - Three external
 - Two assigned to counter/timers
 - One low battery voltage detection interrupt
- Low battery voltage detection with flag
- Programmable watch-dog/power-on reset circuits
- Two independent comparators with programmable interrupt polarity



- Mask selectable $200\pm 50\%$ $K\Omega$ transistor pull-ups on Ports 2 and 3. Port 0 always has pull-up selected.
 - Programmable mask options:
 - Oscillator selection: RC oscillator versus crystal or other clock source
 - Oscillator operational mode: normal high-frequency operation enabled or 32-KHz operation enabled
 - Port 2: 0–7 pull-ups
 - Port 3: pull-ups
 - Port 0: 0–3 Mouse Mode: Normal Mode ($.5V_{DD}$ input threshold) versus Mouse Mode ($.4V_{DD}$ input threshold)

General Description

The Z86L825/826/827 are ROM-based members of the Z8 MCU single-chip family of IR (infrared) with 237 bytes of general-purpose RAM and 4 KB of ROM. ZiLOG's CMOS microcontrollers offer fast executing, efficient use of memory, sophisticated interrupts, input/output bit manipulation capabilities, automated pulse generation/reception, and internal key-scan pull-up transistors.

The Z86L825 architecture is based on ZiLOG's 8-bit microcontroller core with an Expanded Register File to allow access to register mapped peripherals, I/O circuits, and powerful counter/timer circuitry. The Z8 offers a flexible I/O scheme, an efficient register and address space structure, and a number of ancillary features that are useful in many consumer, automotive, computer peripheral, and battery operated hand-held applications.

The register file consists of 256 bytes of RAM. It includes three I/O port registers, 16 control and status registers and the rest are General Purpose registers. Register FEh (SPH) can be used as general purpose register. The Expanded Register File consists of two additional register groups (F and D).

The Z86L825 offers a new intelligent counter/timer architecture with 8-bit and 16-bit counter/timers (Figure 1). Also included are a large number of user-selectable modes, and two on-board comparators to process analog signals with separate reference voltages.

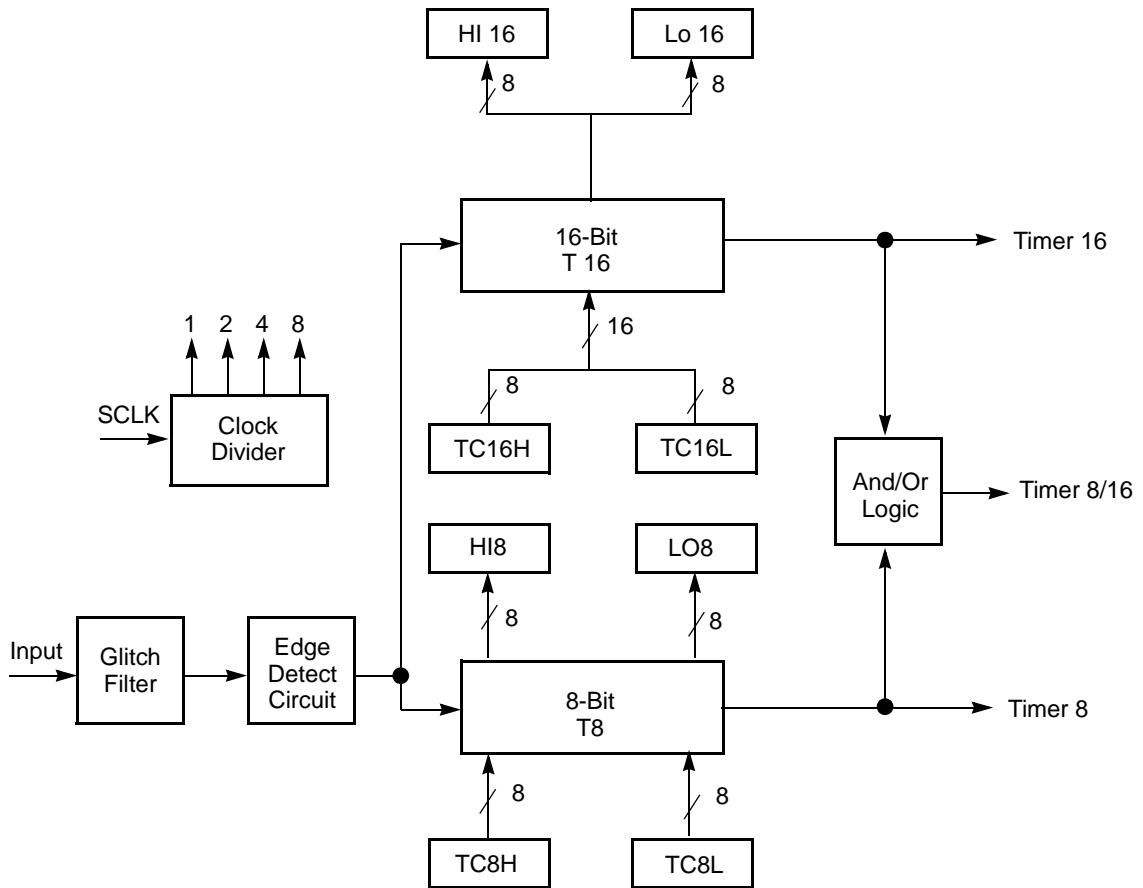


Figure 1. Counter/Timers Diagram

► **Note:** All signals with an overline, “ $\bar{}$ ”, are active Low. For example, $\overline{B/W}$, in which WORD is active Low), and $\overline{B/W}$, in which BYTE is active Low.

Power connections follow the conventions listed in Table 2.

Table 2. Power Conventions

Connection	Circuit	Device
Power	V_{CC}	V_{DD}
Ground	GND	V_{SS}

Figure 2 shows the functional block diagram.

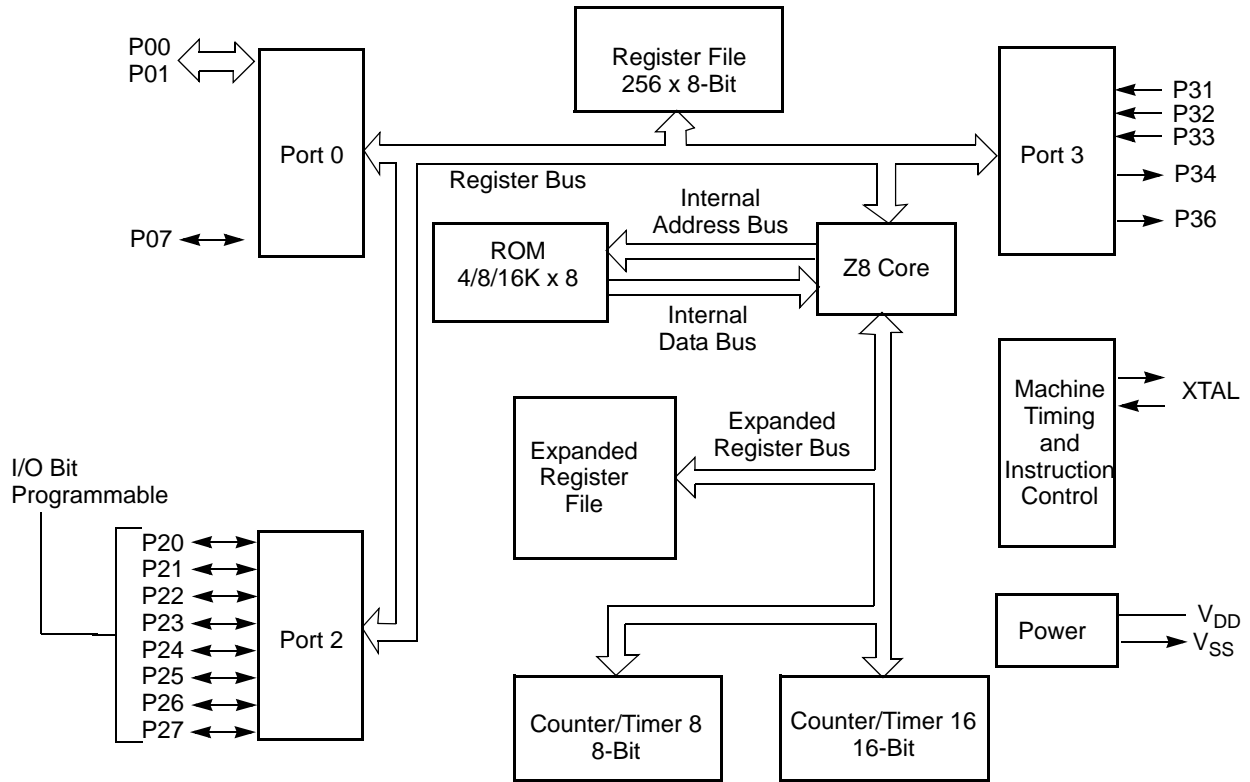


Figure 2. Functional Block Diagram

Pin Description

The pin assignment for the 20-pin dual in-line package (DIP)/small outline integrated circuit (SOIC)/shrink small outline package (SSOP) is shown in Figure 3. The pins are identified in Table 3.

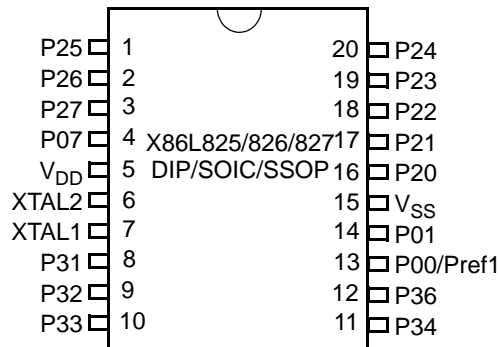


Figure 3. 20-Pin DIP/SOIC/SSOP Pin Assignment

Table 3. 20-Pin DIP, SOIC, and SSOP Pin Identification

20-Pin DIP/SOIC/SSOP	Standard Mode	Direction	Description
1	P25	Input/Output	P20-27 are bit configurable as input or output.
2	P26	Input/Output	P20-27 are bit configurable as input or output.
3	P27	Input/Output	P20-27 are bit configurable as input or output.
4	P07	Input/Output	Port 07 is configurable as input or output
5	V _{DD}		Power Supply
6	XTAL2	Output	Crystal, Oscillator Clock
7	XTAL1	Input	Crystal, Oscillator Clock
8	P31	Input	IRQ2/Modulator input
9	P32	Input	IRQ0
10	P33	Input	IRQ1
11	P34	Output	T8 output
12	P36	Output	T8/T16 output
13	P00	Input/Output	Port 00,01 are configurable as input or output
14	P01	Input/Output	Port 00,01 are configurable as input or output
15	V _{SS}		Ground
16	P20	Input/Output	P20-27 are bit configurable as input or output.



Table 3. 20-Pin DIP, SOIC, and SSOP Pin Identification (Continued)

20-Pin DIP/SOIC/SSOP	Standard Mode	Direction	Description
17	P21	Input/Output	P20-27 are bit configurable as input or output.
18	P22	Input/Output	P20-27 are bit configurable as input or output.
19	P23	Input/Output	P20-27 are bit configurable as input or output.
20	P24	Input/Output	P20-27 are bit configurable as input or output.

Absolute Maximum Ratings

Table 4 lists the absolute maximum ratings for the Z86L825/826/827 microcontrollers.

Table 4. Absolute Maximum Ratings

Symbol	Description	Min	Max	Units
V_{max}	Supply Voltage (*)	-0.3	+7.0	V
T_{STG}	Storage Temperature	-65°	+150°	C
T_A	Oper. Ambient Temperature		†	C

Notes:

* Voltage on all pins with respect to GND

† See "Ordering Information" on page 68.

Stresses greater than those listed under Absolute Maximum Ratings may cause permanent damage to the device. This rating is a stress rating only. Functional operation of the device at any condition above those indicated in the operational sections of these specifications is not implied. Exposure to absolute maximum rating conditions for an extended period may affect device reliability.

Standard Test Conditions

The characteristics listed below apply for standard test conditions as noted. All voltages are referenced to GND. Positive current flows into the referenced pin (Figure 4).

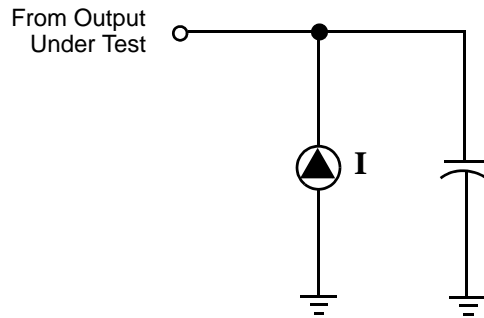


Figure 4. Test Load Diagram

Capacitance

Table 5 lists the capacitance for the Z86L825/826/827 microcontrollers.

Table 5. Capacitance

Parameter	Max
Input capacitance	12 pF
Output capacitance	12 pF
I/O capacitance	12 pF

Note: $T_A = 25^\circ\text{C}$, $V_{CC} = \text{GND} = 0\text{V}$, $f = 1.0\text{ MHz}$, unmeasured pins returned to GND.

DC Characteristics

Table 6 lists the direct current (DC) characteristics.

Table 6. DC Characteristics

Symbol	Parameter	$T_A = 0\text{ }^{\circ}\text{C to }+70\text{ }^{\circ}\text{C}$		Units	Conditions	Notes	
		V_{CC}	Min				Max
	Max Input Voltage	2.0 V		7	V	$I_{IN} < 250\text{ }\mu\text{A}$	
		3.6 V		7	V	$I_{IN} < 250\text{ }\mu\text{A}$	
V_{CH}	Clock Input High Voltage	2.0 V	$0.8 V_{CC}$	$V_{CC} + 0.3\text{ V}$	V	Driven by External Clock Generator	
		3.6 V	$0.8 V_{CC}$	$V_{CC} + 0.3\text{ V}$	V	Driven by External Clock Generator	
V_{CL}	Clock Input Low Voltage	2.0 V	$V_{SS}-0.3$	$0.2 V_{CC}$	V	Driven by External Clock Generator	
		3.6 V	$V_{SS}-0.3$	$0.2 V_{CC}$	V	Driven by External Clock Generator	
V_{IH}	Input High Voltage	2.0 V	$0.7 V_{CC}$	$V_{CC} + 0.3\text{ V}$	V		
		3.6 V	$0.7 V_{CC}$	$V_{CC} + 0.3\text{ V}$	V		
V_{IL}	Input Low Voltage	2.0 V	$V_{SS}-0.3$	$0.2 V_{CC}$	V		
		3.6 V	$V_{SS}-0.3$	$0.2 V_{CC}$	V		
V_{OH1}	Output High Voltage	2.0 V	$V_{CC}-0.4$		V	$I_{OH} = -0.5\text{ mA}$	
		3.6 V	$V_{CC}-0.4$		V	$I_{OH} = -0.5\text{ mA}$	
V_{OH2}	Output High Voltage (P00, P01, P36)	2.0 V	$V_{CC}-0.8$		V	$I_{OH} = -7\text{ mA}$	
		3.6 V	$V_{CC}-0.8$		V	$I_{OH} = -7\text{ mA}$	
V_{OL1}	Output Low Voltage	2.0 V		0.4	V	$I_{OL} = 1.0\text{ mA}$	
		3.6 V		0.4	V	$I_{OL} = 4.0\text{ mA}$	
V_{OL2*}	Output Low Voltage	2.0 V		0.8	V	$I_{OL} = 5.0\text{ mA}$	
		3.6 V		0.8	V	$I_{OL} = 7.0\text{ mA}$	
V_{OL2}	Output Low Voltage (P00, P01, P36)	2.0 V		0.8	V	$I_{OL} = 10\text{ mA}$	1
		3.6 V		0.8	V	$I_{OL} = 10\text{ mA}$	
V_{OFFSET}	Comparator Input Offset Voltage	2.0 V		25	mV		
		3.6 V		25	mV		
I_{IL}	Input Leakage	2.0 V	-1	1	μA	$V_{IN} = 0_V, V_{CC}$	
		3.6 V	-1	1	μA	$V_{IN} = 0_V, V_{CC}$	
I_{OL}	Output Leakage	2.0 V	-1	1	μA	$V_{IN} = 0_V, V_{CC}$	
		3.6 V	-1	1	μA	$V_{IN} = 0_V, V_{CC}$	



Table 6. DC Characteristics (Continued)

Symbol	Parameter	$T_A = 0\text{ }^\circ\text{C to }+70\text{ }^\circ\text{C}$			Units	Conditions	Notes
		V_{CC}	Min	Max			
I_{CC}	Supply Current	2.0 V		10	mA	@ 8.0 MHz	2, 3
		3.6 V		15	mA	@ 8.0 MHz	2, 3
		2.0 V		250	μA	@ 32 kHz	2, 3, 8
		3.6 V		850	μA	@ 32 kHz	2, 3, 8
I_{CC1}	Standby Current (HALT Mode)	2.0 V		3	mA	$V_{IN} = 0_V, V_{CC}$ @ 8.0 MHz	2, 3
		3.6 V		5	mA	Same as above	2, 3
		2.0 V		2	mA	Clock Divide-by-16 @ 8.0 MHz	2, 3
		3.6 V		4	mA	Same as above	2, 3
I_{CC2}	Standby Current (STOP Mode)	2.0 V		8	μA	$V_{IN} = 0_V, V_{CC}$ WDT is not Running	4, 6, 9
		3.6 V		10	μA	Same as above	4, 6, 9
		2.0 V		500	μA	$V_{IN} = 0_V, V_{CC}$ WDT is Running	4, 6, 9
		3.6 V		800	μA	Same as above	4, 6, 9
I_{LV}	Standby Current (Low Voltage)	2.0 V		15	μA	$V_{CC} < V_{BO}$	
		3.6 V		20	μA	Same as above	
T_{POR}	Power-On Reset	2.0 V	12	75	ms		
		3.6 V	5	20	ms		
V_{BO}	V_{CC} Low Voltage Protection			2.20	V	8 MHz max Ext. CLK Freq.	5

Notes:

1. All outputs excluding P00, P01, and P36
2. All outputs unloaded, inputs at rail.
3. $CL1 = CL2 = 100\text{ pF}$
4. Same as note [4] except inputs at V_{CC} .
5. The V_{BO} increases as the temperature decreases.
6. Oscillator stopped
7. Oscillator stops when V_{CC} falls below V_{LV} limit
8. 32 kHz clock driver input
9. WDT, Comparators, Low Voltage Detection, and ADC (if applicable) are disabled. The IC might draw more current if any of the above peripherals is enabled.

AC Characteristics

This section discusses the alternating current (AC) characteristics. The timing diagram is shown in Figure 5 and described in Table 7.

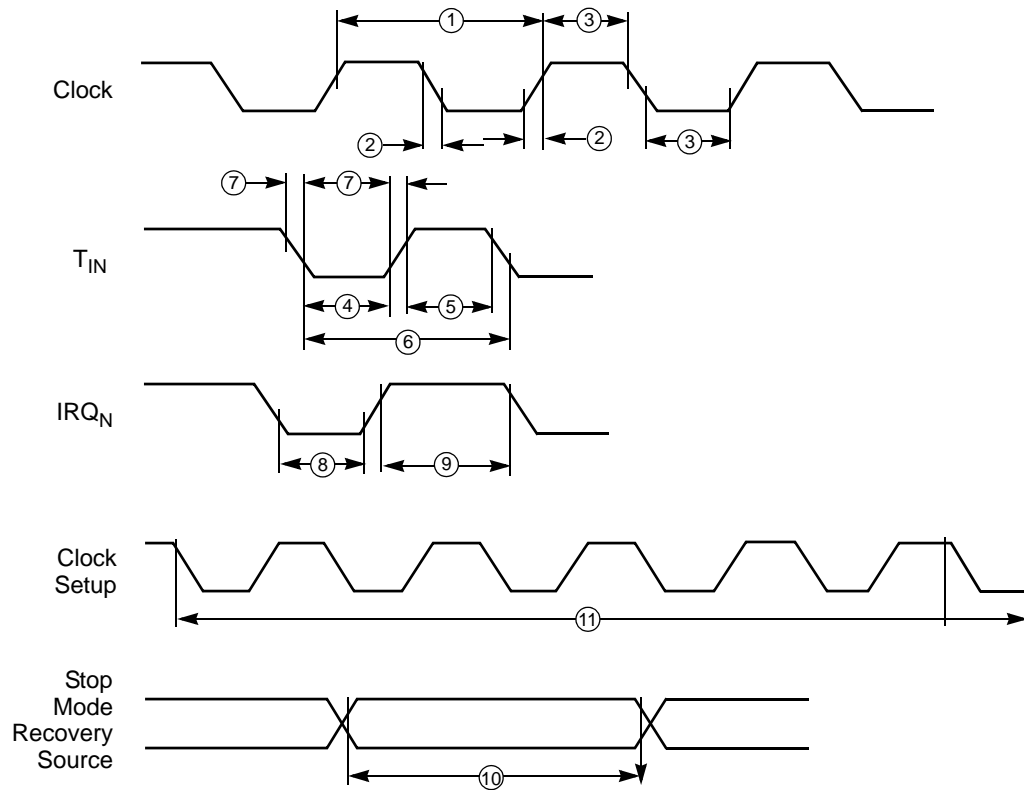


Figure 5. Timing Diagram



Table 7. AC Characteristics

Number	Symbol	Parameter	$T_A = 0^\circ\text{C to } +70^\circ\text{C}$ 8.0 MHz				Notes	Stop-Mode Recovery (D1, D0)
			V_{CC}	Min	Max	Units		
1	TpC	Input Clock Period	2.0 V	121	DC	ns	1	
			3.6 V	121	DC	ns	1	
2	TrC,TfC	Clock Input Rise and Fall Times	2.0 V		25	ns	1	
			3.6 V		25	ns	1	
3	TwC	Input Clock Width	2.0 V	37		ns	1	
			3.6 V	37		ns	1	
4	TwTinL	Timer Input Low Width	2.0 V	100		ns	1	
			3.6 V	70		ns	1	
5	TwTinH	Timer Input High Width	2.0 V	3TpC			1	
			5.5 V	3TpC			1	
6	TpTin	Timer Input Period	2.0 V	8TpC			1	
			3.6 V	8TpC			1	
7	TrTin,TfTin	Timer Input Rise and Fall Times	2.0 V		100	ns	1	
			3.6 V		100	ns	1	
8A	TwIL	Interrupt Request Low Time	2.0 V	100		ns	1, 2	
			3.6 V	70		ns	1, 2	
8B	TwIL	Interrupt Request Low Time	2.0 V	5TpC			1	
			3.6 V	5TpC			1	
9	TwIH	Interrupt Request Input High Time	2.0 V	5TpC			1, 2	
			3.6 V	5TpC			1, 2	
10	Twsm	Stop-Mode Recovery Width Spec	2.0 V	12		ns		
			3.6 V	12		ns		
			2.0 V	5 TpC		ns		
			3.6 V	5 TpC		ns		
11	Tost	Oscillator Start-Up Time	2.0 V		5TpC		4	
			3.6 V		5TpC		4	



Table 7. AC Characteristics (Continued)

Number	Symbol	Parameter	$T_A = 0^\circ\text{C to } +70^\circ\text{C}$ 8.0 MHz				Notes	Stop-Mode Recovery (D1, D0)
			V_{CC}	Min	Max	Units		
12	Twdt	Watch-Dog Timer Delay Time	2.0 V	20		ms	5	0, 0
			3.6 V	7.5		ms	5	
			2.0 V	20		ms	5	0, 1
			3.6 V	7.5		ms	5	
		(60 ms)	2.0 V	40		ms	5	1, 0
			3.6 V	15		ms	5	
			2.0 V	160		ms	5	1, 1
			3.6 V	60		ms	5	

Notes:

1. Timing Reference uses 0.9 V_{CC} for a logic 1 and 0.1 V_{CC} for a logic 0.
2. Interrupt request through Port 3 (P33–P31).
3. N/A
4. SMR – D5 = 0.
5. For internal RC oscillator.



Pin Functions

XTAL1 Crystal 1 (Time-Based Input)

This pin connects a parallel-resonant crystal, ceramic resonator, LC, or RC network or an external single-phase clock to the on-chip oscillator input.

XTAL2 Crystal 2 (Time-Based Output)

This pin connects a parallel-resonant crystal, ceramic resonant, LC, or RC network to the on-chip oscillator output.

Port 0 (P00,01,07)

Port 0 is a 3-bit, bidirectional, CMOS-compatible port. These three I/O lines are configured under software control as a nibble I/O port. The output drivers are push-pull or open drain controlled by bit D2 in the PCON register.

If one or both nibbles are required for I/O operation, they must be configured by writing to the Port 0 mode register. After a hardware reset, Port 0 is configured as an input port.

A mask option is available to program 0.4 V_{DD} CMOS trip inputs on P00–P01. This allows direct interface to mouse/trackball IR sensors.

Port 0 has a $200 \pm 50\%K\Omega$ s pull-up transistor built in. See Figure 6.

- **Note:** Internal pull-ups are disabled on any given pin or group of port pins when programmed into output mode.

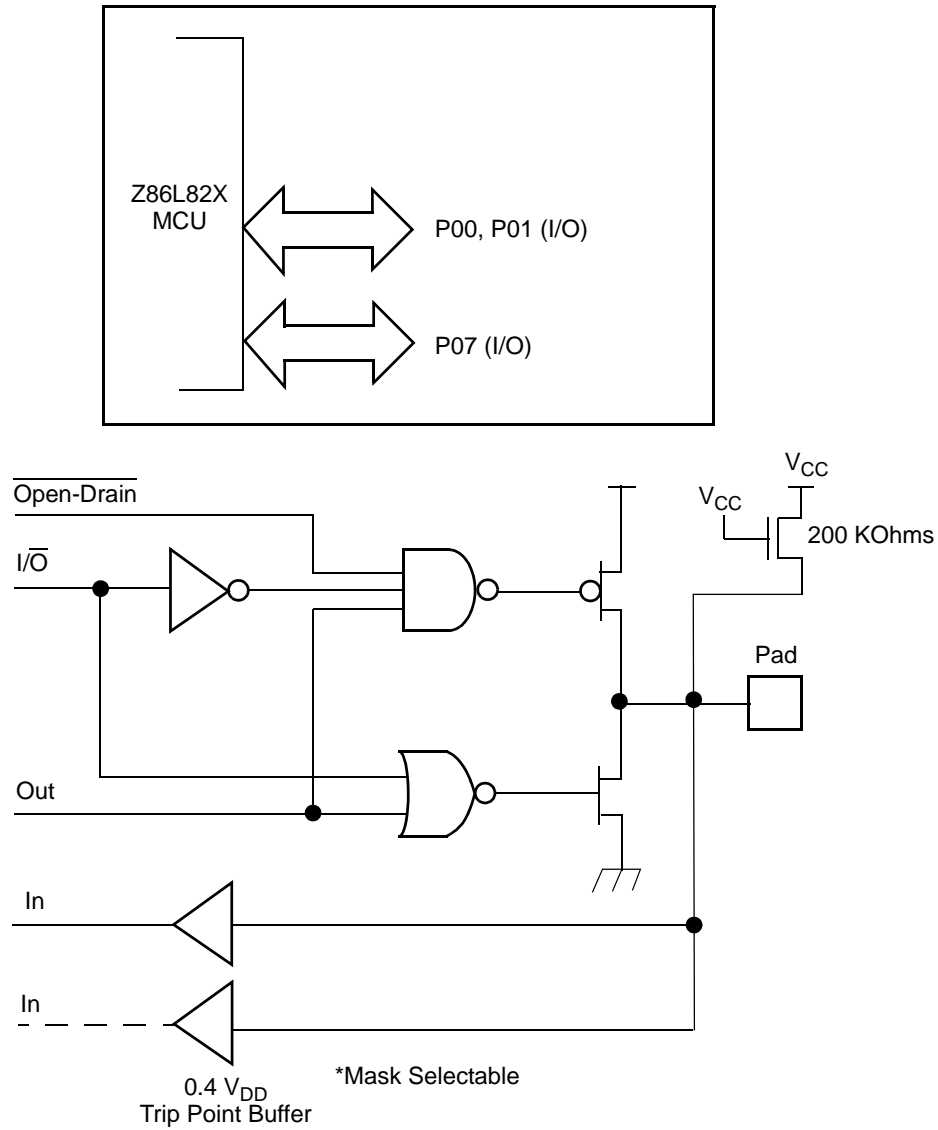


Figure 6. Port 0 Configuration

Port 2 (P27–P20)

Port 2 is an 8-bit, bidirectional, CMOS-compatible I/O port. These eight I/O lines can be independently configured under software control as inputs or outputs. Port 2 is always available for I/O operation. A mask option is available to connect eight 200 K Ω ($\pm 50\%$) pull-up transistors on this port. Bits programmed as outputs are globally programmed as either push-pull or open-drain. The POR resets with the eight bits of Port 2 configured as inputs.

Port 2 also has an 8-bit input OR and an AND gate that can be used to wake up the part. P20 can be programmed to access the edge-detection circuitry in demodulation mode. See Figure 7.

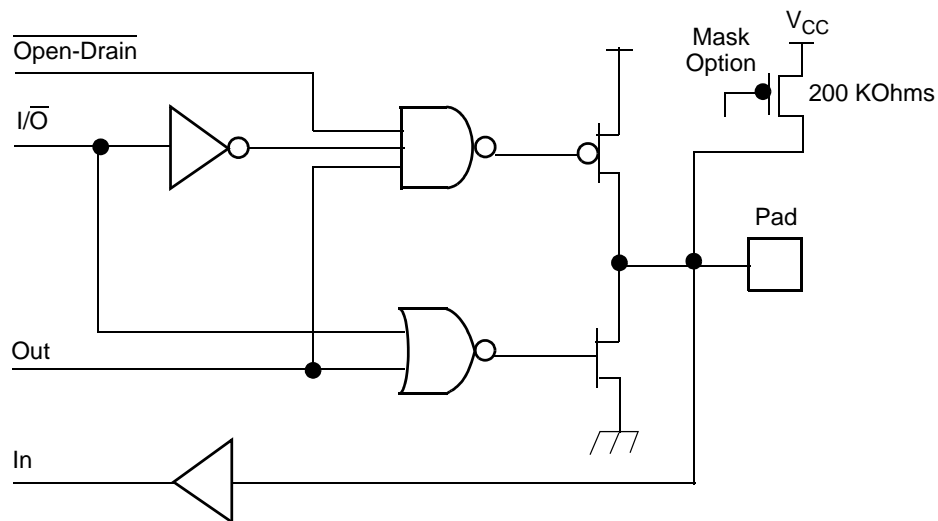
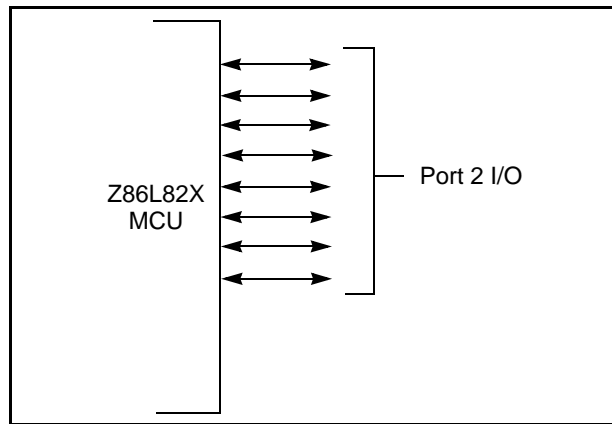


Figure 7. Port 2 Configuration

Port 3 (P36–P31)

Port 3 (see Figure 8) is a 5-bit, CMOS-compatible port consisting of three fixed inputs (P33–P31) and two fixed outputs (P36 and P34). Port 3 can be configured under software control for interrupt and output from the counter/timers. P31, P32, and P33 are standard CMOS inputs; P34 and P36 are push-pull outputs.

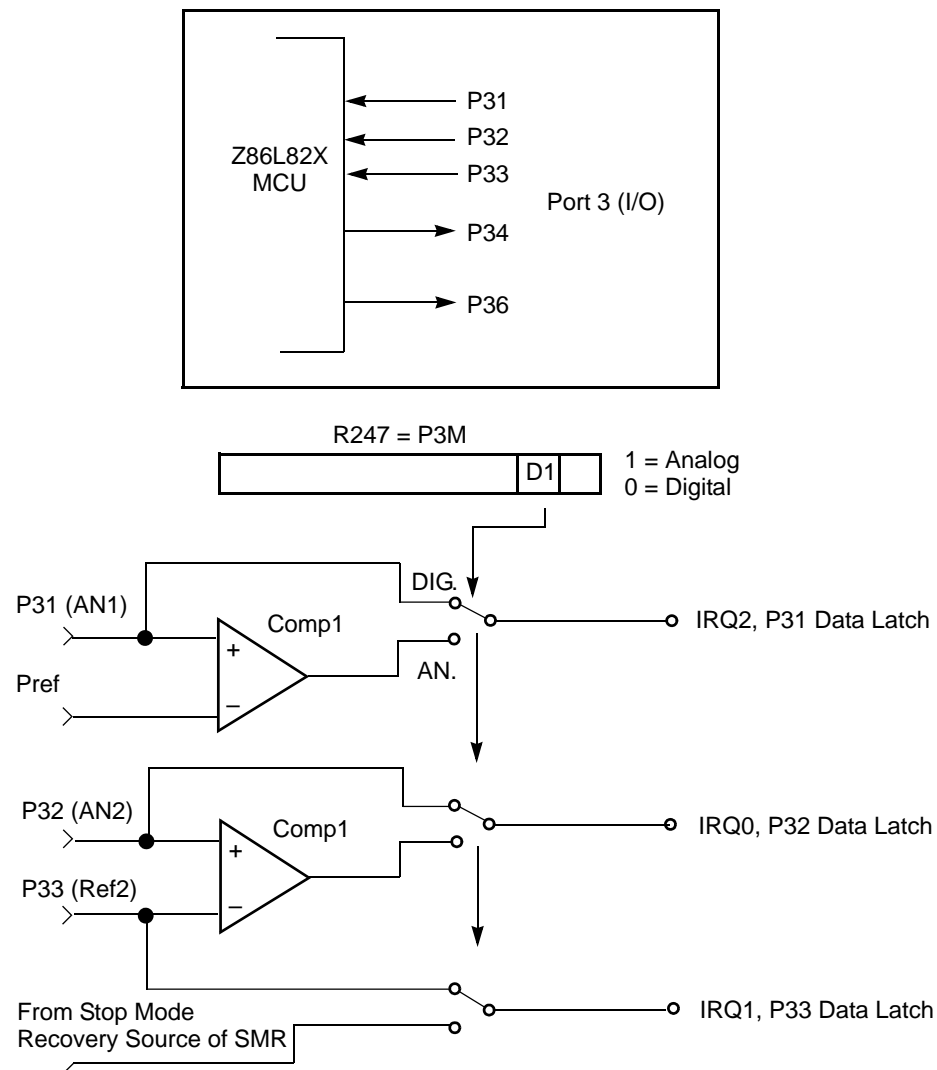


Figure 8. Port 3 Configuration

One on-board comparator processes analog signals on P32 with reference to the voltage on P33. The analog function is enabled by programming the Port 3 Mode Register (bit 1). P31 and P32 are programmable as rising, falling, or both



edge-triggered interrupts (IRQ register bits 6 and 7). P33 is the comparator reference voltage input. Access to the counter/timer edge-detection circuit is through P31 or P20 (see “CTR1 Register” on page 38). Other edge-detect and IRQ modes are described in Table 8.

Table 8. Pin Assignments

Pin	I/O	C/T	Comp.	Int.
P31	IN	IN	AN1	IRQ2
P32	IN		AN2	IRQ0
P33	IN		RF2	IRQ1
P34	OUT	T8	AO1	
P36	OUT	T8/16		
P20	I/O	IN		

Port 3 also provides output for the counter/timers and the AND/OR logic. Control is performed by programming bits D5–D4 of CTR1 and bit 0 of CTR0.

Comparator Inputs

In analog mode, P32 and P33 have a comparator front end. The comparator reference is supplied to P33. In this mode, the P33 internal data latch and its corresponding IRQ1 are diverted to the SMR sources (excluding P31, P32, and P33) as indicated in Figure 8. In digital mode, P33 is used as D3 of the Port 3 input register, which then generates IRQ1.

- ▶ **Note:** Comparators are powered down by entering STOP Mode. For P31–P33 to be used in a Stop-Mode Recovery source, these inputs must be placed into digital mode.

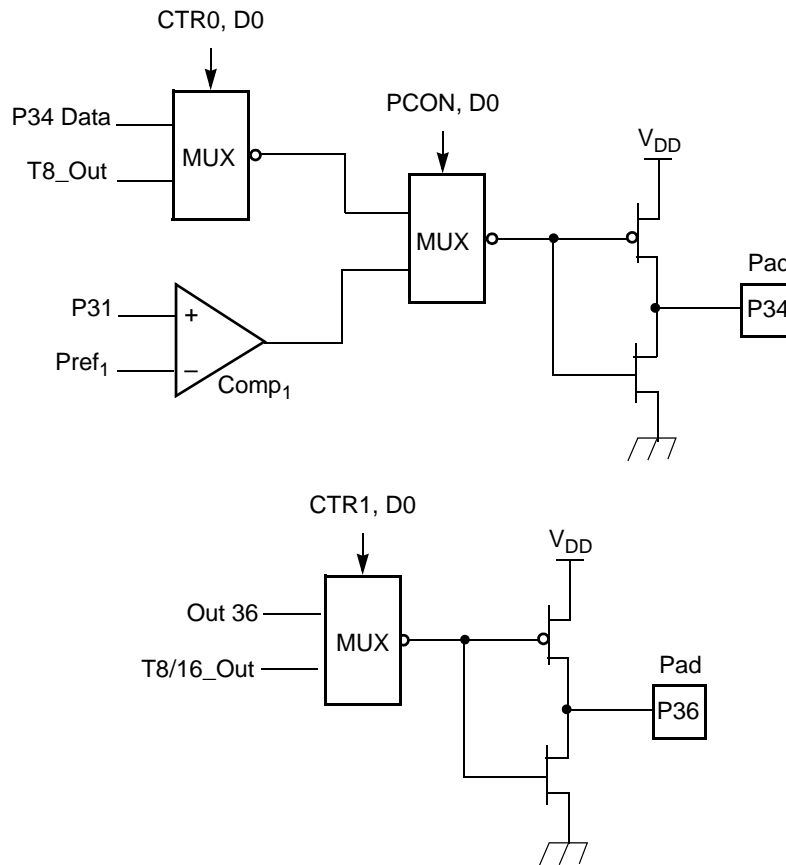


Figure 9. Port 3 Counter/Timer Output Configuration

Functional Description

The Z86L82X incorporates special functions to enhance the Z8's functionality in consumer and battery-operated applications.

Program Memory

The Z86L82X family addresses 4/8/16 KB of internal program memory. The first 12 bytes are reserved for interrupt vectors. These locations contain the five 16-bit vectors that correspond to the five available interrupts.

RAM

The Z86L82X device has 237 bytes of RAM that make up the register file.

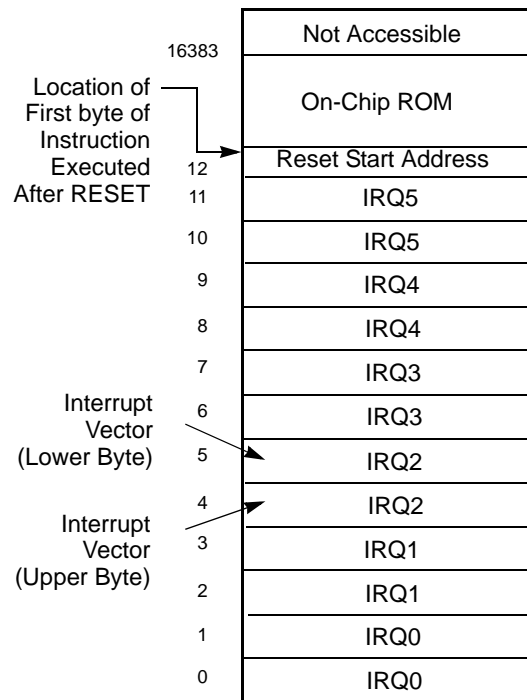


Figure 10. Program Memory Map (32K ROM)

Expanded Register File

The register file has been expanded to allow for additional system control registers and for mapping of additional peripheral devices into the register address area. The Z8 register address space R0 through R15 has been implemented as



16 banks of 16 registers per bank. These register groups are known as the ERF (Expanded Register File). Bits 7–4 of register RP select the working register group. Bits 3–0 of register RP select the expanded register file bank.

► **Note:** An expanded register bank is also referred to as an expanded register group (see Figure 11).

The upper nibble of the register pointer (Figure 12 on page 22) selects which working register group of 16 bytes in the register file, out of the possible 256, is accessed. The lower nibble selects the expanded register file bank and, in the case of the Z86L82X family, banks 0, F, and D are implemented. A 0h in the lower nibble allows the normal register file (bank 0) to be addressed, but any other value from 1h to Fh exchanges the lower 16 registers to an expanded register bank. For example, for the Z86L82X (see Figure 11):

```
R253 RP = 00h
      R0 = Port 0
      R1 = Port 1
      R2 = Port 2
      R3 = Port 3
```

But if:

```
R253 RP = 0Dh
      R0 = CTRL0
      R1 = CTRL1
      R2 = CTRL2
      R3 = Reserved
```

The counter/timers are mapped into ERF group D. Access is easily performed using the following:

```
LD      RP, #0Dh      ; Select ERF D for access to bank D
                          ; (working register group 0)
LD      R0,#xx        ; load CTRL0
LD      1,#xx         ; load CTRL1
LD      R1, 2         ; CTRL2→CTRL1

LD      RP, #0Dh      ; Select ERF D for access to bank D
                          ; (working register group 0)
LD      RP, #7Dh      ; Select expanded register bank D
                          ; working register group 7 of bank 0
                          ; for access.
LD      71h, 2        ; CTRL2→register 71h
LD      R1, 2         ; CTRL2→register 71h
```

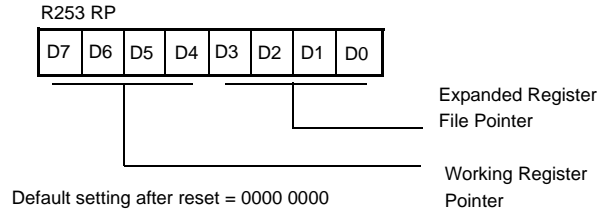



Figure 12. Register Pointer Register

Expanded Register File Control Registers (0D)

Figure 13, Figure 14, and Figure 15 show the expanded register file control registers (0D).

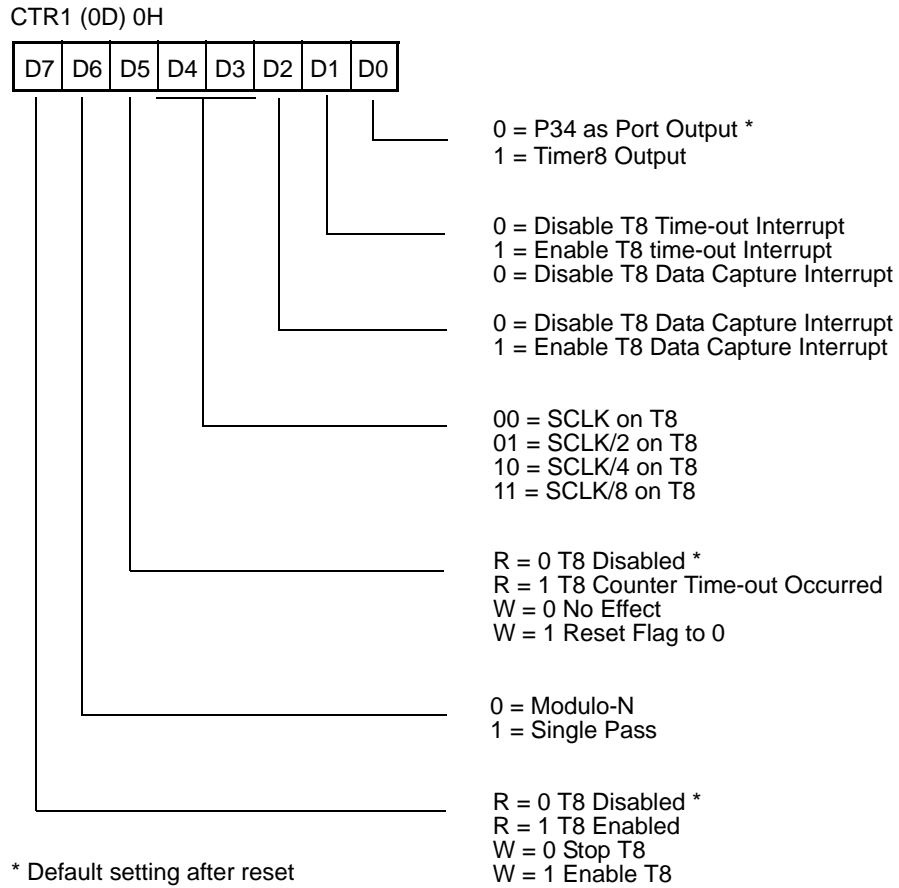
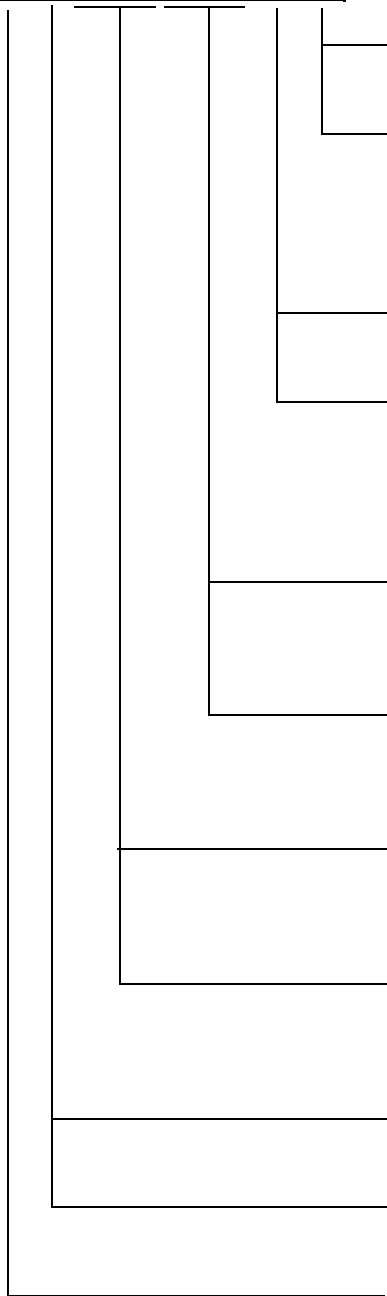


Figure 13. TC8 Control Register—(0D) 0H: Read/Write Except Where Noted



CTR1 (0D) 1H

D7	D6	D5	D4	D3	D2	D1	D0
----	----	----	----	----	----	----	----



- Transmit Mode
R/W 0 T16_OUT is 0 initially
R/W 1 T16_OUT is 1 initially
- Demodulation Mode
R 0 = No Falling Edge Detection
R 1 = Falling Edge Detection
- W 0 = No Effect
W 1 = Reset Flag to 0

- Transmit Mode
R/W 0 = T8_OUT is 0 initially
R/W 1 = T8_OUT is 1 initially
- Demodulation Mode
R 0 = No Rising Edge Detection
R 1 = Rising Edge Detection
- W 0 = No Effect
W 1 = Reset flag to 0

- Transmit Mode
0 0 = Normal Operation
0 1 = Ping-Pong Mode
1 0 T16_OUT = 0
1 1 T16_OUT = 1
- Demodulation Mode
0 0 = No Filter
0 1 = 4 SCLK Cycle Filter
1 0 = 8 SCLK Cycle Filter
1 1 = Reserved

- Transmit Mode/T8/T16 Logic
0 0 = AND
0 1 = OR
1 0 = NOR
1 1 = NAND
- Demodulation Mode
0 0 = Falling Edge Detection
0 1 = Rising Edge Detection
1 0 = Both Edge Detection
1 1 = Reserved

- Transmit Mode
0 = P36 as Port Out put *
1 = P36 as T8/T16_OUT
- Demodulation Mode
0 = P31 as Demodulator Input
1 = P20 as Demodulator Input

- Transmit/Demodulation Modes
0 = Transmit Mode *
1 = Demodulation Mode

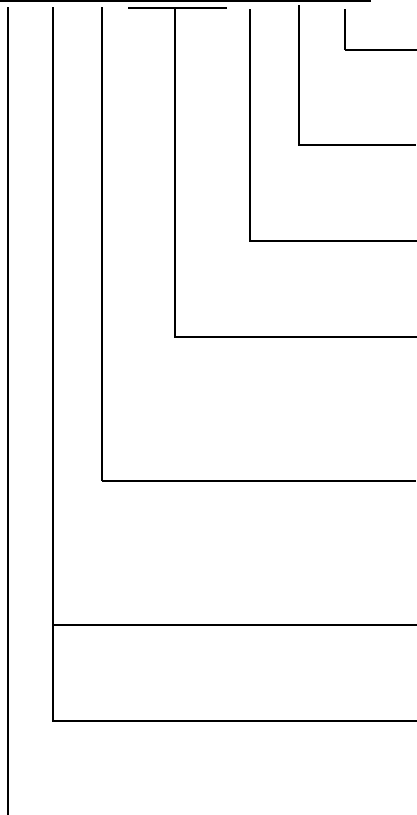
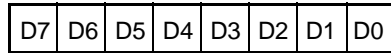
Note: Care must be taken in differentiating transmit mode from demodulation mode. Depending on which of these two modes is operating, the CTR1 bit has different functions.

Note: Changing from one mode to another cannot be done without disabling the counter/timers.

* Default setting after reset

Figure 14. T8 and T16 Common Control Functions—(0D) 1H: Read/Write

CTR2 (0D) 02H



0 = P35 is Port Output *
1 = P35 is Timer16 Output

0 = Disable T16 Time-out Interrupt
1 = Enable T16 time-out Interrupt

0 = Disable T16 Data Capture Interrupt
1 = Enable T16 Data Capture Interrupt

00 = SCLK on T16
01 = SCLK/2 on T16
10 = SCLK/4 on T16
11 = SCLK/8 on T16

R = 0 No T16 Time-out
R = 1 T16 Time-out Occurs
W = 0 No Effect
W = 1 Reset Flag to 0

Transmit Mode
0 = Modulo-N for T16
1 = Single Pass for T16

Demodulator Mode
0 = T16 Recognizes Edge
1 = T16 Does Not Recognize Edge

R = 0 T16 Disabled *
R = 1 T16 Enabled
W = 0 Stop T16
W = 1 Enable T16

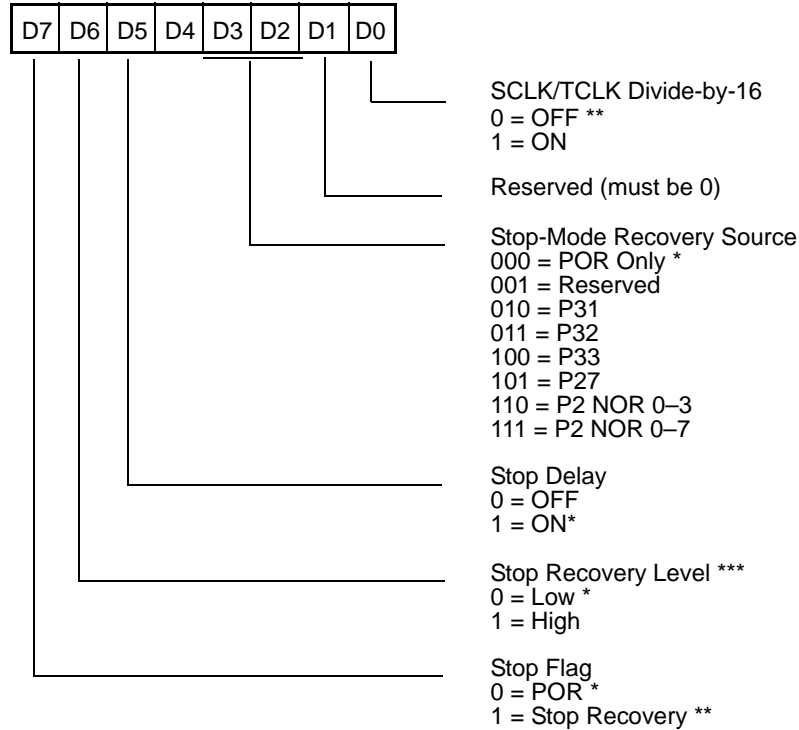
* Default setting after reset

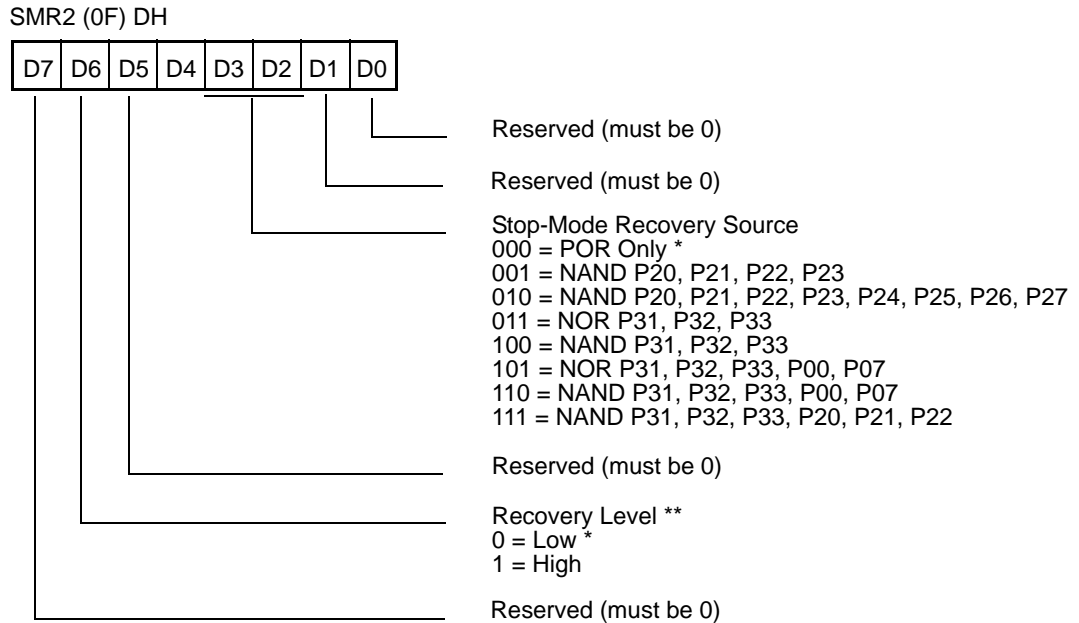
Figure 15. T16 Control Register—(0D) 2H: Read/Write Except Where Noted

Expanded Register File Control Registers (0F)

Figure 16 through Figure 29 show the expanded register file control registers (0F).

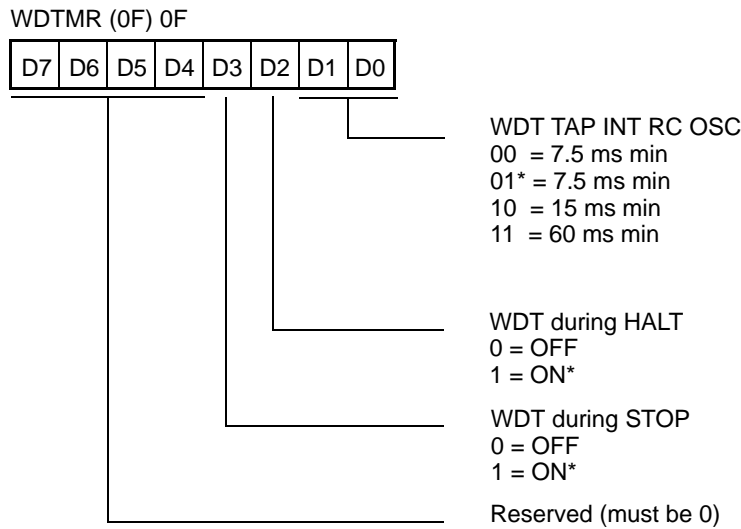
SMR (0F) 0B





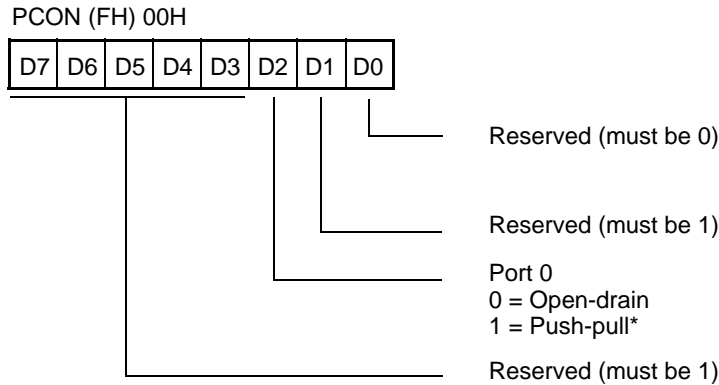
* Default setting after reset
 ** At the XOR gate input

Figure 17. Stop-Mode Recovery Register 2—(0F) 0DH: D2–D4, D6 Write Only



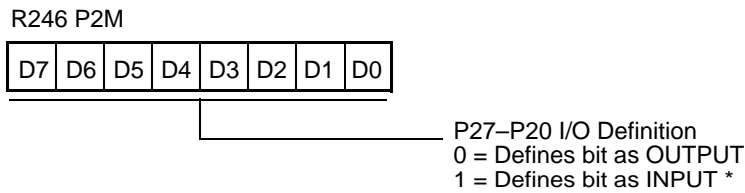
* Default setting after reset

Figure 18. Watch-Dog Timer Register—(0F) 0FH: Write Only



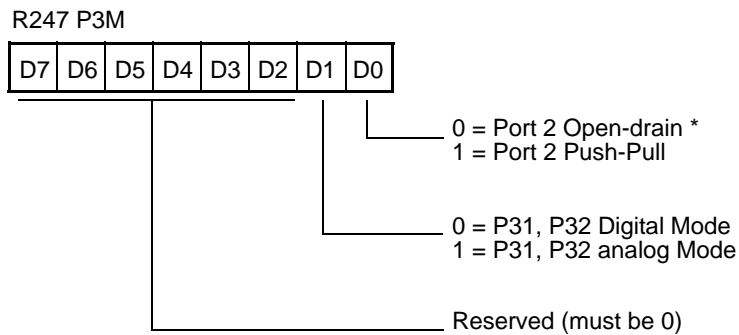
*Default setting after reset

Figure 19. Port Configuration Register (PCON)—(0F) 0H: Write Only



*Default setting after reset

Figure 20. Port 2 Mode Register—F6H: Write Only



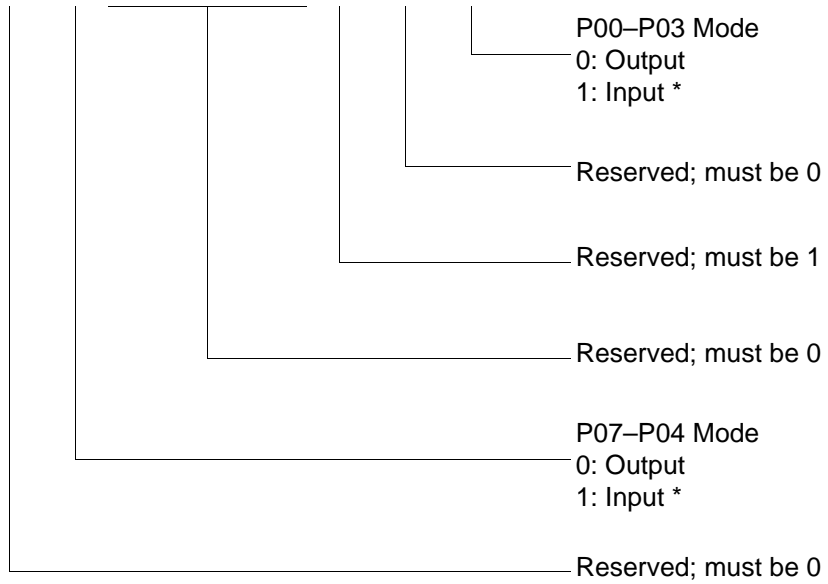
*Default setting after reset

Figure 21. Port 3 Mode Register—F7H: Write Only



R248 P01M

D7	D6	D5	D4	D3	D2	D1	D0
----	----	----	----	----	----	----	----



* Default setting after reset

Figure 22. Port 0 and 1 Mode Register (F8h: Write Only)

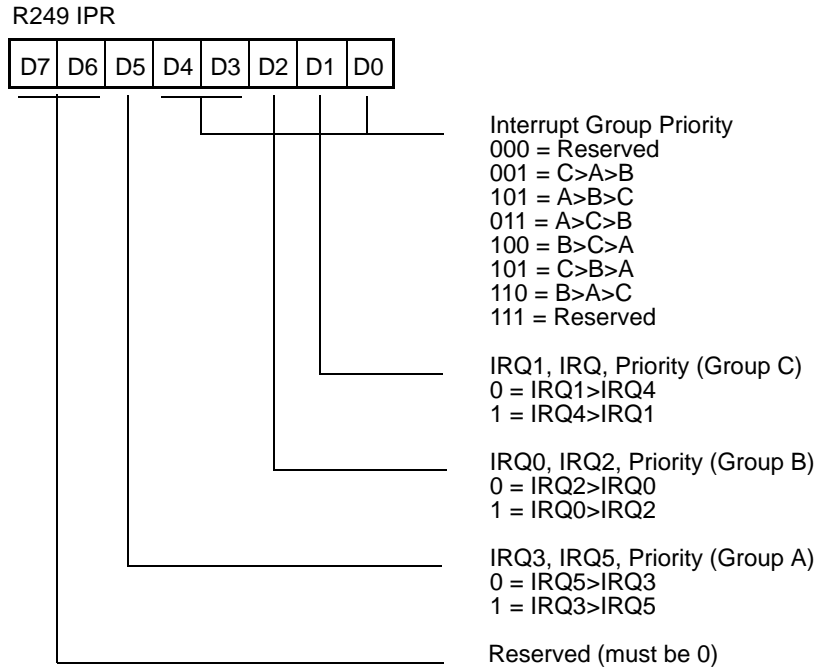


Figure 23. Interrupt Priority Register—F9H: Write Only

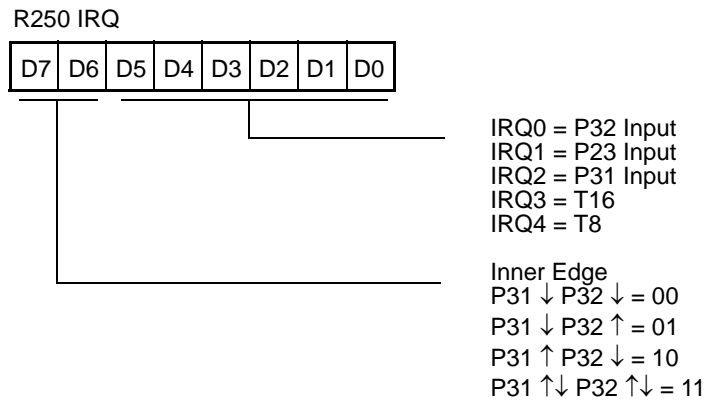
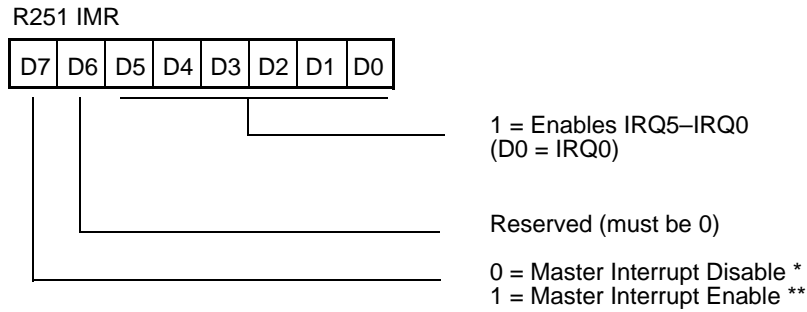


Figure 24. Interrupt Request Register—FAH: Read/Write



* Default setting after reset

** Only by using E1, D1 instruction. D1 is required before changing the IMR register.

Figure 25. Interrupt Mask Register—FBH: Read/Write

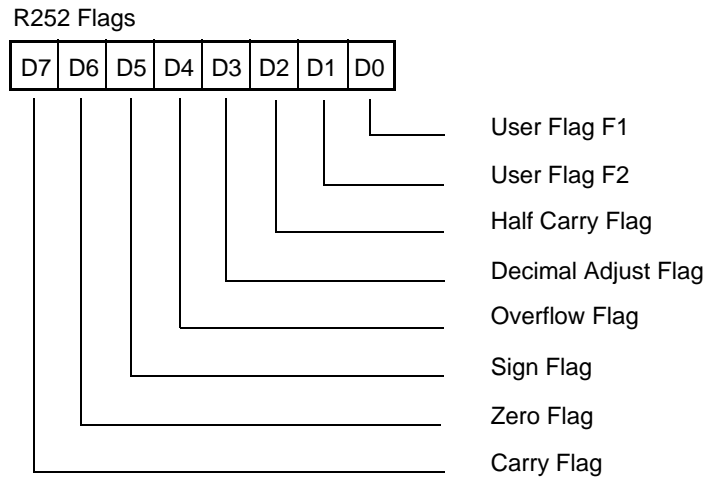


Figure 26. Flag Register—FCH: Read/Write

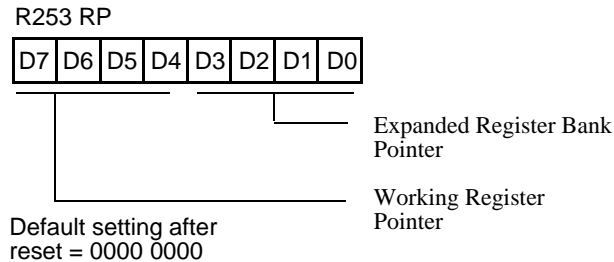


Figure 27. Register Pointer—FDH: Read/Write

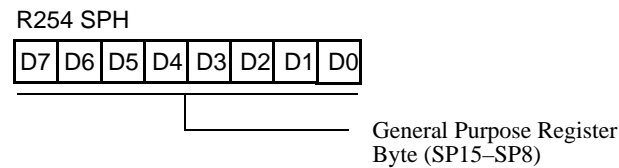


Figure 28. Stack Pointer High—FEH: Read/Write

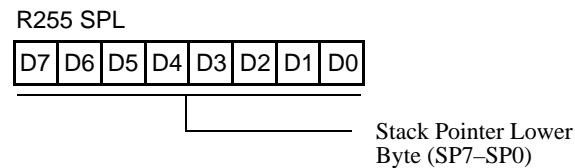


Figure 29. Stack Pointer Low—FFH: Read/Write

Register File

The register file (bank 0) consists of four I/O port registers, 237 general-purpose registers, and 16 control and status registers (R0–R3, R4–R239, and R240–255, respectively), plus two expanded registers groups (Banks D and F). Instructions can access registers directly or indirectly through an 8-bit address field, thereby allowing a short, 4-bit register address to use the Register Pointer (Figure 30). In the 4-bit mode, the register file is divided into 16 working register groups, each occupying 16 continuous locations. The Register Pointer addresses the starting location of the active working register group.

- **Note:** Working register group E0–EF can only be accessed through working registers and indirect addressing modes.

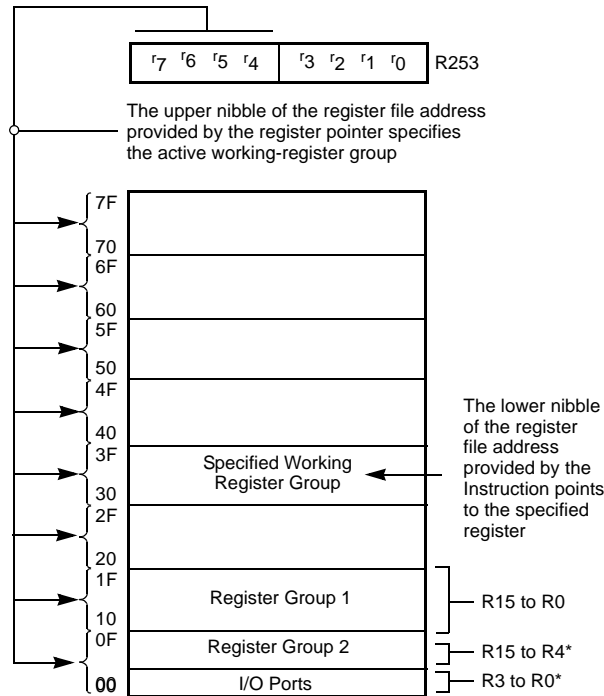


Figure 30. Register Pointer

Stack

The Z86L82X internal register file is used for the stack. An 8-bit Stack Pointer (R255) is used for the internal stack that resides in the general-purpose registers (R4–R239). SPH is used as a general-purpose register only when using internal stacks.

- **Note:** When SPH is used as a general-purpose register and Port 0 is in address mode, the contents of SPH are loaded into Port 0 whenever the internal stack is accessed.



Counter/Timer Registers

Table 9 describes the expanded register group D.

Table 9. Expanded Register Group D

(D)0Ch	LVD
(D)0Bh	HI8
(D)0Ah	LO8
(D)09h	HI16
(D)08h	LO16
(D)07h	TC16H
(D)06h	TC16L
(D)05h	TC8H
(D)04h	TC8L
(D)03h	Reserved
(D)02h	CTR2
(D)01h	CTR1
(D)00h	CTR0

HI8(D)0Bh

This register (Table 10) holds the captured data from the output of the 8-bit Counter/Timer0. This register is typically used to hold the number of counts when the input signal is 1.

Table 10. HI8(D)0Bh

Field	Bit Position		Description
T8_Capture_HI	76543210	R	Captured Data
		W	No Effect

LO8(D)0Ah

This register (Table 11) holds the captured data from the output of the 8-bit Counter/Timer0. This register is typically used to hold the number of counts when the input signal is 0HI16(D)09h.



Table 11. L08(D)0Ah

Field	Bit Position		Description
T8_Capture_L0	76543210	R W	Captured Data No Effect

HI16(D)09h

This register (Table 12) holds the captured data from the output of the 16-bit Counter/Timer16. This register holds the MS-Byte of the data.

Table 12. HI16(D)09h

Field	Bit Position		Description
T16_Capture_HI	76543210	R W	Captured Data No Effect

L016(D)08h

This register (Table 13) holds the captured data from the output of the 16-bit Counter/Timer16. This register holds the LS-Byte of the data.

Table 13. L016(D)08h

Field	Bit Position		Description
T16_Capture_LO	76543210	R W	Captured Data No Effect

TC16H(D)07h

Table 14 describes the Counter/Timer2 MS-Byte Hold Register.

Table 14. TC16H(D)07h

Field	Bit Position		Description
T16_Data_HI	76543210	R/W	Data



TC16L(D)06h

Table 15 describes the Counter/Timer2 LS-Byte Hold Register.

Table 15. TC16L(D)06h

Field	Bit Position		Description
T16_Data_LO	76543210	R/W	Data

TC8H(D)05h

Table 16 describes the Counter/Timer8 High Hold Register.

Table 16. TC8H(D)05h

Field	Bit Position		Description
T8_Level_HI	76543210	R/W	Data

TC8L(D)04h

Table 17 describes the Counter/Timer8 Low Hold Register.

Table 17. TC8L(D)04h

Field	Bit Position		Description
T8_Level_LO	76543210	R/W	Data



CTR0 Counter/Timer8 Control Register

Table 18 describes the CTR0 (D)00 Counter/Timer8 Control Register.

Table 18. CTR0 (D)00 Counter/Timer8 Control Register

Field	Bit Position		Value	Description
T8_Enable	7-----	R	0*	Counter Disabled
			1	Counter Enabled
		W	0	Stop Counter
			1	Enable Counter
Single/Modulo-N	-6-----	R/W	0	Modulo-N
			1	Single Pass
Time_Out	--5-----	R	0	No Counter Time-Out
			1	Counter Time-Out Occurred
		W	0	No Effect
			1	Reset Flag to 0
T8_Clock	---43---	R/W	0 0	SCLK
			0 1	SCLK/2
			1 0	SCLK/4
			1 1	SCLK/8
Capture_INT_MASK	-----2--	R/W	0	Disable Data Capture Int.
			1	Enable Data Capture Int.
Counter_INT_Mask	-----1-	R/W	0	Disable Time-Out Int.
			1	Enable Time-Out Int.
P34_Out	-----0	R/W	0*	P34 as Port Output
			1	T8 Output on P34

Note:

* Indicates the value upon Power-On Reset.

T8 Enable

This field enables T8 when set (written) to 1.

Single/Modulo-N

When set to 0 (modulo-n), the counter reloads the initial value when the terminal count is reached. When set to 1 (single pass), the counter stops when the terminal count is reached.

Time-Out

This bit is set when T8 times out (terminal count reached). To reset this bit, a 1 must be written to this location.



Caution: Writing a 1 is the only way to reset the Terminal Count status condition. Therefore, you must reset this bit before using/enabling the counter/timers.



Note: Care must be taken when using the OR or AND commands to manipulate CTR0, bit 5 and CTR1, bits 0 and 1 (demodulation mode). These instructions use a Read-Modify-Write sequence in which the current status from the CTR0 and CTR1 registers is ORed or ANDed with the designated value and then written back into the registers.

For example, when the status of bit 5 is 1, a timer reset condition occurs.

T8 Clock

This bit defines the frequency of the input signal to T8.

Capture_INT_Mask

Set this bit to allow an interrupt when data is captured into either LO8 or HI8 upon a positive or negative edge detection in demodulation mode.

Counter_INT_Mask

Set this bit to allow an interrupt when T8 has a time-out.

P34_Out

This bit defines whether P34 is used as a normal output pin or the T8 output.

CTR1(D)01h

This bit controls the functions in common with the T8 and T16.



CTR1 Register

Table 19 describes the contents of the CTR1 register.

Table 19. CTR1 Register

Field	Bit Position		Value	Description
Mode	7-----	R/W	0*	Transmit Mode Demodulation Mode
P36_Out/Demodulator_Input	-6-----	R/W	0*	Transmit Mode Port Output
			1	T8/T16 Output Demodulation Mode
			0	P31
			1	P20
T8/T16_Logic/Edge_Detect	--54----	R/W	00	Transmit Mode AND
			01	OR
			10	NOR
			11	NAND
			00	Demodulation Mode
			01	Falling Edge
			10	Rising Edge
			11	Both Edges Reserved
Transmit_Submode/Glitch_Filter	----32--	R/W	00	Transmit Mode Normal Operation
			01	Ping-Pong Mode
			10	T16_Out = 0
			11	T16_Out = 1
			00	Demodulation Mode No Filter
			01	4 SCLK Cycle
			10	8 SCLK Cycle
			11	16 SCLK Cycle



Table 19. CTR1 Register (Continued)

Field	Bit Position		Value	Description
Initial_T8_Out/Rising_Edge	-----1-	R/W	0	Transmit Mode
			1	T8_OUT is 0 Initially
		R	0	T8_OUT is 1 Initially
			1	Demodulation Mode
		W	0	No Rising Edge
			1	Rising Edge Detected
Initial_T16_Out/Falling_Edge	-----0	R/W	0	Transmit Mode
			1	T16_OUT is 0 Initially
		R	0	T16_OUT is 1 Initially
			1	Demodulation Mode
		W	0	No Falling Edge
			1	Falling Edge Detected

Note:

*Default upon Power-On Reset

Mode

If it is 0, the counter/timers are in the transmit mode; otherwise, they are in the demodulation mode.

P36_Out/Demodulator_Input

In transmit mode, this bit defines whether P36 is used as a normal output pin or the combined output of T8 and T16.

In demodulation mode, this bit defines whether the input signal to the counter/timers is from P20 or P31.

T8/T16_Logic/Edge_Detect

In transmit mode, this field defines how the outputs of T8 and T16 are combined (AND, OR, NOR, NAND).

In demodulation mode, this field defines which edge needs to be detected by the edge detector.



Transmit_Submode/Glitch_Filter

In transmit mode, this field defines whether T8 and T16 are in the “Ping-Pong” mode or in independent normal operation mode. Setting this field to “Normal Operation Mode” terminates the “Ping-Pong Mode” operation. When set to 10, T16 is immediately forced to a 0; a setting of 11 will force T16 to output a 1.

In demodulation mode, this field defines the width of the glitch that needs to be filtered out.

Initial_T8_Out/Rising_Edge

In transmit mode, if it is 0, the output of T8 is set to 0 when it starts to count. If it is 1, the output of T8 is set to 1 when it starts to count. When the counter is not enabled and this bit is set to 1 or 0, T8_OUT is set to the opposite state of this bit. This measure ensures that when the clock is enabled, a transition occurs to the initial state set by CTR1, D1.

In demodulation mode, this bit is set to 1 when a rising edge is detected in the input signal. In order to reset it, a 1 must be written to this location.

Initial_T16 Out/Falling_Edge

In transmit mode, if it is 0, the output of T16 is set to 0 when it starts to count. If it is 1, the output to T16 is set 1 when it starts to count. This bit is effective only in Normal or Ping-Pong mode (CTR1, D3, D2). When the counter is not enabled and this bit is set, T16_OUT will be set to the opposite state of this bit. this ensures that when the clock is enabled, a transition occurs to the initial state set by CTR1, D0.

In demodulation mode, this bit is set to 1 when a falling edge is detected in the input signal. In order to reset it, a 1 must be written to this location.

- ▶ **Note:** Modifying CTR1 (D1 or D0) while the counters are enabled causes unpredictable output from T8/16_OUT.



CTR2 Counter/Timer16 Control Register

Table 20 describes the contents of the CTR2 register.

Table 20. CTR2 (D)02h: Counter/Timer16 Control Register

Field	Bit Position		Value	Description
T16_Enable	7-----	R	0*	Counter Disabled
			1	Counter Enabled
		W	0	Stop Counter
			1	Enable Counter
Single/Modulo-N	-6-----	R/W		Transmit Mode
			0	Modulo-N
			1	Single Pass
				Demodulation Mode
			0	T16 Recognizes Edge
1	T16 Does Not Recognize Edge			
Time_Out	--5-----	R	0	No Counter Time-Out
			1	Counter Time-Out Occurred
		W	0	No Effect
			1	Reset Flag to 0
T16_Clock	---43---	R/W	00	SCLK
			01	SCLK/2
			10	SCLK/4
			11	SCLK/8
Capture_INT_Mask	-----2--	R/W	0	Disable Data Capture Int.
			1	Enable Data Capture Int.
Counter_INT_Mask	-----1-	R/W	0	Disable Time-Out Int. Enable Time-Out Int.
RESERVE Must be 0	-----0	R/W	0*	Reserved Must be 0

Note:

* Indicates the value upon Power-On Reset.

T16_Enable

This field enables T16 when set to 1.

Single/Modulo-N

In transmit mode, when this bit is set to 0, the counter reloads the initial value when terminal count is reached. When this bit is set to 1, the counter stops when the terminal count is reached.



In demodulation mode, when this bit is set to 0, T16 captures and reloads on detection of all the edges. When this bit is set to 1, T16 captures and detects on the first edge, but ignores the subsequent edges. For details, see “T16 Demodulation Mode” on page 50.

Time_Out

This bit is set when T16 times out (terminal count reached). In order to reset this bit, a 1 must be written to this location.

T16_Clock

This bit defines the frequency of the input signal to Counter/Timer16.

Capture_INT_Mask

Set this bit to allow an interrupt when data is captured into LO16 and HI16.

Counter_INT_Mask

Set this bit to allow an interrupt when T16 times out.

P35_Out

This bit is reserved. This bit must be 0.

Counter/Timer Functional Blocks

The following are the counter/timer functional blocks:

- Input circuit
- Eight-bit counter/timer circuits (page 43)
- Sixteen-bit counter/timer circuits (page 49)
- Output circuit (page 53)

Input Circuit

The edge detector monitors the input signal on P31 or P20. Based on CTR1 D5–D4, a pulse is generated at the Pos Edge or Neg Edge line when an edge is detected. Glitches in the input signal that have a width less than specified (CTR1 D3, D2) are filtered out (see Figure 31).

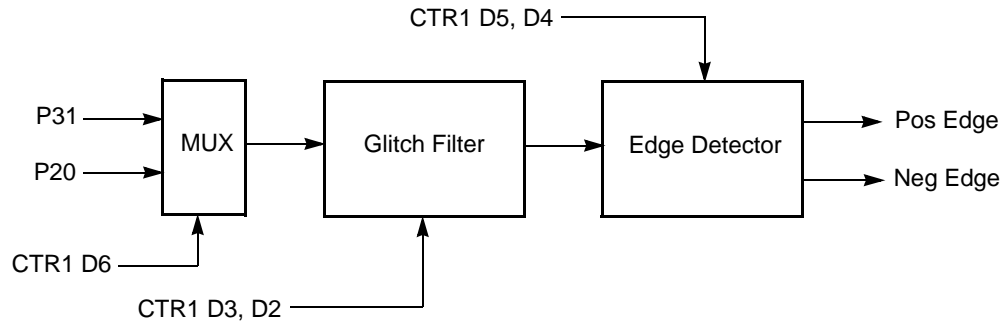


Figure 31. Glitch Filter Circuitry

Eight-Bit Counter/Timer Circuits

Figure 32 shows the 8-bit counter/timer circuits.

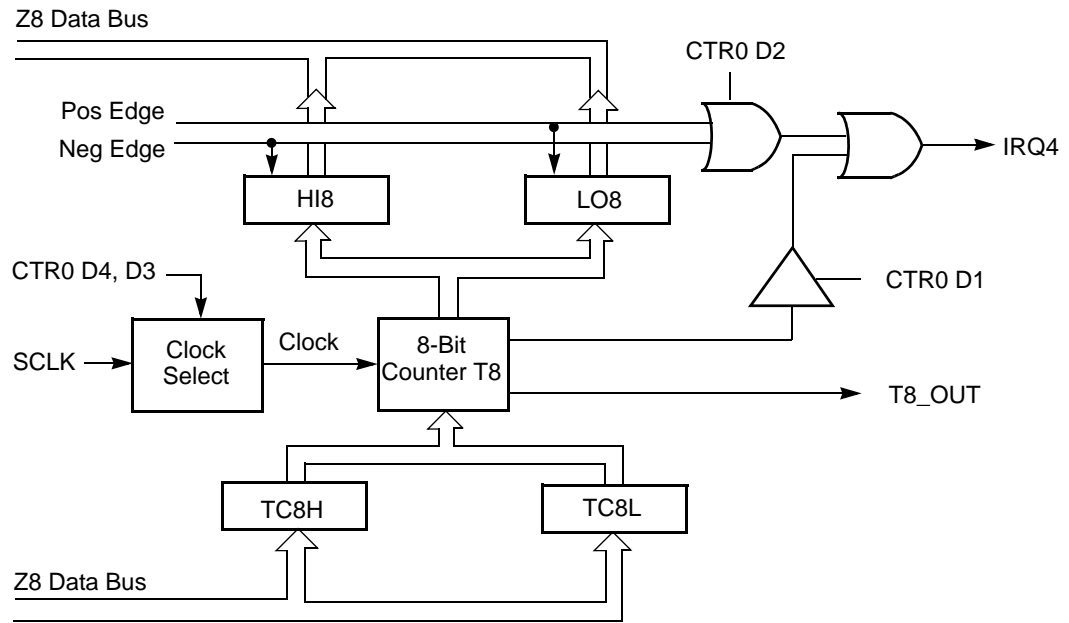


Figure 32. 8-Bit Counter/Timer Circuits



T8 Transmit Mode

Before T8 is enabled, the output of T8 depends on CTR1, D1. If it is 0, T8_OUT is 1. If it is 1, T8_OUT is 0.

When T8 is enabled, the output T8_OUT switches to the initial value (CTR1 D1). If the initial value (CTR1 D1) is 0, TC8L is loaded; otherwise, TC8H is loaded into the counter (see Figure 33). In Single-Pass Mode (CTR0 D6), T8 counts down to 0 and stops, T8_OUT toggles, and the time-out status bit (CTR0 D5) is set. A time-out interrupt can be generated if it is enabled (CTR0 D1). See Figure 34. In Modulo-N Mode, upon reaching terminal count, T8_OUT is toggled, but no interrupt is generated. Then T8 loads a new count (if the T8_OUT level now is 0), TC8L is loaded; if it is 1, TC8H is loaded. T8 counts down to 0, toggles T8_OUT, sets the time-out status bit (CTR0 D5) and generates an interrupt if enabled (CTR0 D1). One cycle is thus completed. T8 then loads from TC8H or TC8L according to the T8_OUT level, and repeats the cycle. See Figure 35.

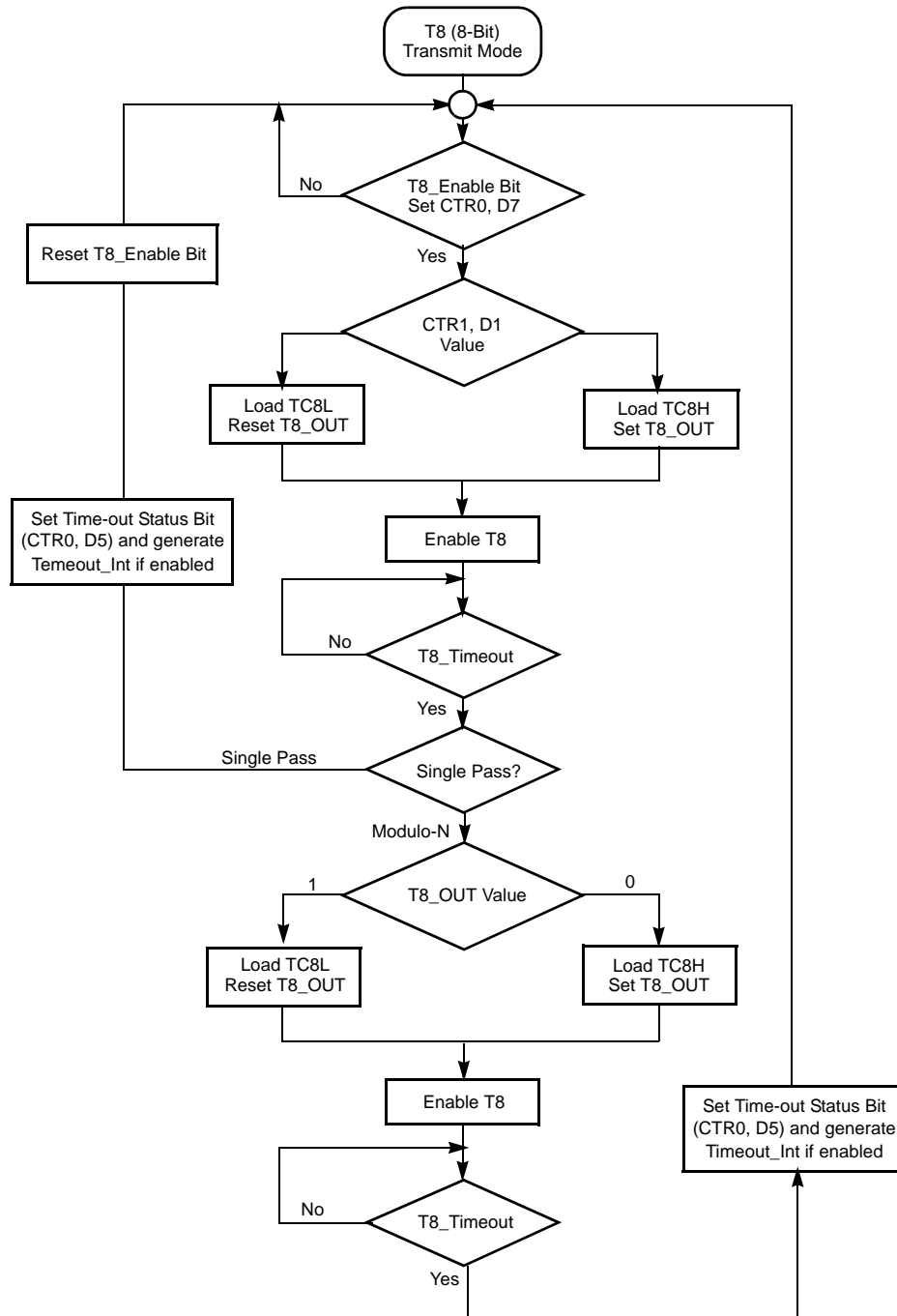


Figure 33. Transmit Mode Flowchart

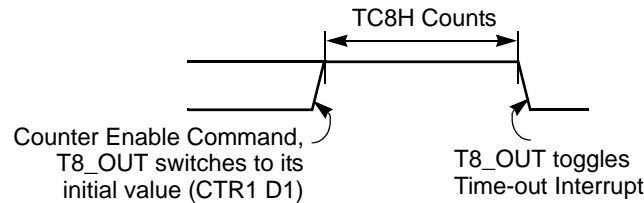


Figure 34. T8_OUT in Single-Pass Mode

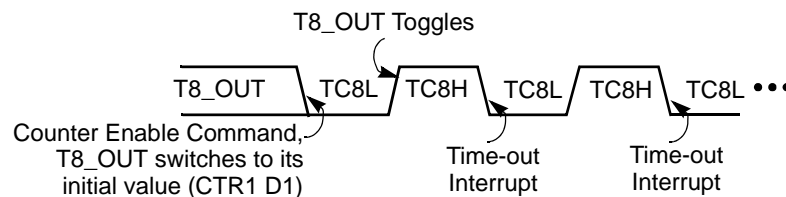



Figure 35. T8_OUT in Modulo-N Mode

You can modify the values in TC8H or TC8L at any time. The new values take effect when they are loaded. To ensure known operation, do not write these registers at the time the values are to be loaded into the counter/timer. *An initial count of 1 is not allowed (a nonfunction occurs).* An initial count of 0 causes TC8 to count from 0 to FFh to FEh.

► **Note:** “h” is used for hexadecimal values.

Transition from 0 to FFh is not a time-out condition.

 **Caution:** Do not use the same instructions for stopping the counter/timers and setting the status bits.

Two successive commands are necessary. First, the counter/timers must be stopped, and second, the status bits must be reset. These commands are required because it takes one counter/timer clock interval for the initiated event to actually occur.

T8 Demodulation Mode

You need to program TC8L and TC8H to FFh. After T8 is enabled, when the first edge (rising, falling, or both, depending on CTR1 D5, D4) is detected, it starts to count down. When a subsequent edge (rising, falling, or both depending on CTR1 D5, D4) is detected during counting, the current value of T8 is one's complemented and put into one of the capture registers. If it is a positive edge, data is put

into LO8; if it is a negative edge, HI8. One of the edge-detect status bits (CTR1 D1, D0) is set, and an interrupt can be generated if enabled (CTR0 D2). Meanwhile, T8 is loaded with FFh and starts counting again. If T8 reaches 0, the time-out status bit (CTR0 D5) is set, an interrupt can be generated if enabled (CTR0 D1), and T8 continues counting from FFh (see Figure 36 and Figure 37).

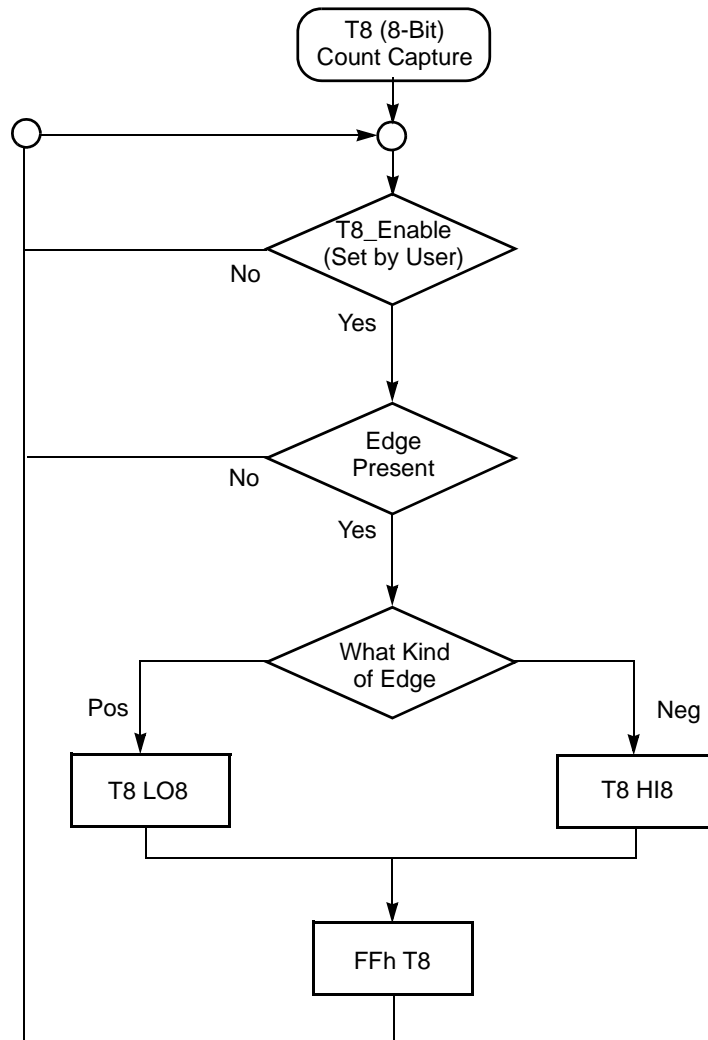


Figure 36. Demodulation Mode Count Capture Flowchart

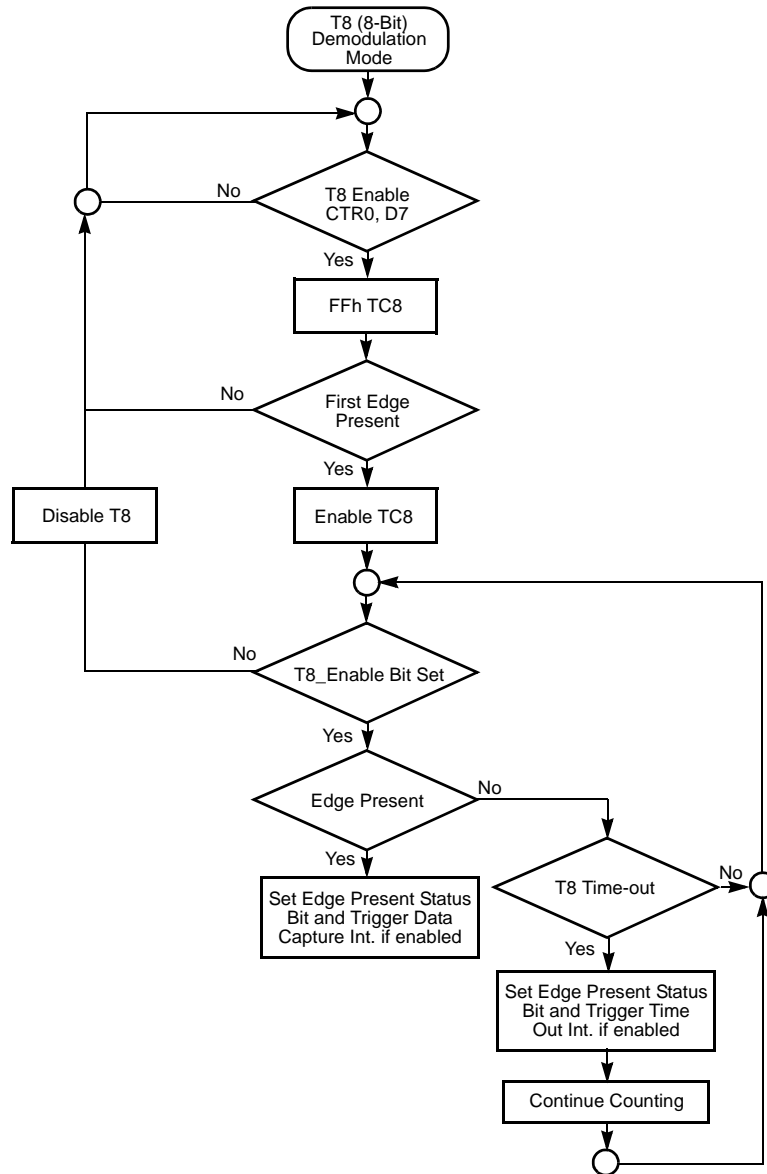


Figure 37. Demodulation Mode Flowchart

Sixteen-Bit Counter/Timer Circuits

Figure 38 shows the 16-bit counter/timer circuits.

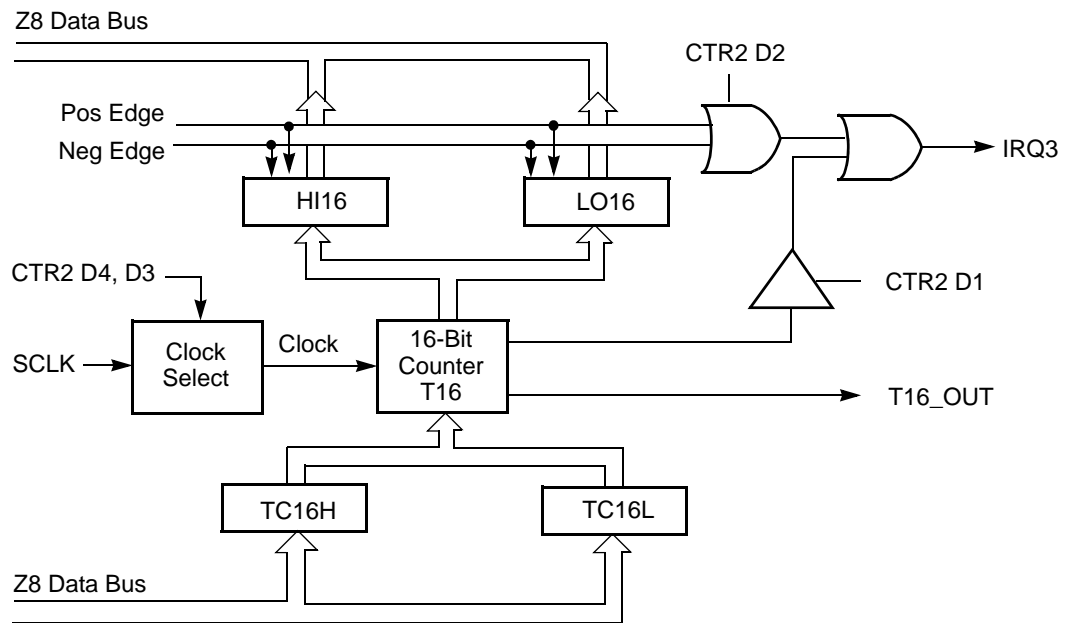


Figure 38. 16-Bit Counter/Timer Circuits

T16 Transmit Mode

In Normal or Ping-Pong Mode, the output of T16, when not enabled, is dependent on CTR1, D0. If the result is a 0, T16_OUT is a 1; if it is a 1, T16_OUT is 0. You can force the output of T16 to either a 0 or 1 whether it is enabled or not by programming CTR1 D3, D2 to a 10 or 11.

When T16 is enabled, TC16H * 256 + TC16L is loaded, and T16_OUT is switched to its initial value (CTR1 D0). When T16 counts down to 0, T16_OUT is toggled (in Normal or Ping-Pong Mode), an interrupt is generated if enabled (CTR2 D1), and a status bit (CTR2 D5) is set.

► **Note:** Global interrupts override this function as described in “Interrupts” on page 53.

If T16 is in Single-Pass Mode, T16 is stopped at this point (see Figure 39). If T16 is in Modulo-N Mode, T16 is loaded with TC16H * 256 + TC16L and the counting continues (see Figure 40).

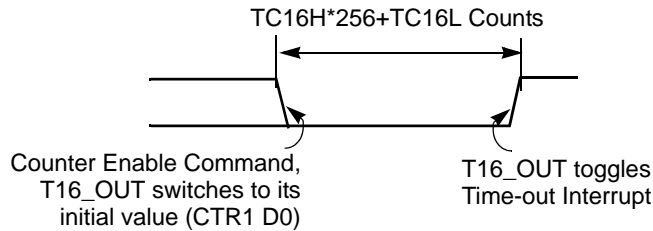


Figure 39. T16_OUT in Single-Pass Mode

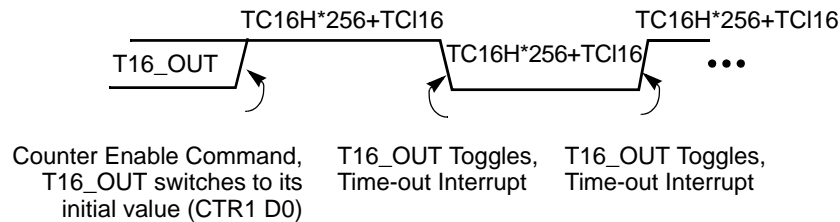


Figure 40. T16_OUT in Modulo-N Mode

You can modify the values in TC16H and TC16L at any time. The new values take effect when they are loaded. To ensure known operation, do not load these registers at the time the values are to be loaded into the counter/timer. An initial count of 1 is not allowed. An initial count of 0 causes T16 to count from 0 to FFFFh to FFFEh. Transition from 0 to FFFFh is not a time-out condition.

T16 Demodulation Mode

You need to program TC16L and TC16H to FFh. After T16 is enabled, when the first edge (rising, falling, or both, depending on CTR1 D5, D4) is detected, T16 captures HI16 and LO16, reloads, and begins counting.

If D6 of CTR2 Is 0

When a subsequent edge (rising, falling, or both, depending on CTR1 D5, D4) is detected during counting, the current count in T16 is one's complemented and put into HI16 and LO16. When data is captured, one of the edge-detect status bits (CTR1 D1, D0) is set and an interrupt is generated if enabled (CTR2 D2). T16 is loaded with FFFFh and starts again.

This T16 mode is generally used to measure space time, the length of time between bursts of carrier signal (marks).



If D6 of CTR2 Is 1

T16 ignores the subsequent edges in the input signal and continues counting down. A time-out of T8 causes T16 to capture its current value and generate an interrupt if enabled (CTR2, D2). In this case, T16 does not reload and continues counting. If the D6 bit of CTR2 is toggled (by writing a 0 and then a 1 to it), T16 captures and reloads on the next edge (rising, falling, or both, depending on CTR1 D5, D4) but continue to ignore subsequent edges.

This T16 mode is generally used to measure mark times, the length of an active carrier signal bursts.

When T16 reaches 0, it continues counting from FFFFh. Meanwhile, a status bit (CTR2 D5) is set, and an interrupt time-out can be generated if enabled (CTR2 D1).

Ping-Pong Mode

This operation mode (see Figure 41) is only valid in transmit mode. T8 and T16 must be programmed in Single-Pass Mode (CTR0 D6, CTR2 D6), and Ping-Pong Mode must be programmed in CTR1 D3, D2. You can begin the operation by enabling either T8 or T16 (CTR0 D7 or CTR2 D7). For example, if T8 is enabled, T8_OUT is set to this initial value (CTR1 D1). According to T8_OUT's level, TC8H or TC8L is loaded into T8. After the terminal count is reached, T8 is disabled, and T16 is enabled. T16_OUT switches to its initial value (CTR1 D0), data from TC16H and TC16L is loaded, and T16 starts to count. After T16 reaches the terminal count, it stops, T8 is enabled again, and the whole cycle repeats. Interrupts can be allowed when T8 or T16 reaches terminal control (CTR0 D1, CTR2 D1). To stop the Ping-Pong operation, write 00 to bits D3 and D2 of CTR1.

- ▶ **Note:** Enabling Ping-Pong operation while the counter/timers are running might cause intermittent counter/timer function. Disable the counter/timers and then reset the status flags before instituting this operation.

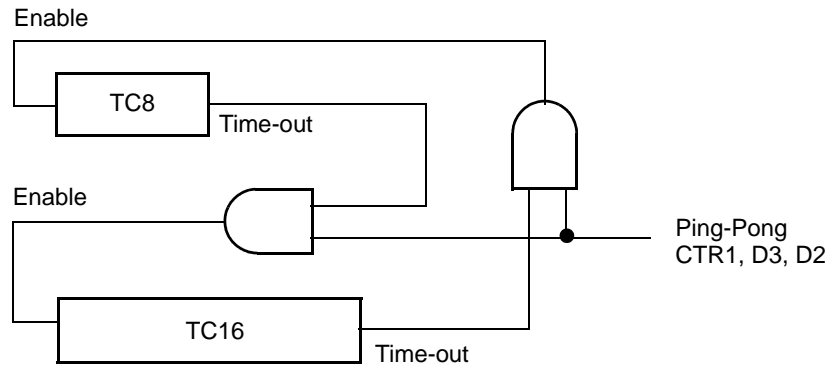


Figure 41. Ping-Pong Mode

Starting Ping-Pong Mode

First, make sure both counter/timers are not running. Then set T8 into Single-Pass Mode (CTR0 D6), set T16 into Single-Pass Mode (CTR2 D6), and set the Ping-Pong Mode (CTR1 D2, D3). These instructions do not have to be in any particular order. Finally, start Ping-Pong Mode by enabling either T8 (CTR0 D7) or T16 (CTR2 D7).

During Ping-Pong Mode

The enable bits of T8 and T16 (CTR0 D7, CTR2 D7) are set and cleared alternately by hardware. The time-out bits (CTR0 D5, CTR2 D5) are set every time the counter/timers reach the terminal count.

Output Circuit

Figure 42 shows the output circuit.

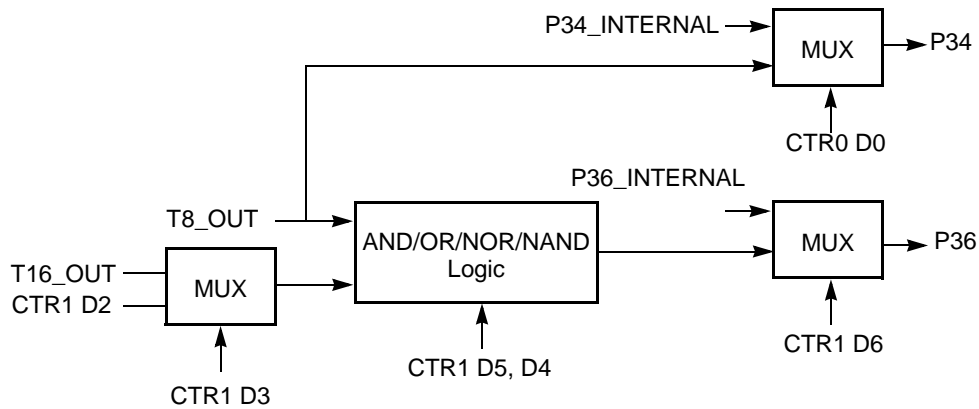


Figure 42. Output Circuit

Interrupts

The Z86L82X features six different interrupts. The interrupts are maskable and prioritized, as shown in Figure 43. The six sources are divided as follows: three sources are claimed by Port 3 lines P33–P31, two by the counter/timers, and one by LVD (see Table 21). The Interrupt Mask Register, globally or individually, enables or disables the six interrupt requests.

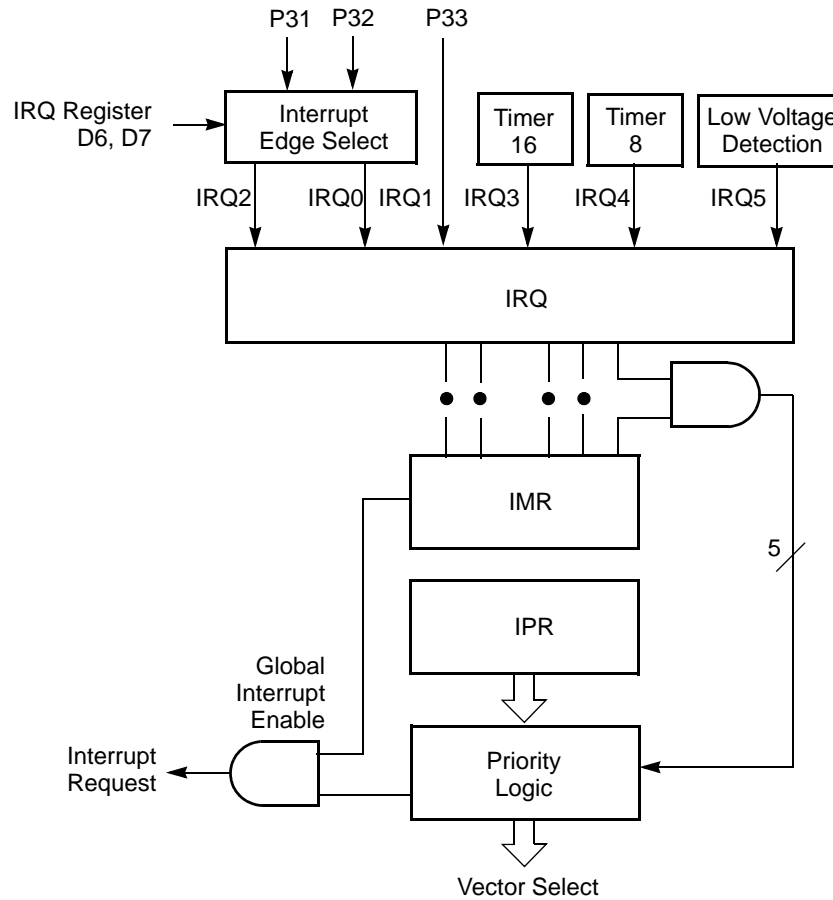


Figure 43. Interrupt Block Diagram

Table 21. Interrupt Types, Sources, and Vectors

Name	Source	Vector Location	Comments
IRQ0	P32	0,1	External (P32), Rising Falling Edge Triggered
IRQ1	P33	2,3	External (P33), Falling Edge Triggered
IRQ2	P31, T _{IN}	4,5	External (P31), Rising Falling Edge Triggered
IRQ3	T16	6,7	Internal
IRQ4	T8	8,9	Internal



When more than one interrupt is pending, priorities are resolved by a programmable priority encoder controlled by the Interrupt Priority register. An interrupt machine cycle is activated when an interrupt request is granted. As a result, all subsequent interrupt are disabled, and the Program Counter and Status Flags are saved. The cycle then branches to the program memory vector location reserved for that interrupt. All Z86L82X interrupts are vectored through locations in the program memory. This memory location and the next byte contain the 16-bit address of the interrupt service routine for that particular interrupt request. To accommodate polled interrupt systems, interrupt inputs are masked, and the Interrupt Request register is polled to determine which of the interrupt requests require service.

An interrupt resulting from AN1 is mapped into IRQ2, and an interrupt from AN2 is mapped into IRQ0. Interrupts IRQ2 and IRQ0 can be rising, falling, or both edge triggered, and are programmable by the user. The software can poll to identify the state of the pin.

Programming bits for the Interrupt Edge Select are located in the IRQ Register (R250), bits D7 and D6. The configuration is indicated in Table 22.

Table 22. IRQ Register

IRQ		Interrupt Edge	
D7	D6	IRQ2(P31)	IRQ0 (P32)
0	0	F	F
0	1	F	R
1	0	R	F
1	1	R/F	R/F

Notes:

F = Falling Edge

R = Rising Edge

In stop mode, the comparators are turned off.

Clock

The Z86L82X on-chip oscillator has a high-gain, parallel-resonant amplifier for connection to a crystal, LC, ceramic resonator, or any suitable external clock source (XTAL1 = Input, XTAL2 = Output). The crystal must be AT cut, 1 MHz to 8 MHz maximum, with a series resistance (RS) less than or equal to 100 Ohms. The Z86L82X on-chip oscillator can be driven with a low-cost RC network or other suitable external clock source.

For 32-kHz crystal operation, an external feedback resistor (R_f) and a serial resistor (R_d) are required. See Figure 44.

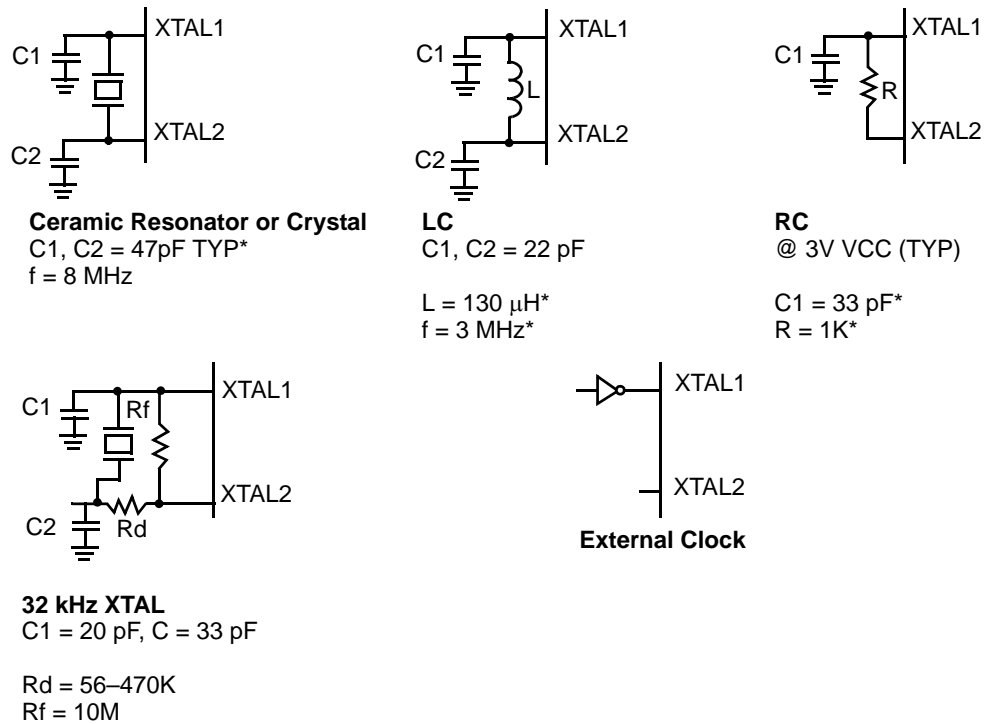


Figure 44. Oscillator Configuration

The crystal needs to be connected across XTAL1 and XTAL2 using the recommended capacitors (capacitance greater than or equal to 22 pF) from each pin to ground. The RC oscillator configuration is an external resistor connected from XTAL1 to XTAL2, with a frequency-setting capacitor from XTAL1 to ground (see Figure 44).

Power-On Reset (POR)

A timer circuit clocked by a dedicated on-board RC oscillator is used for the Power-On Reset (POR) timer function. The POR time allows V_{CC} and the oscillator circuit to stabilize before instruction execution begins.

The POR timer circuit is a one-shot timer triggered by one of three conditions:

- Power Fail to Power OK status including Waking up from V_{BO} Standby
- Stop-Mode Recovery (if D5 of SMR = 1)
- WDT Time-Out



The POR time is a nominal 5 ms. Bit 5 of the Stop-Mode Register determines whether the POR timer is bypassed after Stop-Mode Recovery (typical for external clock, RC, and LC oscillators).

HALT

HALT turns off the internal CPU clock, but not the XTAL oscillation. The counter/timers and external interrupts IRQ0, IRQ1, IRQ2, IRQ3, and IRQ4 remain active. The devices are recovered by interrupts, either externally or internally generated. An interrupt request must be executed (enabled) to exit HALT Mode. After the interrupt service routine, the program continues from the instruction after the HALT.

STOP

This instruction turns off the internal clock and external crystal oscillation and reduces the standby current to 10 μ A or less. STOP Mode is terminated only by a reset (such as WDT time-out), POR, SMR, or external reset. This termination causes the processor to restart the application program at address 000CH. To enter STOP (or HALT) mode, you need to first flush the instruction pipeline to avoid suspending execution in mid-instruction. To execute this action, you must execute a NOP (op code = FFH) immediately before the appropriate sleep instruction. For example:

```

FF      NOP      ; clear the pipeline
6F      STOP     ; enter STOP Mode
    
```

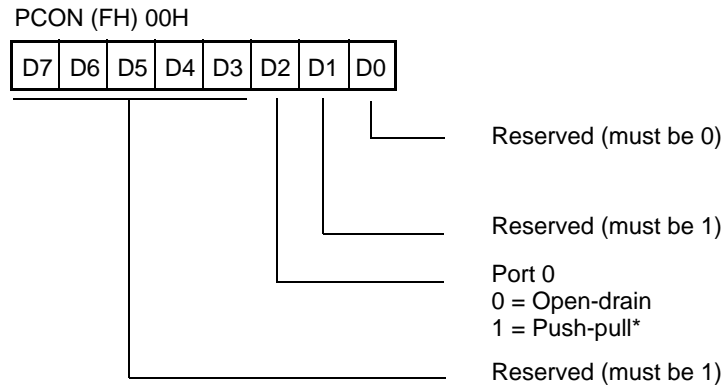
or

```

FF      NOP      ; clear the pipeline
7F      HALT     ; enter HALT Mode
    
```


Port Configuration Register (PCON)

The PCON register configures the comparator output on Port 3. It is located in the expanded register 2 at Bank F, location 00, as shown in Figure 45.



*Default setting after reset

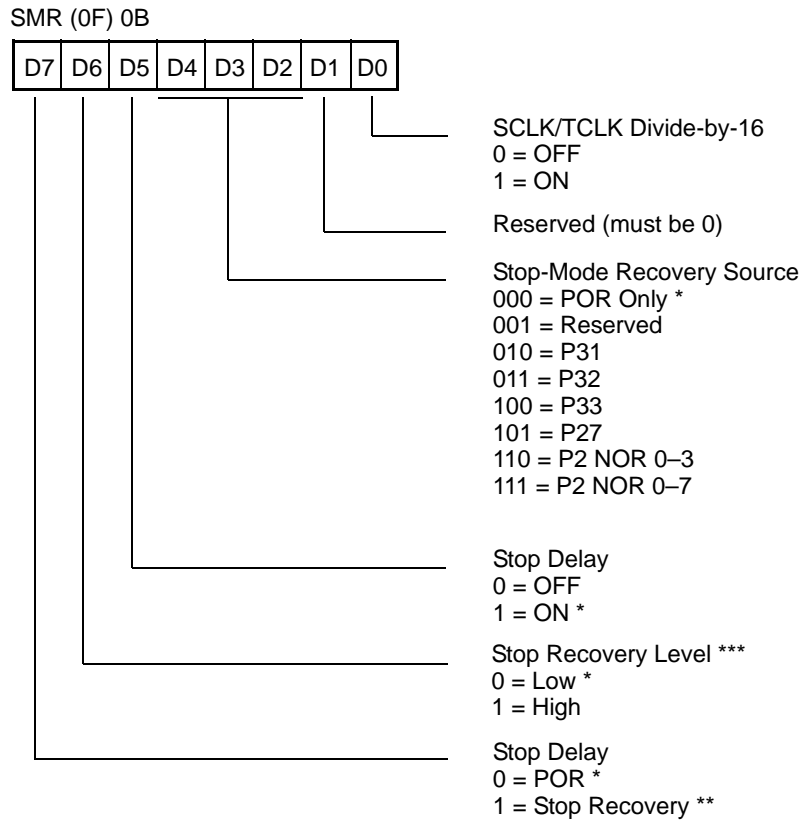
Figure 45. Port Configuration Register (PCON)—Write Only

Port 0 Output Mode (D2)

Bit 2 controls the output mode of Port 0. A 1 in this location set the output to push-pull, and a 0 sets the output to open-drain.

Stop-Mode Recovery Register (SMR)

This register selects the clock divide value and determines the mode of Stop-Mode Recovery (Figure 46). All bits are write only except bit 7, which is read only. Bit 7 is a flag bit that is hardware set on the condition of STOP recovery and reset by a power-on cycle. Bit 6 controls whether a low level or a high level at the XOR-gate input is required from the recovery source. Bit 5 controls the reset delay after recovery. Bits D2, D3, and D4, or the SMR register, specify the source of the Stop-Mode Recovery signal. Bit D0 determines if SCLK/TCLK (shown in Figure 47) are divided by 16 or not. The SMR is located in Bank F of the Expanded Register Group at address 0BH.



* Default setting after reset

** Default setting after reset and Stop-Mode Recovery

*** At the XOR gate input

Figure 46. Stop-Mode Recovery Register

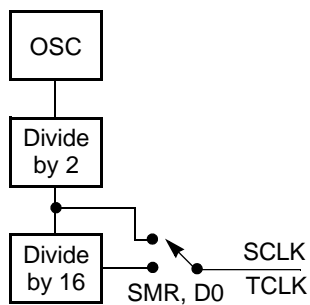


Figure 47. SCLK Circuit



SCLK/TCLK Divide-by-16 Select (D0)

D0 of the SMR controls a Divide-by-16 prescaler of SCLK/TCLK. The purpose of this control is to selectively reduce device power consumption during normal processor execution (SCLK control) and/or HALT Mode (where TCLK sources interrupt logic). After Stop-Mode Recovery, this bit is set to a 0.

Stop-Mode Recovery Source (D2, D3, and D4)

These three bits of the SMR specify the wake-up source of the STOP recovery (Figure 48 and Table 23 on page 62).

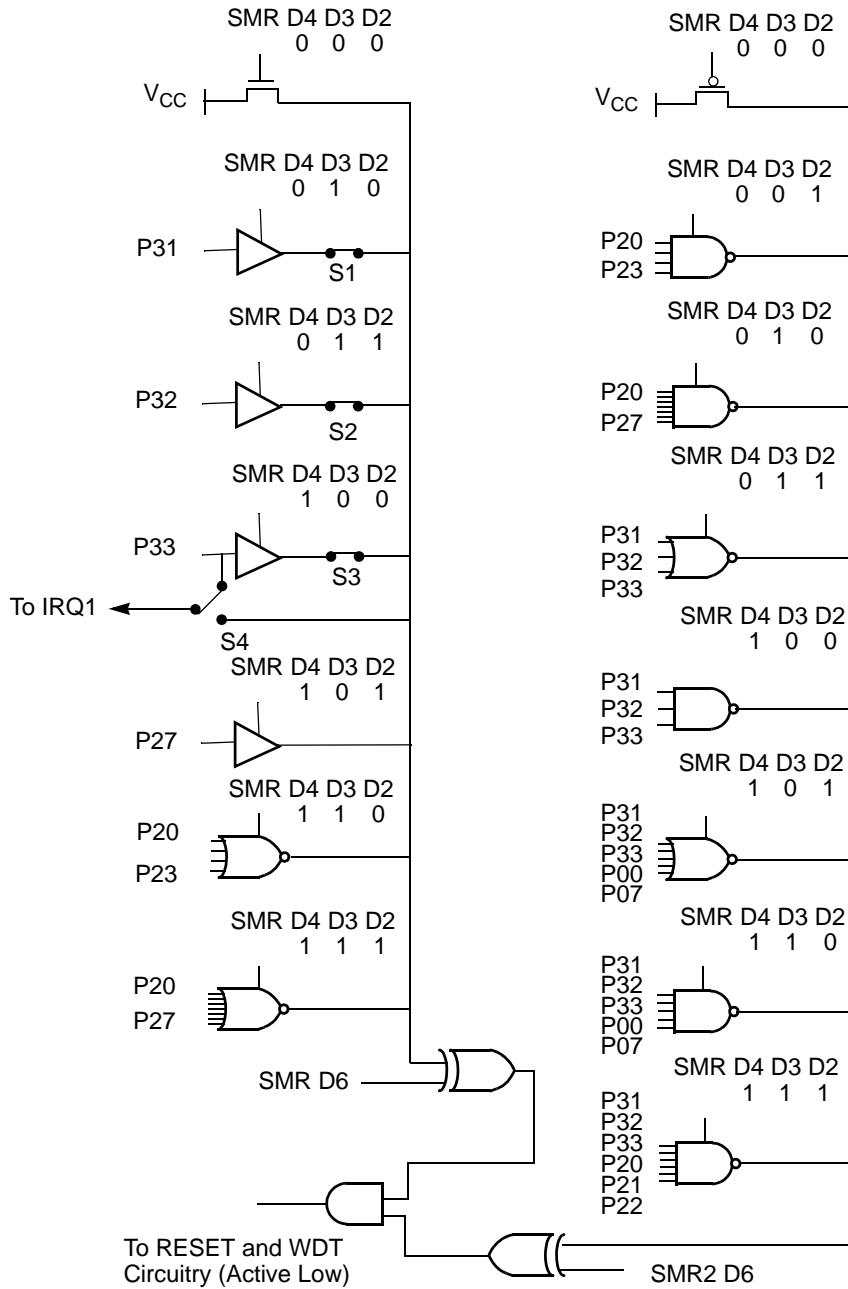


Figure 48. Stop-Mode Recovery Source



Table 23. Stop-Mode Recovery Source

SMR:432			Operation
D4	D3	D2	Description of Action
0	0	0	POR and/or external reset recovery
0	0	1	Reserved
0	1	0	P31 transition
0	1	1	P32 transition
1	0	0	P33 transition
1	0	1	P27 transition
1	1	0	Logical NOR of P20 through P23
1	1	1	Logical NOR of P20 through P27

► **Note:** Any Port 2 bit defined as an output drives the corresponding input to the default state to allow the remaining inputs to control the AND/OR function. Refer to “Stop-Mode Recovery Register 2 (SMR2)” on page 63 for other recover sources.

Stop-Mode Recovery Delay Select (D5)

This bit, if low, disables the 5-ms $\overline{\text{RESET}}$ delay after Stop-Mode Recovery. The default configuration of this bit is one. If the “fast” wake up is selected, the Stop-Mode Recovery source must be kept active for at least 5TpC.

Stop-Mode Recovery Edge Select (D6)

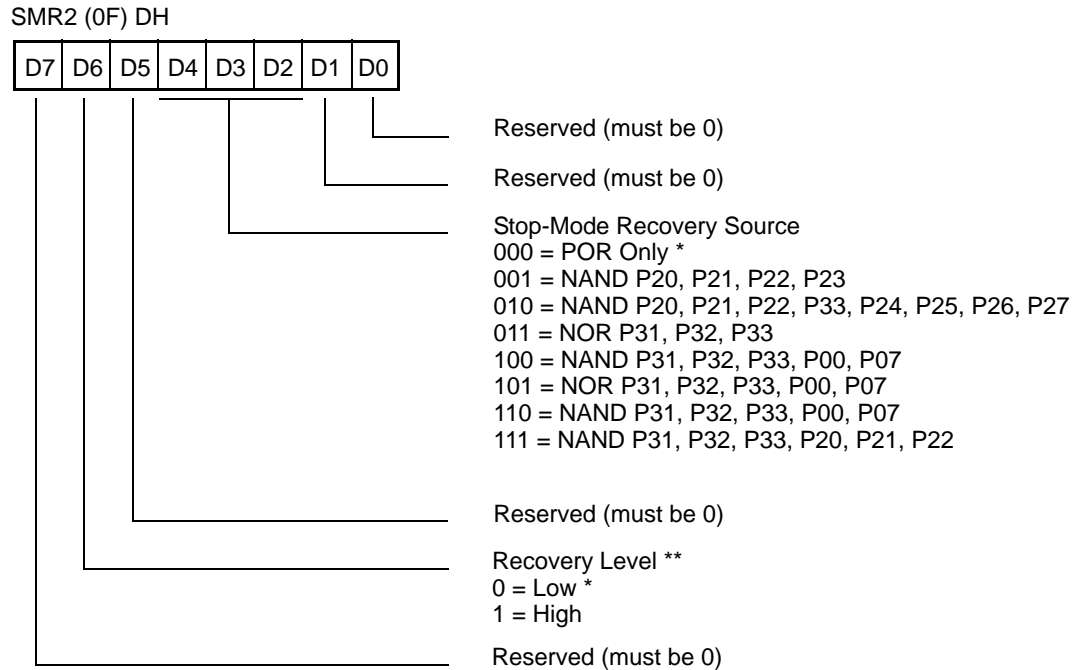
A 1 in this bit position indicates that a High level on any one of the recovery sources wakes the Z86L82X from STOP Mode. A 0 indicates Low level recovery. The default is 0 on POR.

Cold or Warm Start (D7)

This bit is read only. It is set to 1 when the device is recovered from Stop Mode. The bit is set to 0 when the device is reset other than Stop-Mode Recovery.

Stop-Mode Recovery Register 2 (SMR2)

This register determines the mode of Stop-Mode Recovery for SMR2 (see Figure 49).



* Default setting after reset

** At the XOR gate input

Figure 49. Stop-Mode Recovery Register 2—(0F) DH:D2–D4, D6 Write Only

If SMR2 is used in conjunction with SMR, either of the specified events causes a Stop-Mode Recovery.

- ▶ **Note:** Port pins configured as outputs are ignored as a SMR or SMR2 recovery source. For example, if the NAND or P23–P20 is selected as the recovery source and P20 is configured as an output, the remaining SMR pins (P23–P21) form the NAND equation.

Table 24 describes the contents of the Stop-Mode Recovery register 2.



Table 24. SMR2(F)0Dh: Stop-Mode Recovery Register 2

Field	Bit Position		Value	Description
Reserved	7-----		0	Reserved (Must be 0)
Recovery Level	-6-----	W	0*	Low
			1	High
Reserved	--5-----		0	Reserved (Must be 0)
Source	---432--	W	000*	A. POR Only
			001	B. NAND of P23–P20
			010	C. NAND or P27–P20
			011	D. NOR of P33–P31
			100	E. NAND of P33–P31
			101	F. NOR of P33–P31, P00, P07
			110	G. NAND of P33–P31, P00, P07
			111	H. NAND of P33–P31, P22–P20
Reserved	-----10		00	Reserved (Must be 0)

Notes:

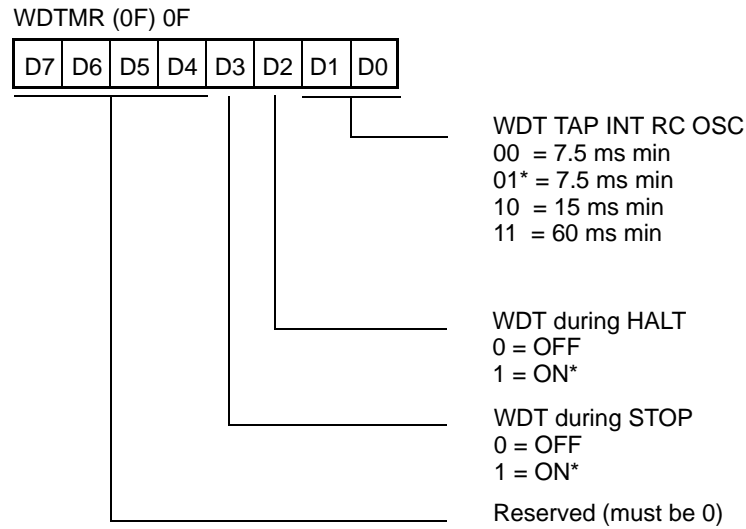
*Indicates the value upon Power-On Reset

Port pins configured as outputs are ignored as a SMR recovery source.

Watch-Dog Timer Mode Register (WDTMR)

The WDT is a retriggerable, one-shot timer that resets the Z8 if it reaches its terminal count. The WDT must initially be enabled by executing the WDT instruction and refreshed on subsequent executions of the WDT instruction. The WDT circuit is driven by an on-board RC oscillator or external oscillator from the XTAL1 pin. The WDT instruction affects the Zero (Z), Sign (S), and Overflow (V) flags.

The POR clock source is selected with bit 4 of the WDT register. Bits 0 and 1 control a tap circuit that determines the minimum time-out period. Bit 2 determines whether the WDT is active during HALT, and Bit 3 determines WDT activity during STOP. Bits 5 through 7 are reserved (Figure 50). This register is accessible only during the first 60 processor cycles (122 XTAL clocks) from the execution of the first instruction after Power-On-Reset, Watch-Dog Reset, or a Stop-Mode Recovery (Figure 50). After this point, the register cannot be modified by any means, intentional or otherwise. The WDTMR cannot be read and is located in Bank F of the Expanded Register Group at address location 0FH. The WDTMR is organized as shown in Figure 50.



* Default setting after reset

Figure 50. Watch-Dog Timer Mode Register—Write Only

WDT Time Select (D0, D1)

This bit selects the WDT time period. It is configured as indicated in Table 25.

Table 25. WDT Time Select

D1	D0	Time-Out of Internal RC OSC
0	0	7.5 ms min
0	1	7.5 ms min
1	0	15 ms min
1	1	60 ms min

Notes:

TpC = XTAL clock cycle.
The default on reset is 7.5 ms.

WDTMR During HALT (D2)

This bit determines whether or not the WDT is active during HALT Mode. A 1 indicates active during HALT. The default is 1.

WDTMR During STOP (D3)

This bit determines whether or not the WDT is active during STOP Mode. Since the XTAL clock is stopped during STOP Mode, the on-board RC has to be selected as the clock source to the WDT/POR counter. A 1 indicates active during STOP. The default is 1.

Clock Source for WDT (D4)

This bit determines which oscillator source is used to clock the internal POR and WDT counter chain. If the bit is a 1, the internal RC oscillator is bypassed, and the POR and WDT clock source is driven from the external pin, XTAL1. The default configuration of this bit is 0, which selects the RC oscillator. See Figure 51.

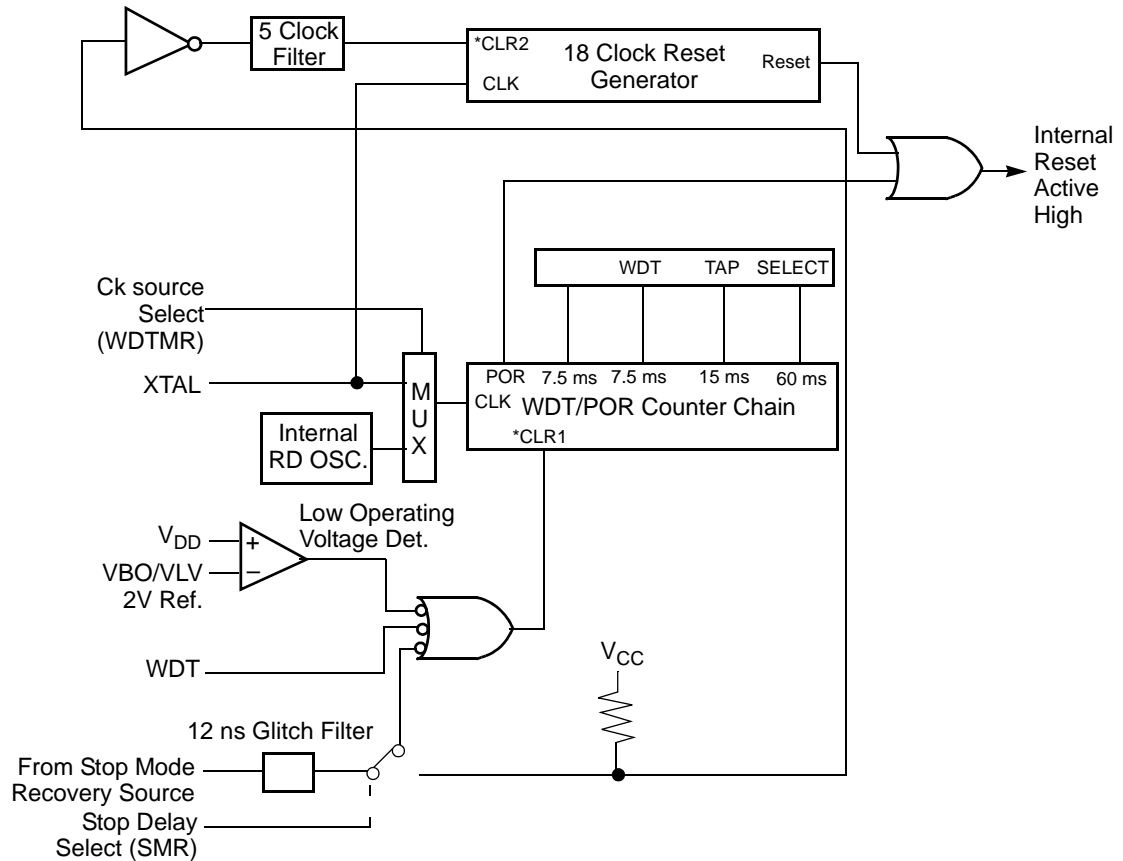


Figure 51. Resets and WDT



Mask Selectable Options

There are seven Mask Selectable Options to choose from based on ROM code requirements. These are listed in Table 26.

Table 26. Mask Selectable Options

RC/Other	RC/XTAL
32 kHz XTAL	On/Off
Port 20–27 Pull-Ups	On/Off
Port 31–33 Pull-Ups	On/Off
Port 3 Mouse Mode 0.4 V_{DD} Trip	On/Off

Brown-out Voltage/Standby

An on-chip Voltage Comparator checks that the V_{CC} is at the required level for correct operation of the device. Reset is globally driven when V_{CC} falls below V_{BO} . A further small drop in V_{CC} causes the XTAL1 and XTAL2 circuitry to stop the crystal or resonator clock. Typical low-voltage power consumption in this Low Voltage Standby mode (I_{LV}) is about 20 μ A. If the V_{CC} is allowed to stay above V_{ram} , the RAM content is preserved. When the power level is returned to above V_{BO} , the device performs a POR and functions normally.

Ordering Information

Figure 52 shows the 20-pin SOIC package diagram. Figure 53 on page 69 shows the 20-pin DIP package diagram. Figure 54 on page 70 shows the 20-pin SSOP package diagram.

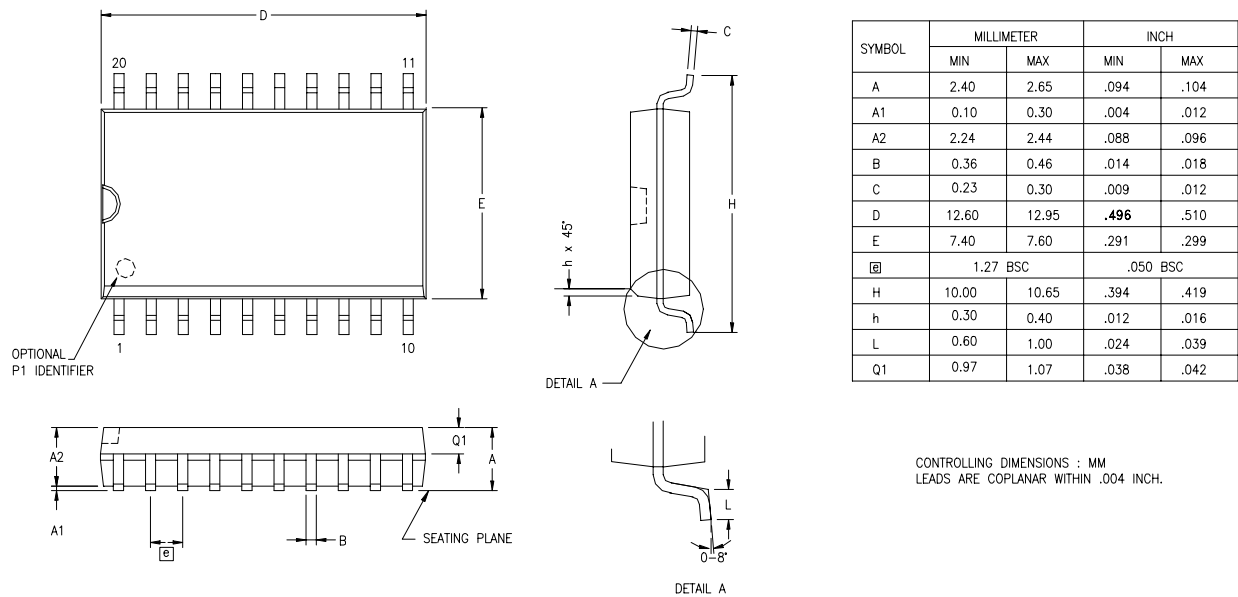
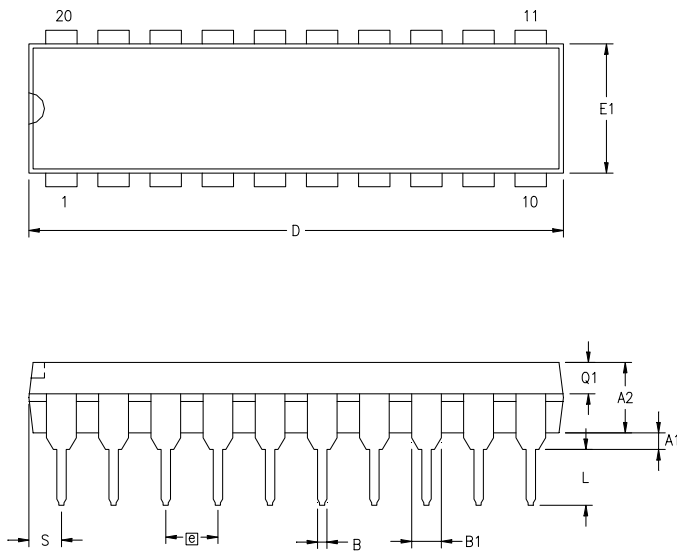
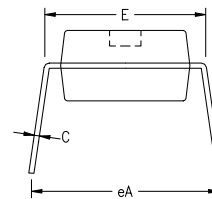


Figure 52. 20-Pin SOIC Package Diagram



SYMBOL	MILLIMETER		INCH	
	MIN	MAX	MIN	MAX
A1	0.38	0.81	.015	.032
A2	3.25	3.68	.128	.145
B	0.41	0.51	.016	.020
B1	1.47	1.57	.058	.062
C	0.20	0.30	.008	.012
D	25.65	26.16	1.010	1.030
E	7.49	8.26	.295	.325
E1	6.10	6.65	.240	.262
⊕	2.54 BSC		.100 BSC	
eA	7.87	9.14	.310	.360
L	3.18	3.43	.125	.135
Q1	1.42	1.65	.056	.065
S	1.52	1.65	.060	.065



CONTROLLING DIMENSIONS : INCH

Figure 53. 20-Pin DIP Package Diagram

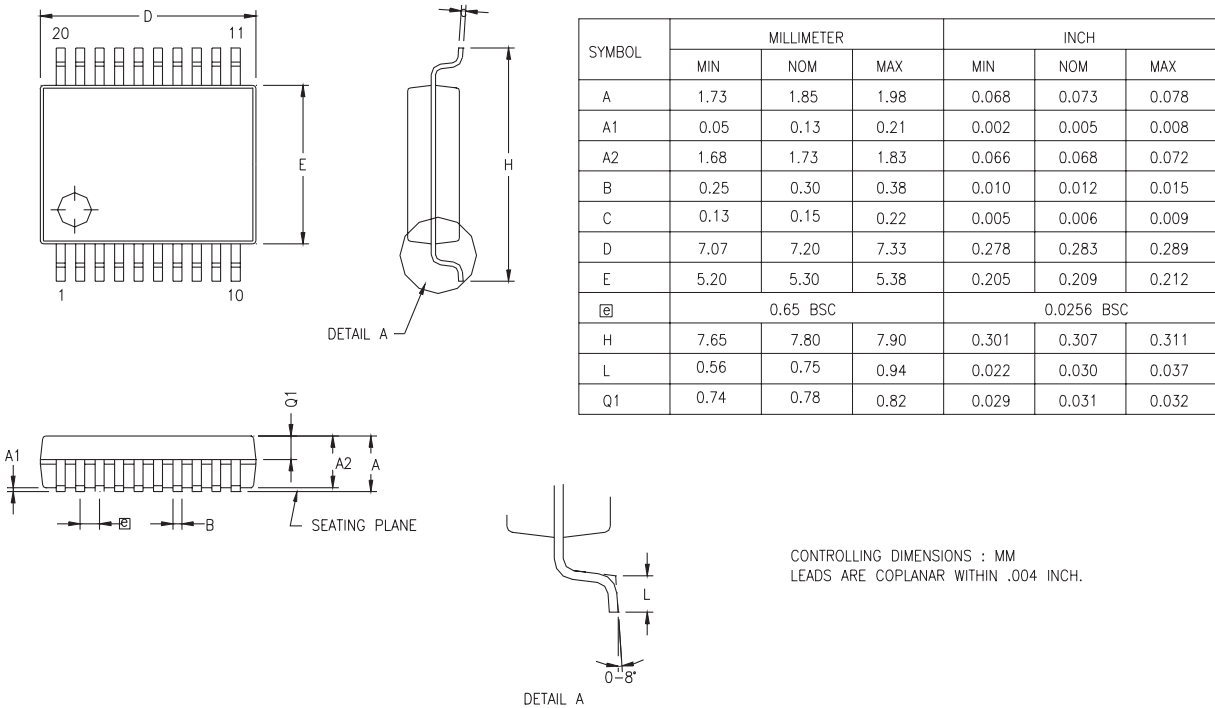


Figure 54. 20-Pin SSOP Package Diagram

Z86L825/826/827

Ordering Code	ROM Size	Package	Temperature
Z86L825PZ008SC	4K	PDIP	0 °C to +70 °C
Z86L826PZ008SC	8K	PDIP	0 °C to +70 °C
Z86L827PZ008SC	16K	PDIP	0 °C to +70 °C
Z86L825SZ008SC	4K	SOIC	0 °C to +70 °C
Z86L826SZ008SC	8K	SOIC	0 °C to +70 °C
Z86L827SZ008SC	16K	SOIC	0 °C to +70 °C
Z86L825HZ008SC	4K	SSOP	0 °C to +70 °C
Z86L826HZ008SC	8K	SSOP	0 °C to +70 °C
Z86L827HZ008SC	16K	SSOP	0 °C to +70 °C

For fast results, contact your local ZiLOG sales office for assistance in ordering the part desired.



Codes

Figure 55 shows an example of what the ordering codes represent.

Example:

Z 86L825 S Z 008 S C is a Z86L825, SOIC, 8 MHz, 0 °C to 70 °C, Plastic Standard Flow

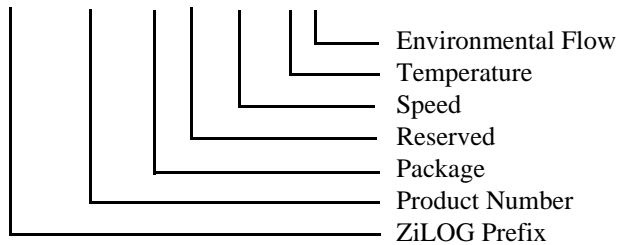


Figure 55. Ordering Codes Example

Package

P = Plastic DIP
S = SOIC (Small Outline Integrated Circuit)
H = SSOP (Shrink Small Outline Package)

Temperature

S = 0 °C to +70 °C

Speed

8 = 8.0 MHz

Environmental

C = Plastic Standard

Precharacterization Product

The product represented by this document is newly introduced and ZiLOG has not completed the full characterization of the product. The document states what ZiLOG knows about this product at this time, but additional features or nonconformance with some aspects of the document may be found, either by ZiLOG or its customers in the course of further application and characterization work. In addition, ZiLOG cautions that delivery may be uncertain at times, due to startup yield issues.



Customer Feedback Form

Z86L825/826/827 20-Pin Low-Voltage IR Microcontrollers

If you experience any problems while operating this product, or if you note any inaccuracies while reading this product specification, please copy and complete this form, then mail or fax it to ZiLOG (see *Return Information*, below). We also welcome your suggestions!

Customer Information

Name	Country
Company	Phone
Address	Fax
City/State/Zip	email

Product Information

Serial # or Board Fab #/Rev #
Software Version
Document Number
Host Computer Description/Type

Return Information

ZiLOG
System Test/Customer Support
532 Race Street
San Jose, CA 95126-3432
Fax: (408) 558-8300
Web address: www.zilog.com

Problem Description or Suggestion

Provide a complete description of the problem or your suggestion. If you are reporting a specific problem, include all steps leading up to the occurrence of the problem. Attach additional pages as necessary.
