

## General Description

The AO7401 uses advanced trench technology to provide excellent  $R_{DS(ON)}$ , low gate charge, and operation with gate voltages as low as 2.5V, in the small SOT323 footprint. It can be used for a wide variety of applications, including load switching, low current inverters and low current DC-DC converters.

## Features

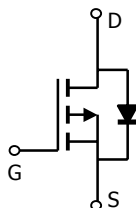
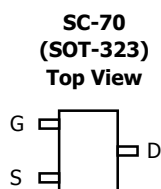
$$V_{DS} (V) = -30V$$

$$I_D = -1.2A$$

$$R_{DS(ON)} < 150m\Omega (V_{GS} = -10V)$$

$$R_{DS(ON)} < 200m\Omega (V_{GS} = -4.5V)$$

$$R_{DS(ON)} < 280m\Omega (V_{GS} = -2.5V)$$



### Absolute Maximum Ratings $T_A=25^\circ C$ unless otherwise noted

Parameter	Symbol	Maximum	Units
Drain-Source Voltage	$V_{DS}$	-30	V
Gate-Source Voltage	$V_{GS}$	$\pm 12$	V
Continuous Drain Current <sup>A</sup>	$T_A=25^\circ C$	-1.2	A
	$T_A=70^\circ C$	-1.0	
Pulsed Drain Current <sup>B</sup>	$I_{DM}$	-10	
Power Dissipation <sup>A</sup>	$T_A=25^\circ C$	0.35	W
	$T_A=70^\circ C$	0.22	
Junction and Storage Temperature Range	$T_J, T_{STG}$	-55 to 150	$^\circ C$

### Thermal Characteristics

Parameter	Symbol	Typ	Max	Units
Maximum Junction-to-Ambient <sup>A</sup>	$R_{\theta JA}$	300	360	$^\circ C/W$
Maximum Junction-to-Ambient <sup>A</sup>		Steady-State	350	
Maximum Junction-to-Lead <sup>C</sup>	$R_{\theta JL}$	280	320	$^\circ C/W$

Electrical Characteristics ( $T_J=25^\circ\text{C}$  unless otherwise noted)

Symbol	Parameter	Conditions	Min	Typ	Max	Units
<b>STATIC PARAMETERS</b>						
$BV_{DSS}$	Drain-Source Breakdown Voltage	$I_D=-250\mu\text{A}$ , $V_{GS}=0\text{V}$	-30			V
$I_{DSS}$	Zero Gate Voltage Drain Current	$V_{DS}=-24\text{V}$ , $V_{GS}=0\text{V}$ $T_J=55^\circ\text{C}$			-1 -5	$\mu\text{A}$
$I_{GSS}$	Gate-Body leakage current	$V_{DS}=0\text{V}$ , $V_{GS}=\pm 12\text{V}$			$\pm 100$	nA
$V_{GS(th)}$	Gate Threshold Voltage	$V_{DS}=V_{GS}$ , $I_D=-250\mu\text{A}$	-0.6	-1	-1.4	V
$I_{D(ON)}$	On state drain current	$V_{GS}=-4.5\text{V}$ , $V_{DS}=-5\text{V}$	-10			A
$R_{DS(ON)}$	Static Drain-Source On-Resistance	$V_{GS}=-10\text{V}$ , $I_D=-1.2\text{A}$ $T_J=125^\circ\text{C}$		122 173	150 220	$\text{m}\Omega$
		$V_{GS}=-4.5\text{V}$ , $I_D=-1.2\text{A}$		147	200	$\text{m}\Omega$
		$V_{GS}=-2.5\text{V}$ , $I_D=-1\text{A}$		207	280	$\text{m}\Omega$
$g_{FS}$	Forward Transconductance	$V_{DS}=-5\text{V}$ , $I_D=-1.2\text{A}$	3	4.5		S
$V_{SD}$	Diode Forward Voltage	$I_S=-1\text{A}$ , $V_{GS}=0\text{V}$		-0.85	-1	V
$I_S$	Maximum Body-Diode Continuous Current				-0.5	A
<b>DYNAMIC PARAMETERS</b>						
$C_{iss}$	Input Capacitance	$V_{GS}=0\text{V}$ , $V_{DS}=-15\text{V}$ , $f=1\text{MHz}$		409		pF
$C_{oss}$	Output Capacitance			55		pF
$C_{rSS}$	Reverse Transfer Capacitance			42		pF
$R_g$	Gate resistance	$V_{GS}=0\text{V}$ , $V_{DS}=0\text{V}$ , $f=1\text{MHz}$		12		$\Omega$
<b>SWITCHING PARAMETERS</b>						
$Q_g$	Total Gate Charge	$V_{GS}=-4.5\text{V}$ , $V_{DS}=-15\text{V}$ , $I_D=-1\text{A}$		5.06		nC
$Q_{gs}$	Gate Source Charge			0.72		nC
$Q_{gd}$	Gate Drain Charge			1.58		nC
$t_{D(on)}$	Turn-On DelayTime	$V_{GS}=-10\text{V}$ , $V_{DS}=-15\text{V}$ , $R_L=15\Omega$ , $R_{GEN}=3\Omega$		6.2		ns
$t_r$	Turn-On Rise Time			3.2		ns
$t_{D(off)}$	Turn-Off DelayTime			41.2		ns
$t_f$	Turn-Off Fall Time			14.5		ns
$t_{rr}$	Body Diode Reverse Recovery Time	$I_F=-1\text{A}$ , $dI/dt=100\text{A}/\mu\text{s}$		13.2		ns
$Q_{rr}$	Body Diode Reverse Recovery Charge	$I_F=-1\text{A}$ , $dI/dt=100\text{A}/\mu\text{s}$		5.4		nC

A: The value of  $R_{\theta JA}$  is measured with the device mounted on 1in<sup>2</sup> FR-4 board with 2oz. Copper, in a still air environment with  $T_A=25^\circ\text{C}$ . The value in any a given application depends on the user's specific board design. The current rating is based on the  $t \leq 10\text{s}$  thermal resistance rating.

B: Repetitive rating, pulse width limited by junction temperature.

C: The  $R_{\theta JA}$  is the sum of the thermal impedance from junction to lead  $R_{\theta JL}$  and lead to ambient.

D: The static characteristics in Figures 1 to 6, 12, 14 are obtained using 80 $\mu\text{s}$  pulses, duty cycle 0.5% max.

E: These tests are performed with the device mounted on 1 in<sup>2</sup> FR-4 board with 2oz. Copper, in a still air environment with  $T_A=25^\circ\text{C}$ . The SOA curve provides a single pulse rating.

TYPICAL ELECTRICAL AND THERMAL CHARACTERISTICS

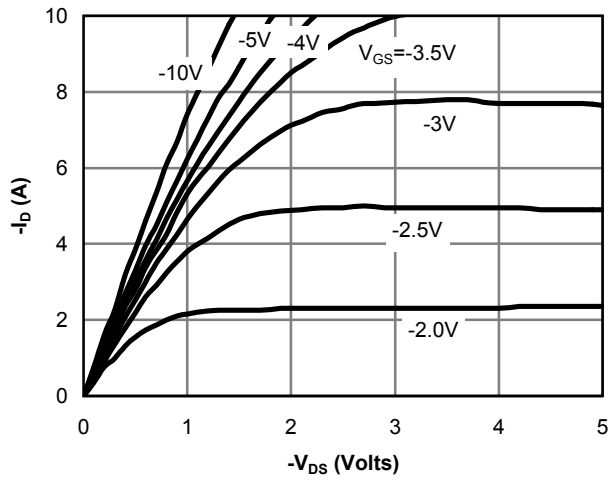


Fig 1: On-Region Characteristics

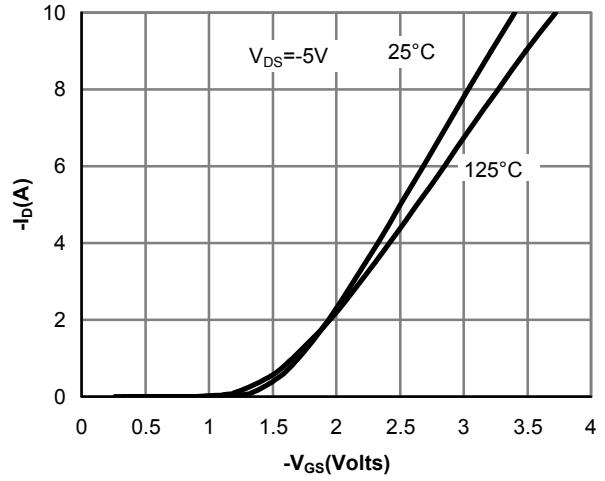


Figure 2: Transfer Characteristics

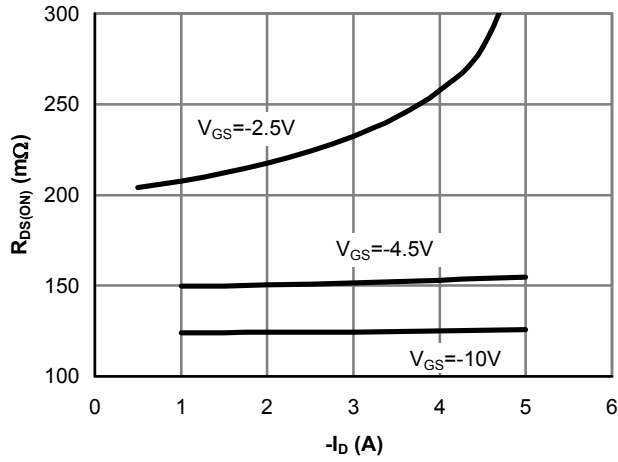


Figure 3: On-Resistance vs. Drain Current and Gate Voltage

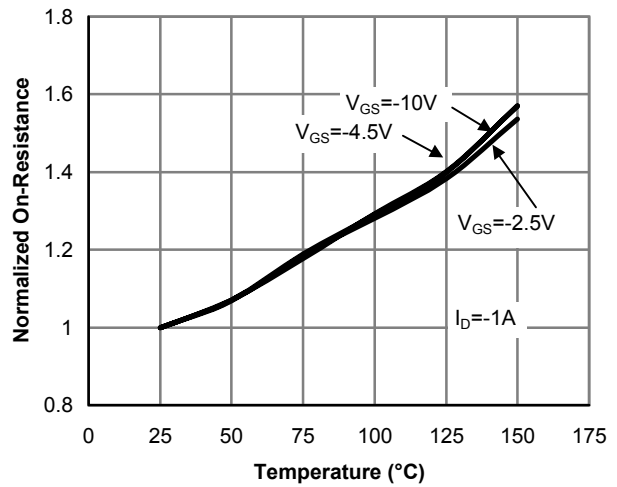


Figure 4: On-Resistance vs. Junction Temperature

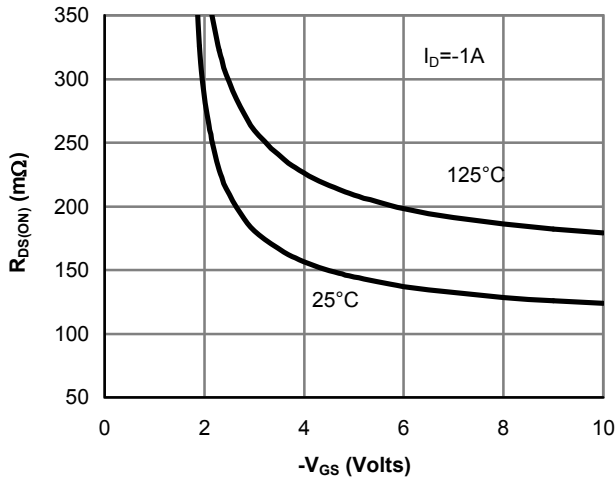


Figure 5: On-Resistance vs. Gate-Source Voltage

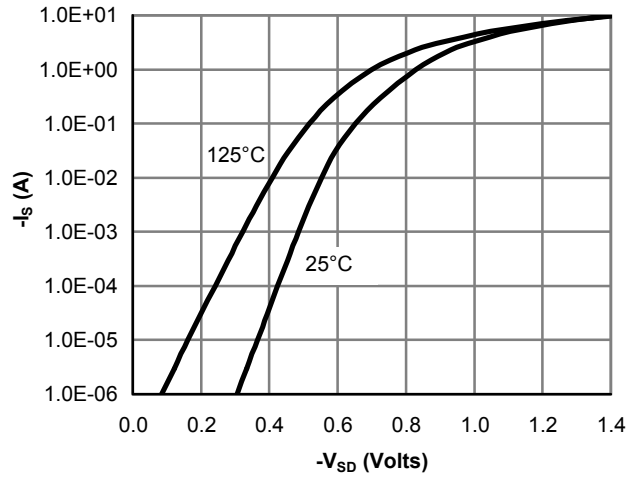


Figure 6: Body-Diode Characteristics

TYPICAL ELECTRICAL AND THERMAL CHARACTERISTICS

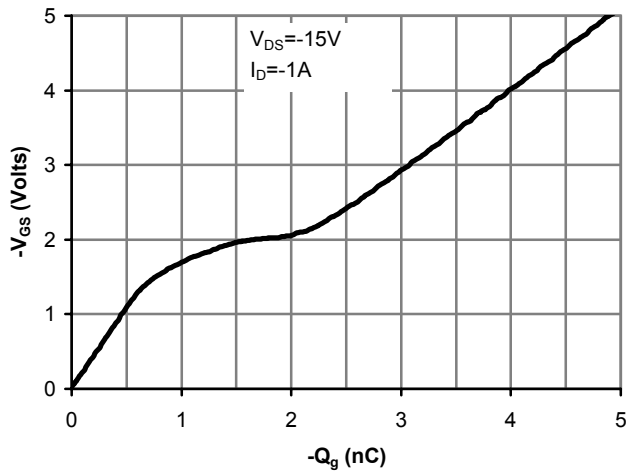


Figure 7: Gate-Charge Characteristics

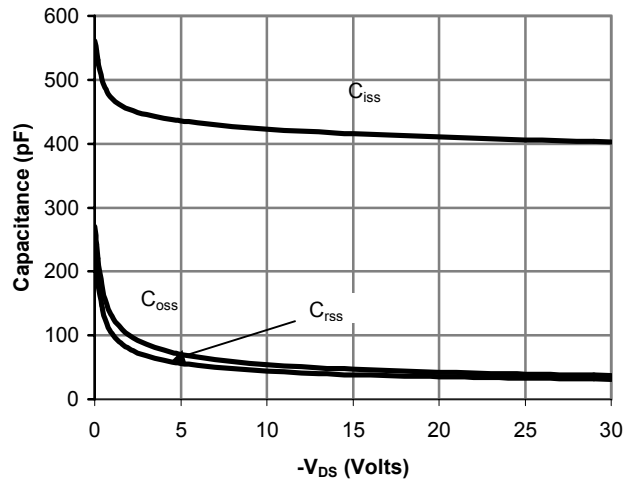


Figure 8: Capacitance Characteristics

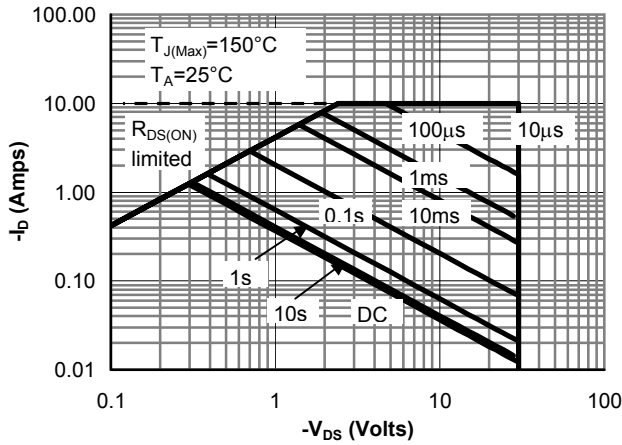


Figure 9: Maximum Forward Biased Safe Operating Area (Note E)

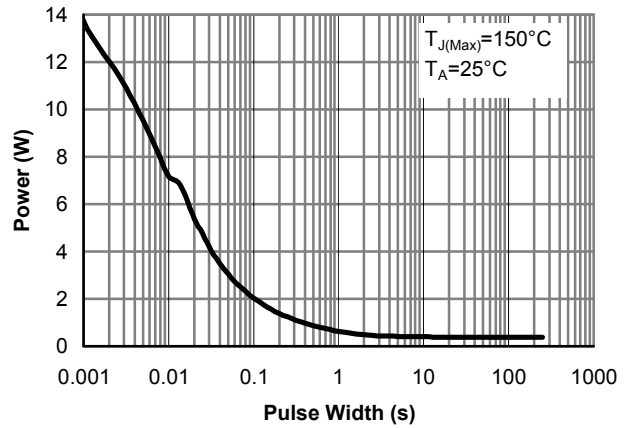


Figure 10: Single Pulse Power Rating Junction-to-Ambient (Note E)

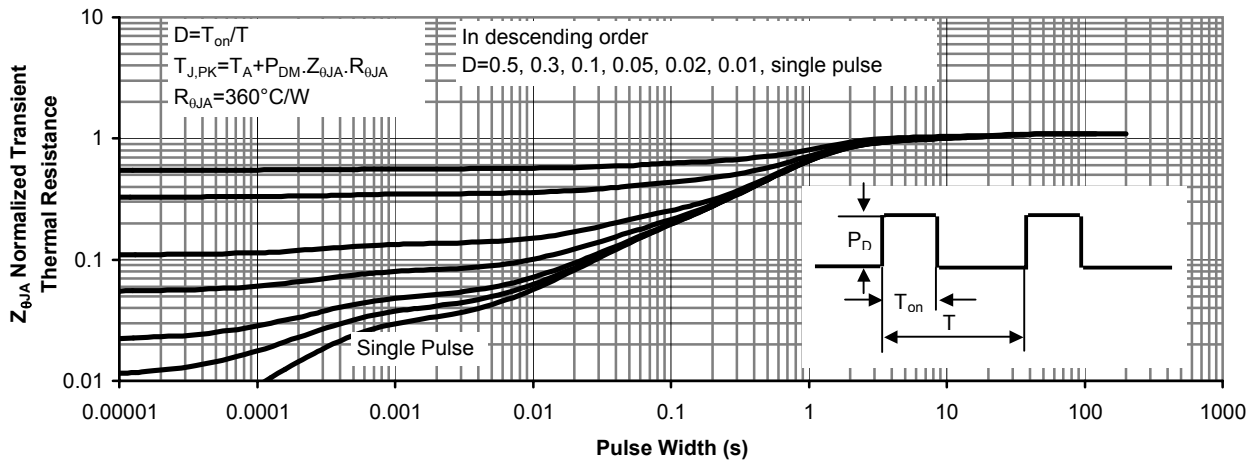
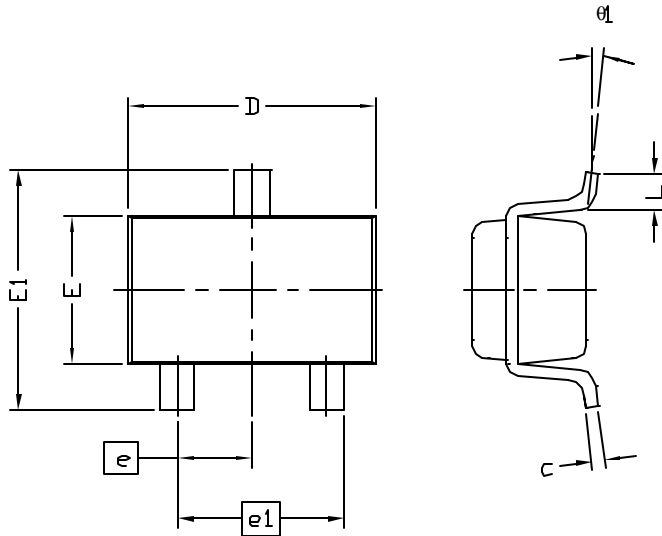


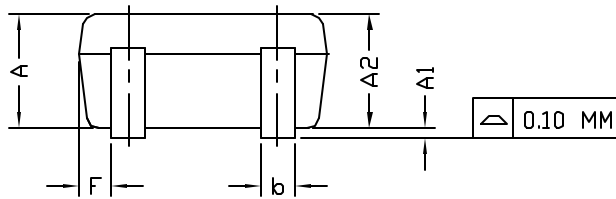
Figure 11: Normalized Maximum Transient Thermal Impedance

## SC-70 3L Package Data

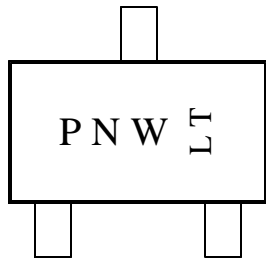


SYMBOLS	DIMENSIONS IN MILLIMETERS	
	MIN	MAX
A	0.90	1.10
A1	0.00	0.10
A2	0.90	1.00
b	0.25	0.40
C	0.10	0.20
D	1.80	2.20
E	1.15	1.35
E1	2.00	2.20
F	0.30	0.40
e	0.65 BSC	
e1	1.30 BSC	
L	0.10	0.30
$\theta L$	1°	8°

- NOTE:  
 1. LEAD FINISH: 150 MICRONS (3.8  $\mu$ m) MIN.  
 THICKNESS OF Tin/Lead (SOLDER) PLATED ON LEAD  
 2. TOLERANCE  $\pm$ 0.10 mm (4 mil) UNLESS OTHERWISE SPECIFIED  
 3. COPLANARITY : 0.10 mm  
 4. OTHER NAME OF THIS PACKAGE IS CALLED SOT-323



### PACKAGE MARKING DESCRIPTION

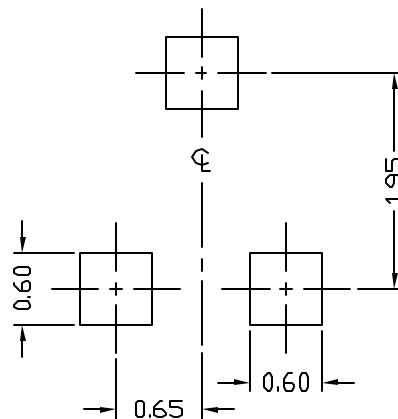


### SC-70 3L PART NO. CODE

PART NO.	CODE
AO7401	1

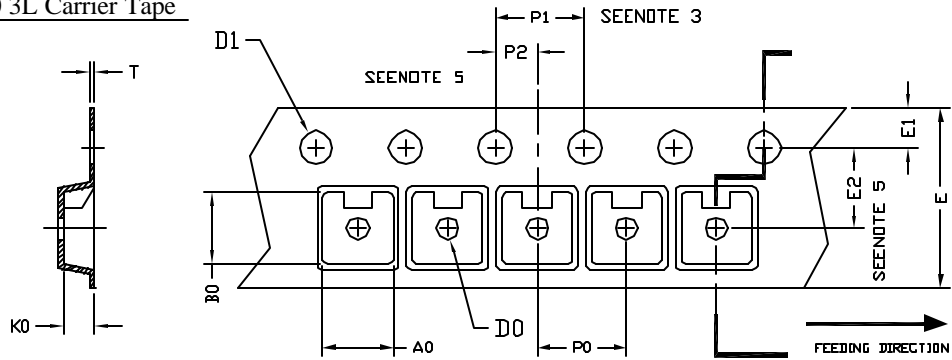
- NOTE:  
 P - PART NUMBER CODE.  
 N - FOUNDRY AND ASSEMBLY LOCATION CODE  
 W - YEAR AND WEEK CODE.  
 L T - ASSEMBLY LOT CODE.

### RECOMMENDATION OF LAND PATTERN



Rev. A

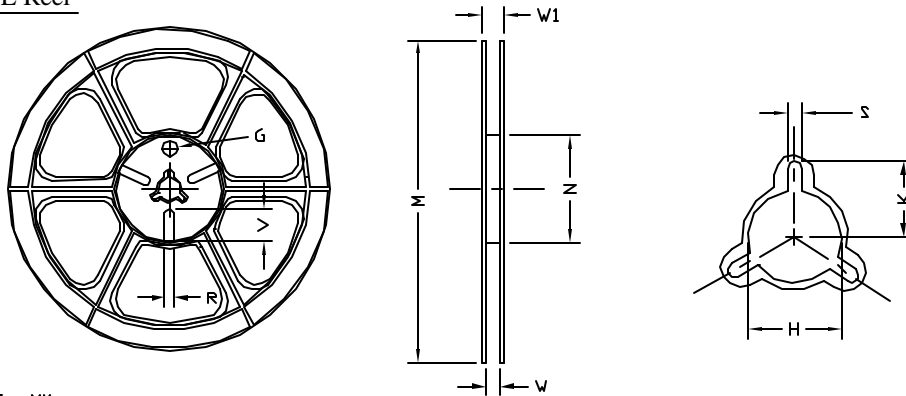
## SC-70 3L Carrier Tape



UNIT: MM

PACKAGE	A0	B0	K0	D0	D1	E	E1	E2	P0	P1	P2	T
SC-70, 3L (B mm)	2.40 ±0.10	2.40 ±0.10	1.19 ±0.10	1.00 MIN	1.55 ±0.05	8.00 ±0.30	1.75 ±0.10	3.50 ±0.05	4.00 ±0.10	4.00 ±0.10	2.00 ±0.05	0.25 ±0.05

## SC-70 3L Reel



UNIT: MM

TAPE SIZE	REEL SIZE	M	N	W	W1	H	K	S	G	R	V
8 mm	φ180	φ180.00 ±0.50	φ60.50	9.00 ±0.30	11.40 ±1.00	φ13.00 +0.50 -0.20	10.60	2.00 ±0.50	φ9.00	5.00	18.00

## SC-70 3L Tape

Leader / Trailer  
& Orientation

