

Spezifikation für Freigabe / specification for release

Kunde / customer :

Artikelnummer / part number :

744042221



Bezeichnung :

SPEICHERDROSSEL WE-TPC

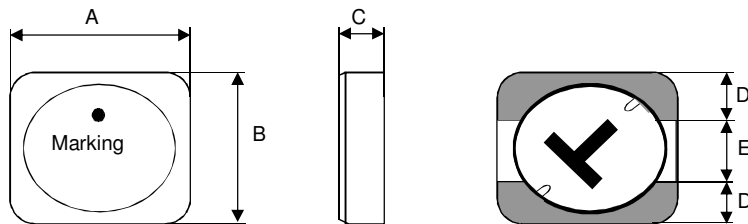
description :

POWER-CHOKE WE-TPC

WÜRTH ELEKTRONIK

DATUM / DATE : 2012-02-07

A Mechanische Abmessungen / dimensions:



Type 4818		
A	4,8 ± 0,2	mm
B	4,8 ± 0,2	mm
C	1,8 ± 0,2	mm
D	1,60 typ.	mm
E	1,60 typ.	mm

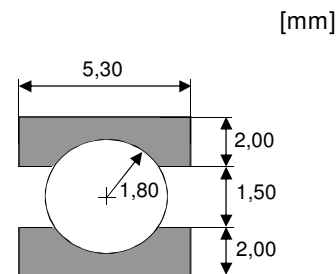
● = Start of winding

Marking = Inductance code

B Elektrische Eigenschaften / electrical properties:

Eigenschaften / properties	Testbedingungen / test conditions		Wert / value	Einheit / unit	tol.
Induktivität / inductance	100 kHz / 0,1V	L	220.00	μH	± 30%
DC-Widerstand / DC-resistance	@ 20 °C	R _{DC typ}	2.880	Ω	typ.
DC-Widerstand / DC-resistance	@ 20 °C	R _{DC max}	3.200	Ω	max.
Nennstrom / rated current	ΔT=30 K	I _R	200	mA	max.
Sättigungsstrom / saturation current	 ΔL/L <35%	I _{sat}	160	mA	typ.
Eigenres.-Frequenz / self-res.-frequency		f _{res}	7.0	MHz	typ.

C Lötpad / soldering spec.:



D Prüfgeräte / test equipment:

Wayne Kerr 3260B für/for L, I_{sat}

GMC Metrahit 271 Milliohmometer für/for R_{DC}

Dostmann T600 Thermometer für/for I_R

Agilent 4396B für/for f_{res}

E Testbedingungen / test conditions:

Luftfeuchtigkeit / humidity:

33%

Umgebungstemperatur / temperature:

+20 °C

F Werkstoffe & Zulassungen / material & approvals:

Basismaterial / base material:

Ferrit

Draht / wire:

Class H

Endoberfläche / finishing electrode:

Sn/Ag/Cu - 96.5/3.0/0.5%

G Eigenschaften / general specifications:

Betriebstemp. / operating temperature: -40 °C - + 125 °C

Umgebungstemp. / ambient temperature: -40 °C - + 95 °C

It is recommended that the temperature of the part does not exceed 125 °C under worst case operating conditions.

Freigabe erteilt / general release:	Kunde / customer		
Datum / date	Unterschrift / signature		
	Würth Elektronik		
Geprüft / checked	Kontrolliert / approved	CZ	Version 1 12-02-07
		Name	Änderung / modification Datum / date

Würth Elektronik eiSos GmbH & Co.KG

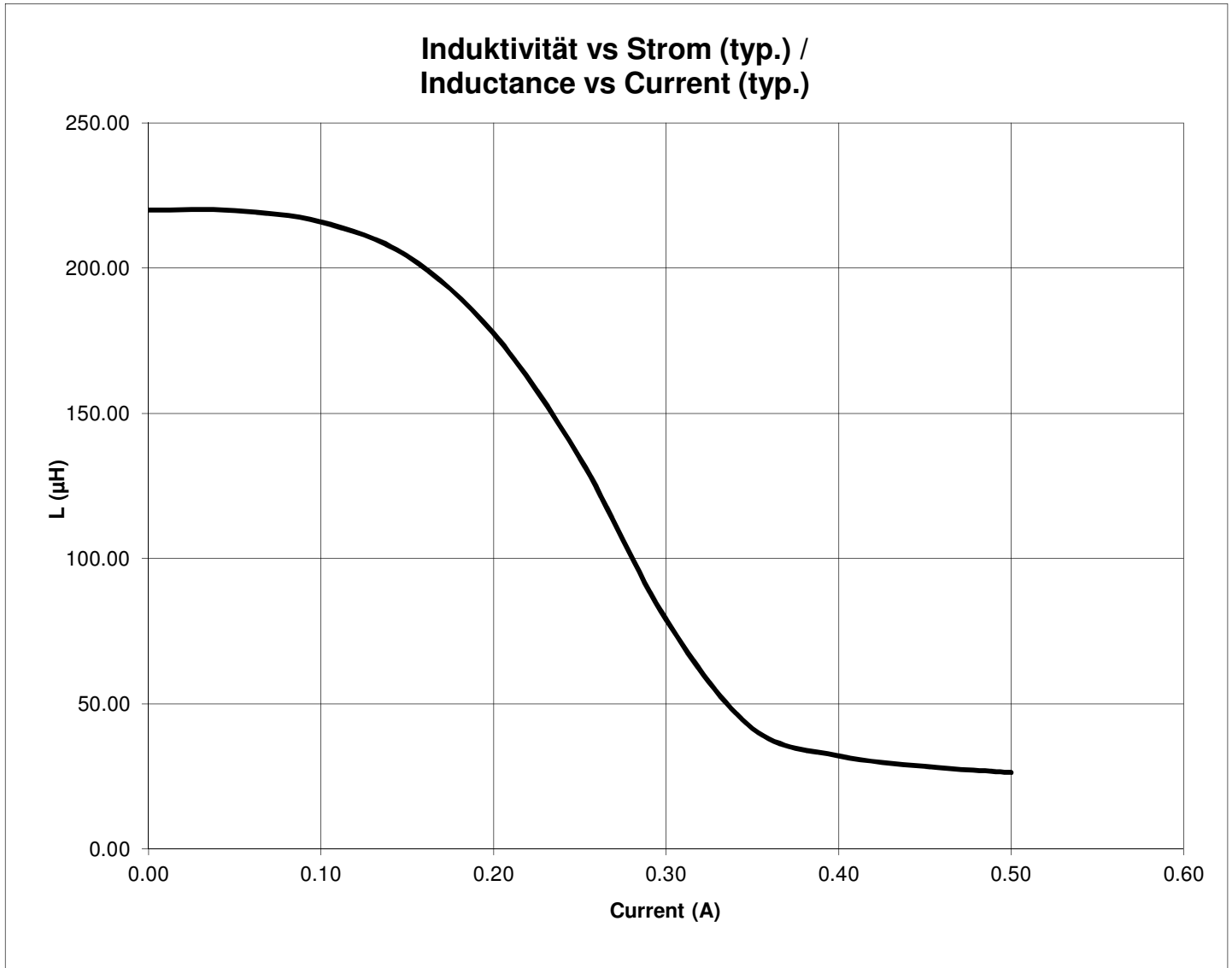
D-74638 Waldenburg · Max-Eyth-Strasse 1 - 3 · Germany · Telefon (+49) (0) 7942 - 945 - 0 · Telefax (+49) (0) 7942 - 945 - 400
http://www.we-online.com

Spezifikation für Freigabe / specification for release

Kunde / customer :
 Artikelnummer / part number : **744042221**
 Bezeichnung : **SPEICHERDROSSEL WE-TPC**
 description : **POWER-CHOKE WE-TPC**



H Induktivitätskurve / Inductance curve :



Freigabe erteilt / general release:	Kunde / customer			
Datum / date	Unterschrift / signature			
	Würth Elektronik			
Geprüft / checked	Kontrolliert / approved	CZ	Version 1	12-02-07
		Name	Änderung / modification	Datum / date

Würth Elektronik eiSos GmbH & Co.KG

D-74638 Waldenburg · Max-Eyth-Strasse 1 - 3 · Germany · Telefon (+49) (0) 7942 - 945 - 0 · Telefax (+49) (0) 7942 - 945 - 400
<http://www.we-online.com>

Spezifikation für Freigabe / specification for release

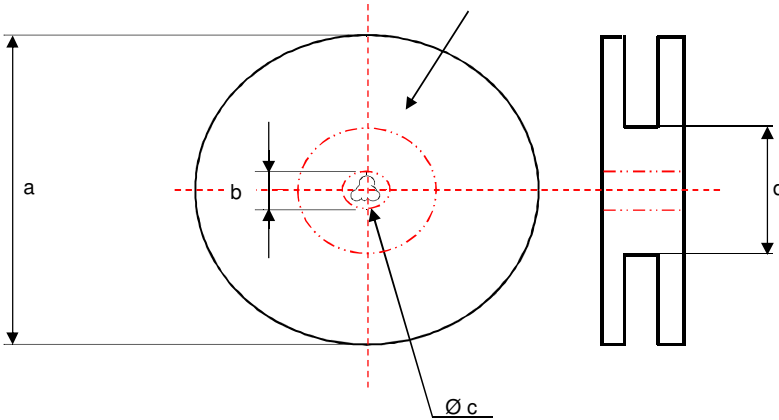
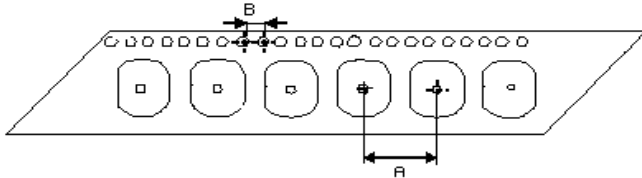
Kunde / customer :
 Artikelnummer / part number : **744042221**
 Bezeichnung : **SPEICHERDROSSEL WE-TPC**
 description : **POWER-CHOKE WE-TPC**



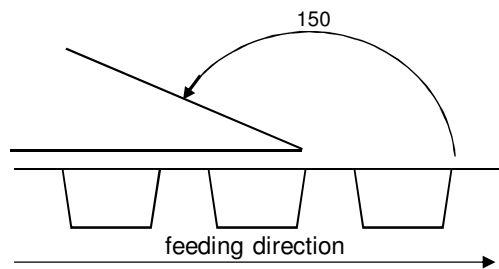
DATUM / DATE : 2012-02-07

I Rollenspezifikation / tape and reel specification:

Gurtspezifikation / Tape specification:		
A	8,0 ±1,0	mm
B	4,0 ±1,0	mm



Rollenspezifikation / Reel specification:		
a	178 ± 0,5	mm
b	20,20 ± 0,1	mm
c	13,00 ± 0,5 ± 1,0	mm
d	50,0 ± 1,0	mm



The force for tearing off cover tape is 20 to 70 grams in arrow direction

Freigabe erteilt / general release:	Kunde / customer		
Datum / date	Unterschrift / signature		
	Würth Elektronik		
Geprüft / checked	Kontrolliert / approved	CZ	Version 1
		Name	Datum / date
		Änderung / modification	12-02-07

This electronic component has been designed and developed for usage in general electronic equipment. Before incorporating this component into any equipment where higher safety and reliability is especially required or if there is the possibility of direct damage or injury to human body, for example in the range of aerospace, aviation, nuclear control, submarine, transportation, (automotive control, train control, ship control), transportation signal, disaster prevention, medical, public information network etc, Würth Elektronik eiSos GmbH must be informed before the design-in stage. In addition, sufficient reliability evaluation checks for safety must be performed on every electronic component which is used in electrical circuits that require high safety and reliability functions or performance.

Würth Elektronik eiSos GmbH & Co.KG

D-74638 Waldenburg · Max-Eyth-Strasse 1 - 3 · Germany · Telefon (+49) (0) 7942 - 945 - 0 · Telefax (+49) (0) 7942 - 945 - 400
<http://www.we-online.com>