

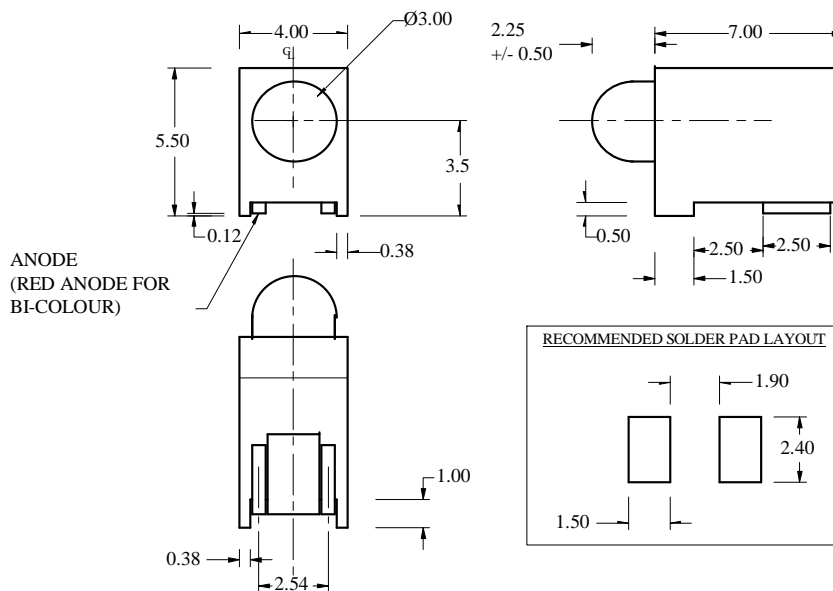
# SML31 SERIES

## SURFACE MOUNT 3mm CIRCULAR BOARD INDICATOR

- ◆ BEDFORD OPTO'S FIRST SURFACE MOUNT TAPED AND REELED LED.
- ◆ SMALL FOOTPRINT
- ◆ HIGH BRIGHTNESS
- ◆ 1250 PER REEL FOR HIGH VOLUME APPLICATIONS
- ◆ DIRECT EQUIVALENT LUMEX SSF-LXH305 SERIES



### MECHANICAL DATA



**BEDFORD OPTO TECHNOLOGY LTD**  
**1,BIGGAR BUSINESS PARK, BIGGAR,LANARKSHIRE, ML12 6FX**  
Tel: +44 (0) 1899 221221 Fax: +44 (0) 1899 221009  
Website: bot.co.uk E-mail: bill@bot.co.uk

ISSC 1.7.08

## ABSOLUTE MAXIMUM RATINGS (T<sub>A</sub> = 25°C)

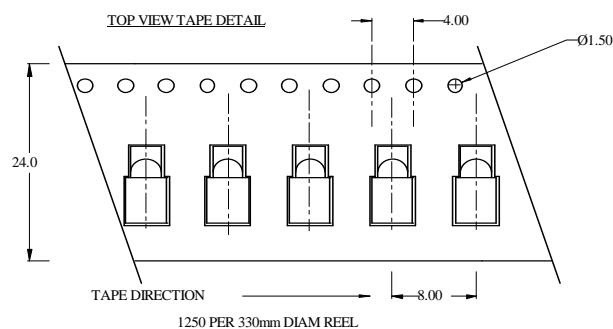
## SML31 SERIES

PARAMETER	SINGLE COLOUR	BI-COLOUR	BLUE
Peak Forward Current	150mA	150mA	100mA
Continuous Forward Current	30mA	30mA	30mA
Power Dissipation [T <sub>amb</sub> <60°C]	100mW	80mW	120mW
Reverse Voltage	5v	5v	5v
Storage Temperature	-40°C to+100°C	-40 to+85°C	-40°C to +85°C
Operating Temperature Range	-40°C to+85C	-40 to +80°C	-40°C to +85°C

## OPTO ELECTRONIC DATA (T<sub>A</sub> = 25°C)

COLOUR	Peak wavelength nm	Viewing Angle 2θ <sup>1/2</sup> deg	Luminous Intensity [If = 20mA] mcd	Forward Voltage [If = 20mA] Volts Max	DIFFUSE PACKAGE COLOUR
RED/	635	40	35	2.6	WHITE
HE RED	635	40	50	2.6	RED
YELLOW	585	40	50	2.6	YELLOW
GREEN	568	40	70	2.6	GREEN
ORANGE	635	40	12	2.6	ORANGE
<b>NEW</b> BLUE	468	50	1000	4	CLEAR

## TAPE AND REEL DETAILS



## ORDERING INFORMATION

Indicate colour by using SML31X X R= Red, Y= Yellow  
G= Green, O= Orange  
B= Blue  
Other colours available

**BEDFORD OPTO TECHNOLOGY LTD**  
**1,BIGGAR BUSINESS PARK, BIGGAR,LANARKSHIRE, ML12 6FX**  
Tel: +44 (0) 1899 221221 Fax: +44 (0) 1899 221009

**IR Reflow soldering profile conforming to IPC9501**

