

**PLEASE CHECK WWW.MOLEX.COM FOR LATEST PART INFORMATION**

**Part Number:** [0465280001](#)  
**Status:** **Active**  
**Overview:** [SPOX™ BMI](#)  
**Description:** 2.50mm (.098") Pitch SPOX™ BMI Receptacle Housing, Single Row, Vertical, 6 Circuits

**Documents:**

[Drawing \(PDF\)](#) [RoHS Certificate of Compliance \(PDF\)](#)

**General**

Product Family	PCB Receptacles
Series	<a href="#">46528</a>
Application	Wire-to-Board
Overview	<a href="#">SPOX™ BMI</a>
Product Name	SPOX BMI™

**Physical**

Circuits (Loaded)	6
Circuits (maximum)	6
Color - Resin	Black
Durability (mating cycles max)	25
Glow-Wire Compliant	No
Lock to Mating Part	Yes
Material - Plating Mating	n/a
Material - Resin	Polyester
Number of Rows	1
Orientation	Vertical
PCB Retention	Yes
Packaging Type	Bag
Pitch - Mating Interface (in)	0.098 In
Pitch - Mating Interface (mm)	2.50 mm
Pitch - Term. Interface (in)	0.098 In
Pitch - Term. Interface (mm)	2.50 mm
Polarized to PCB	Yes
Temperature Range - Operating	-40°C to +105°C
Termination Interface: Style	N/A

**Electrical**

Current - Maximum	3A
Voltage - Maximum	250V AC

**Material Info**

**Reference - Drawing Numbers**

Sales Drawing	SD-46528-001
---------------	--------------

**EU RoHS**

**ELV and RoHS  
Compliant**

**REACH SVHC**

**Contains SVHC: No**

**Halogen-Free**

**Status**

**Not Halogen-Free**

**China RoHS**



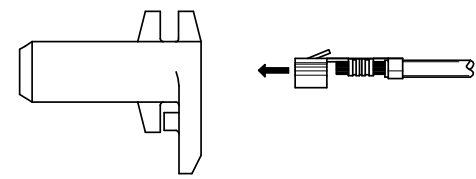
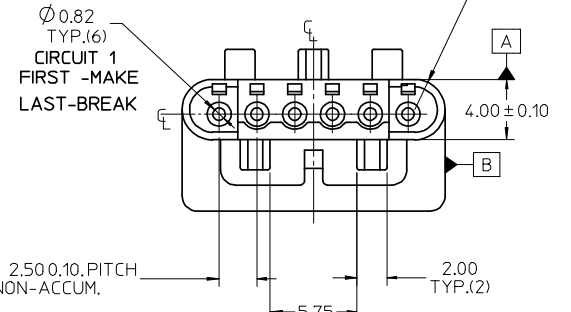
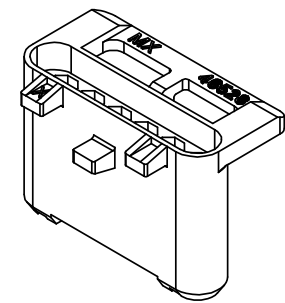
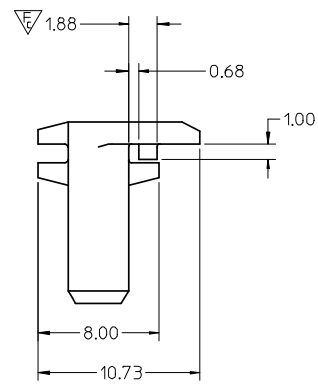
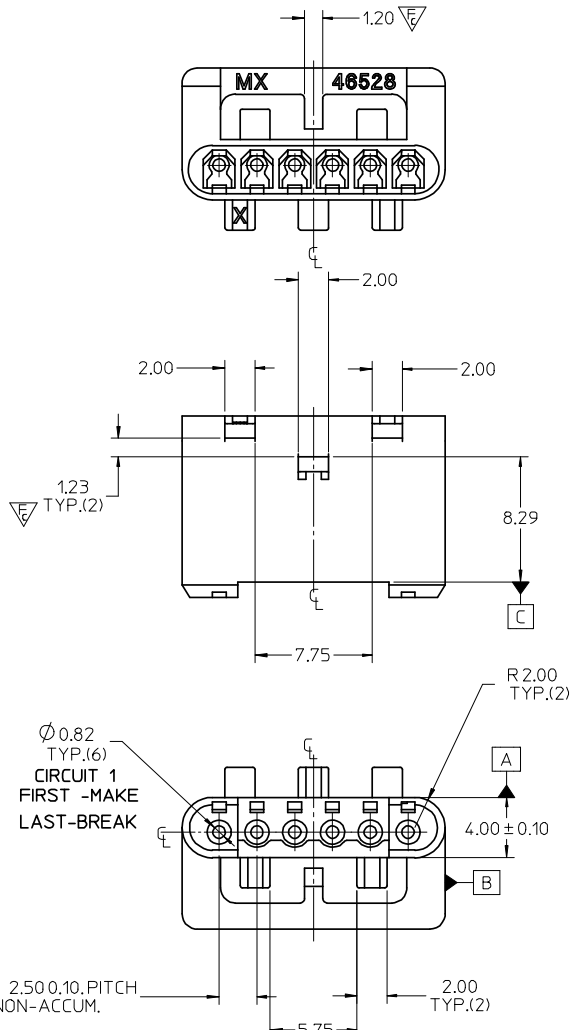
**Need more information on product  
environmental compliance?**

Email [productcompliance@molex.com](mailto:productcompliance@molex.com)  
 For a multiple part number RoHS Certificate of  
 Compliance, [click here](#)

Please visit the [Contact Us](#) section for any  
 non-product compliance questions.

**Search Parts in this Series**

[46528Series](#)



TERMINALS ARE TO BE ORIENTED AND LOADED INTO THE HOUSING AS SHOWN ABOVE

- NOTES:
1. MATERIAL: POLYESTER, UL94V-0, COLOR: BLACK.
  2. PRODUCT SPEC - PS-45579-001.
  3. USES FEMALE CRIMP TERMINALS, SERIES 5263 (NOTE THE ORIENTATION OF TERMINALS).
  4. PART MATES WITH MOLEX HEADER SERIES 46511.
  5. PACKAGING: BULK.
  6. SEE PAGE 2 OF 2 FOR PANEL CUTOUT DIMENSIONS AND THE ALLOWED BOARD TO PANEL MISALIGNMENT.
  7. WHEN THIS PRODUCT IS USED IN A BLIND MATING APPLICATION THE SYSTEM LEVEL DESIGN MUST INCORPORATE GUIDANCE SO THE CONNECTORS ARE WITHIN THE CAPTURE ENVELOPE OF THE FLANGES ON THE HEADER OR PLUG HOUSING AND CAN THUS ALIGN THEMSELVES AS THEY COME TOGETHER. FLOAT IS ALSO REQUIRED IN THE OVERALL DESIGN, TO ALLOW THE PCB RECEPTACLE OR IT'S MATE TO MOVE INTO A STRESS-FREE POSITION AFTER MATING.
  8. THIS PART CONFORMS TO CLASS B REQUIREMENTS OF COSMETIC SPEC PS-45499-002
  9. USE TOOL NUMBER 63813-1400 TO REMOVE TERMINAL FROM HOUSING WHEN NECESSARY. CAUTION: TERMINALS MUST NOT BE REUSED AFTER REMOVAL.

ENTER DESCRIPTION EC NO: UCP2008-3136 DRWNAZBOROWSKI 2008/06/30 CHKD: 2008/06/30 APPR: JCOMERC I 2008/07/09	QUALITY SYMBOLS ▽ = 0	GENERAL TOLERANCES (UNLESS SPECIFIED)		DIMENSION STYLE MM ONLY		SCALE 4:1	DESIGN UNITS METRIC	THIRD ANGLE PROJECTION	
		mm	INCH	DRAWN BY DROSCA	DATE 04/19/2007	TITLE RECEPTACLE HOUSING SINGLE ROW SPOX BMI 6CKT			
A3	▽ = 0	4 PLACES ± --- ± ---		CHECKED BY JCOMERC I	DATE 04/19/2007	MATERIAL NO. 46528-0001			
		3 PLACES ± --- ± ---		APPROVED BY JCOMERC I	DATE 04/19/2007				
	▽ = 0	2 PLACES ± 0.13 ± ---		DOCUMENT NO. SD-46528-001		SHEET NO. 1 OF 2			
	▽ = 0	1 PLACE ± 0.25 ± ---		DRAFT WHERE APPLICABLE MUST REMAIN WITHIN DIMENSIONS					
				THIS DRAWING CONTAINS INFORMATION THAT IS PROPRIETARY TO MOLEX INCORPORATED AND SHOULD NOT BE USED WITHOUT WRITTEN PERMISSION					

