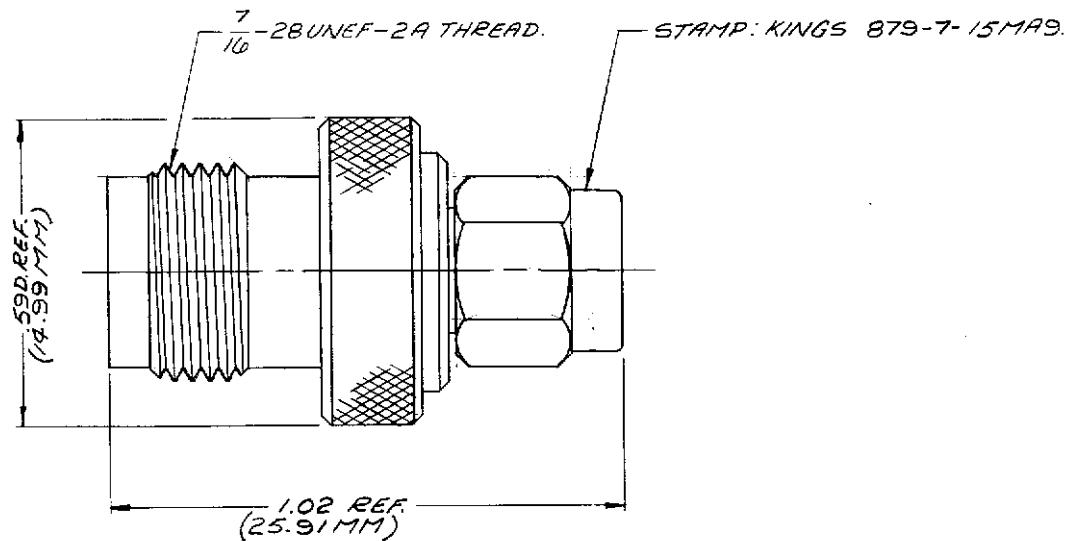


DASH NO. M CODE MADE FROM

REVISIONS	
ISSUE	CHANGES
4	CN 18981A MTB 29 DEC 78

879-7-15MA9



NOTES:

1. MATERIALS:

- INSULATOR - TEFLON, L-P-403.
- GASKET - SILICONE RUBBER, ZZ-R-765.
- TNC BODY - BRASS, QQ-B-620.
- ALL OTHER METAL PARTS - BER. COPPER, QQ-C-530.

2. FINISHES:

- ALL METAL PARTS - HARD GOLD, PLT PER MIL-G-45204B.

3. ELECTRICAL CHARACTERISTIC:

- NOMINAL IMPEDANCE - 50 Ω.
- FREQUENCY RANGE - DC TO 11GH₂.
- WORKING VOLTAGE - 500 VOLTS. RMS.

UNLESS OTHERWISE SPECIFIED:

- 1. TOLERANCES: FRACTIONS & 2 PLACE DECIMALS ± .010
- 3 PLACE DECIMALS ± .004 ANGLES ± 0°30'
- T. I. R. CONCENTRICITY OF ANY 2 DIAMETERS MAY NOT EXCEED HALF THE SUM OF THEIR TOLERANCES.

- 2. REMOVE ALL BURRS, BREAK SHARP EDGES .005 MAX.
- 3. NO FILLETS PERMITTED.
- 4. SURFACE ROUGHNESS 63 MICROINCHES RMS MAX.
- 5. ALL DIMENSIONS PRIOR TO PLATING.
- 6. ALL PLATING IN ACCORDANCE WITH KER 10004.

GSD

GSD

SCALE: 4:1

APPROX. SURFACE AREA:

USED ON:

REF:

ADAPTER
TNC(F) TO SMA(M)

DRAWN CT	DATE 11 JUL 84
APPR. MJB	DATE 27 JUL 84

KINGS
ELECTRONICS CO., INC.
LUDWIG, NEW YORK 10007

879-7-15MA9

GSD