

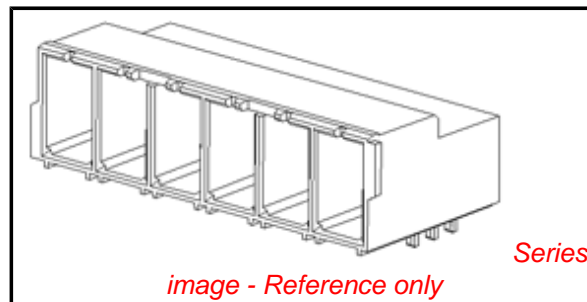
**PLEASE CHECK WWW.MOLEX.COM FOR LATEST PART INFORMATION**

**Part Number:** [0394250005](#)  
**Status:** **Active**  
**Description:** 12.00mm (.472") Pitch Beau™ EuroMax™ Right Angle PCB Header, Closed Ends, 5 Circuits

**Documents:**

[3D Model](#)  
[Drawing \(PDF\)](#)

[RoHS Certificate of Compliance \(PDF\)](#)



**General**

Product Family	Terminal Blocks
Series	<a href="#">39425</a>
Application	Wire-to-Board
Component Type	PCB Header
Product Name	EuroMax™ Pluggable
Type	Euro Block

**Physical**

Circuits (Loaded)	5
Entry Angle	N/A
Lock to Mating Part	Yes
Material - Plating Mating	Tin
Material - Plating Termination	Tin
Number of Rows	1
Orientation	Right Angle
PC Tail Length (in)	0.169 In
PC Tail Length (mm)	4.30 mm
PCB Retention	None
PCB Thickness Recommended (in)	0.125 In
PCB Thickness Recommended (mm)	3.20 mm
Panel Mount	No
Pitch - Mating Interface (in)	0.472 In
Pitch - Mating Interface (mm)	12.00 mm
Plating min: Mating (µin)	150
Plating min: Mating (µm)	3.75
Plating min: Termination (µin)	150
Plating min: Termination (µm)	3.75
Polarized to Mating Part	Yes
Shrouded	Closed Ends
Stackable	No
Temperature Range - Operating	130°C
Termination Interface: Style	Through Hole
Wire Size AWG	N/A

**Electrical**

Current - Maximum per Contact	85A
Voltage - Maximum	600V

**Material Info**

Old Part Number	421905
-----------------	--------

**Reference - Drawing Numbers**

Sales Drawing	SD-39425-001
---------------	--------------

**EU RoHS**

**ELV and RoHS  
Compliant**  
**REACH SVHC**  
 Not Reviewed  
**Halogen-Free  
Status**

**China RoHS**



**Not Reviewed**

**Need more information on product  
environmental compliance?**

Email [productcompliance@molex.com](mailto:productcompliance@molex.com)  
 For a multiple part number RoHS Certificate of Compliance, [click here](#)

Please visit the [Contact Us](#) section for any non-product compliance questions.

**Search Parts in this Series**

[39425Series](#)

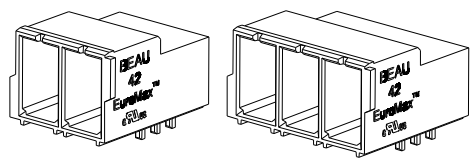
**Mates With**

[39421 Plugs](#)

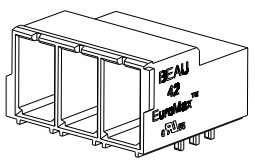
**PLEASE CHECK [WWW.MOLEX.COM](http://WWW.MOLEX.COM) FOR LATEST PART INFORMATION**

LENGTH TABLE

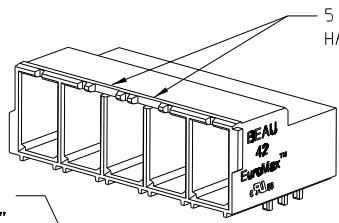
MATERIAL NO.	NO. CIRCUITS	"B"	"A"
394250002	02	12.0 (.472)	28.2 (1.11)
394250003	03	24.0 (.945)	40.2 (1.58)
394250004	04	36.0 (1.417)	52.2 (2.06)
394250005	05	48.0 (1.890)	64.2 (2.53)
394250006	06	60.0 (2.362)	76.2 (3.00)
394250007	07	72.0 (2.835)	88.2 (3.47)
394250008	08	84.0 (3.307)	100.2 (3.95)
394250009	09	96.0 (3.780)	112.2 (4.42)
394250010	10	108.0 (4.252)	124.2 (4.89)



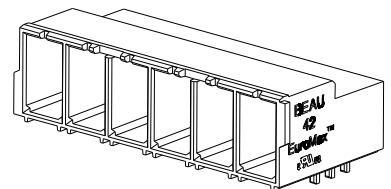
2 AND 3 CIRCUIT HEADERS HAVE NO "PRY SLOTS"



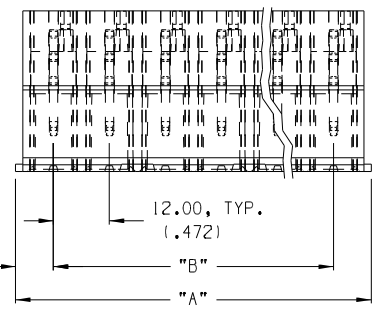
4 CIRCUIT HEADER HAS ONLY ONE "PRY SLOT"



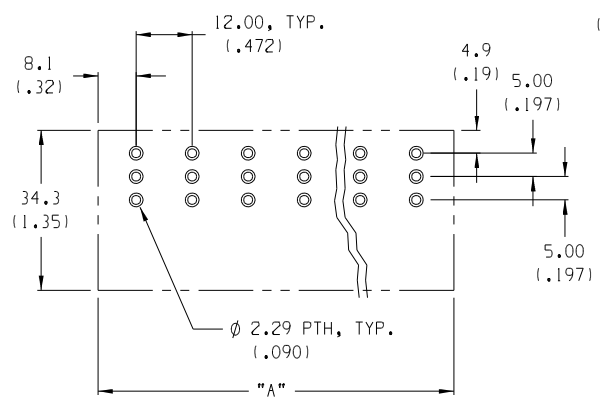
5 THRU 10 CIRCUIT HEADERS HAVE TWO "PRY SLOTS"



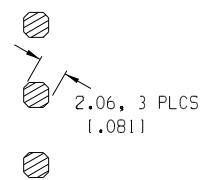
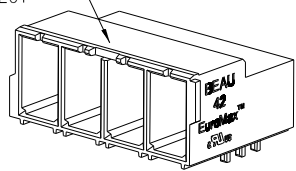
E



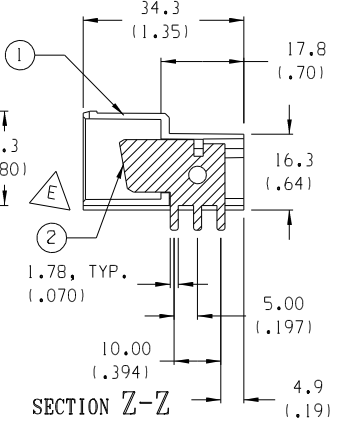
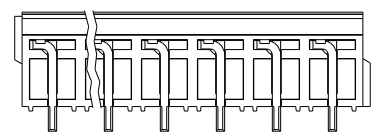
RECOMMENDED PTH PATTERN



- NOTES:
1. MATERIAL: SEE TABLE
  2. FINISHES: SEE TABLE
  3. PRODUCT SPECIFICATION: SEE PPS.42.001
  4. PACKAGING: NOT REQUIRED
  5. MATES WITH: 3942100XX PLUG
  6. XX EQUALS NUMBER OF CIRCUITS



SECTION Y-Y SCALE 3:1



SECTION Z-Z

2	XX	BLADE CONTACT	COPPER	TIN
1	1	MOLDING, HEADER	PBT	BLACK
ITEM	QTY.	DESCRIPTION	MATERIAL	FINISH

EC NO. 11610	DRWNS: RK 12-1-04	QUALITY SYMBOLS
CH*K	APPR:	MAJOR
REV	DESCRIPTION	CRITICAL
		SPC
		S

GENERAL TOLERANCES: (UNLESS SPECIFIED)		SCALE 1:1	DESIGN UNITS
4 PLACES	±.0015	<input type="checkbox"/> mm	<input checked="" type="checkbox"/> INCH
3 PLACES	±.038	DRAWN BY & DATE: GHR 5-14-2003	
2 PLACES	±.13	CHECKED BY & DATE: R. KEMP 8-8-03	
1 PLACE	±.3	APPROVED BY & DATE: G.ROBERTSON 8-8-03	
ANGULAR: ±2°		CAD FILENAME: 4219XX	
DRAFT WHERE APPLICABLE MUST REMAIN WITHIN DIMENSIONS			

PROJECT NO. 03-65	SHT	REV
DIMENSIONS:	REVISE ON CAD ONLY	
<input checked="" type="checkbox"/> mm	<input type="checkbox"/> INCH	<input type="checkbox"/> mm ONLY
TITLE: HEADER, 12MM, 85A, 600V,		
MOLEX INCORPORATED		
MATERIAL NO. SEE CHART	DRAWING NO. SD-39425-001	SHEET NO. 1 OF 1
THIS DRAWING CONTAINS INFORMATION THAT IS PROPRIETARY TO MOLEX INCORPORATED AND SHOULD NOT BE USED WITHOUT WRITTEN PERMISSION.		
SIZE		B