

SWITCHING TYPE POWER SUPPLY APPLICATIONS.

FEATURES

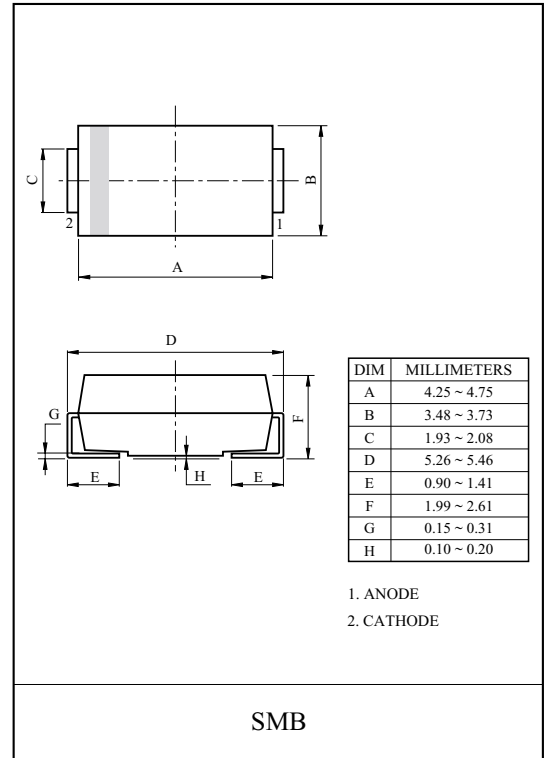
- Low Profile Surface Mount Package.
- Low Power Loss, High Efficiency.
- For Use in Low Voltage, High Frequency inverters, Free Wheeling, and Polarity Protection Applications.

APPLICATION

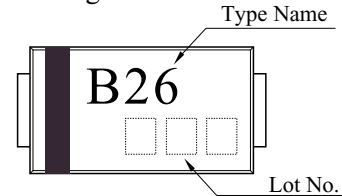
- Switching Power Supply.
- DC/DC Converter.
- Home Appliances, Office Equipment.
- Telecommunication.

MAXIMUM RATING (Ta=25 °C)

| CHARACTERISTIC | SYMBOL | RATING | UNIT |
|--|-----------|-----------|------|
| Maximum Repetitive Peak Reverse Voltage | V_{RRM} | 60 | V |
| Average Output Rectified Current | I_O | 2 | A |
| Peak One Cycle Surge Forward Current (Non-Repetitive 60Hz) | I_{FSM} | 50 | A |
| Junction Temperature | T_j | -40 ~ 150 | °C |
| Storage Temperature Range | T_{stg} | -40 ~ 150 | °C |



Marking

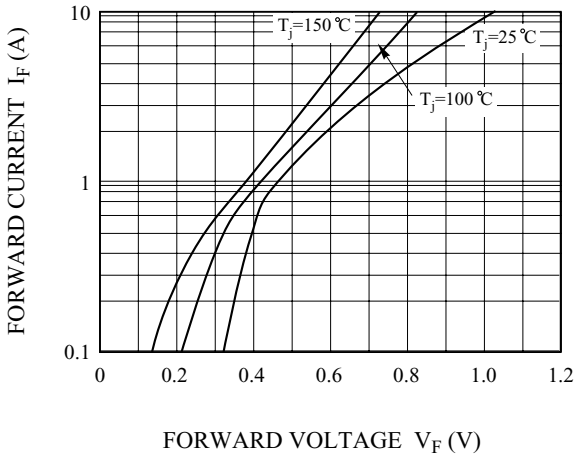


ELECTRICAL CHARACTERISTICS (Ta=25 °C)

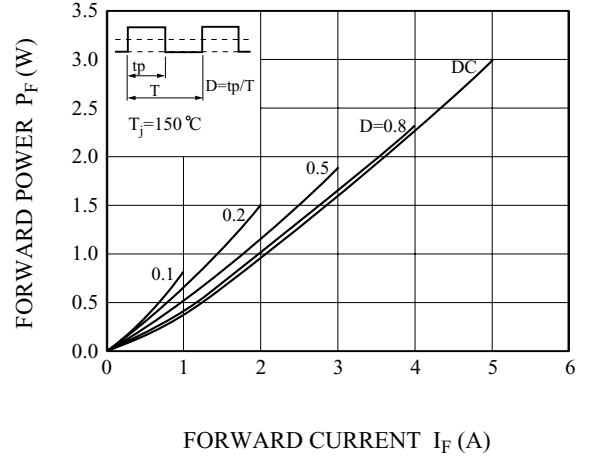
| CHARACTERISTIC | SYMBOL | TEST CONDITION | MIN. | TYP. | MAX. | UNIT |
|---------------------------------|---------------|---|------|------|------|------|
| Peak Forward Voltage | V_{FM} | $I_{FM}=2.0A$ | - | - | 0.65 | V |
| Repetitive Peak Reverse Current | I_{RRM} | $V_{RRM}=\text{Rated}, T_j=25\text{ }^\circ\text{C}$ | - | - | 0.1 | mA |
| | | $V_{RRM}=\text{Rated}, T_j=100\text{ }^\circ\text{C}$ | - | - | 10 | mA |
| Total Capacitance | C_T | $V_R=4V, f=1MHz$ | - | - | 200 | pF |
| Thermal Resistance | $R_{th(j-l)}$ | Junction to lead | - | - | 15 | °C/W |

SMBB26

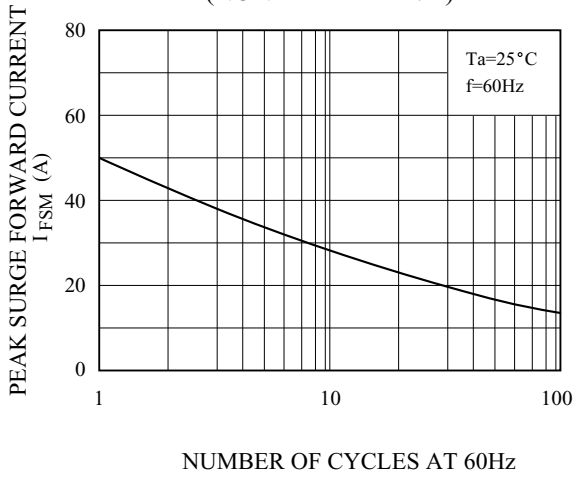
$I_F - V_F$



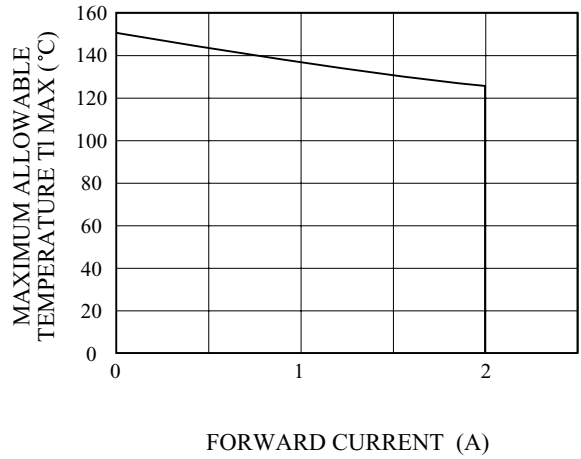
$P_F - I_F$



SURGE FORWARD CURRENT (NON - REPETITIVE)



$T_l - I_F$



$I_R - V_R$

