

ISOLATION TRANSFORMER FOR 10 BASE-T

P/N: TS2023 DATA SHEET

Feature

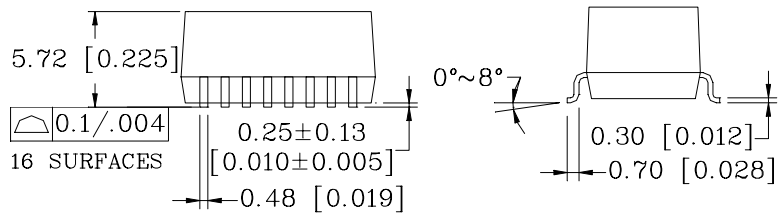
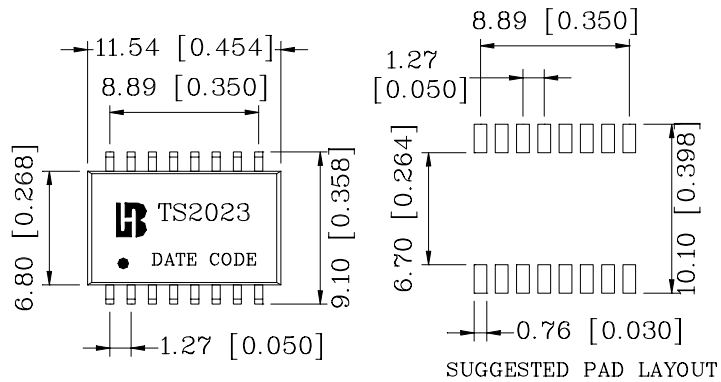
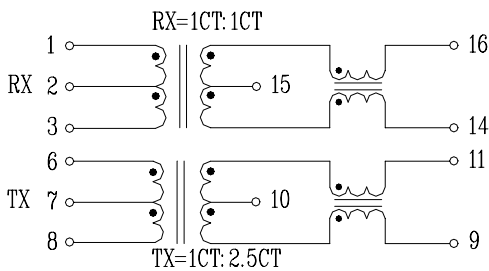


- Designed to Meet or exceed IEEE 802.3, 10 BASE-T Specifications.
- Surface mount, IC grade, transfer-molded package withstands 235°C peak temperature profile.
- Available with common mode chokes for EMI suppression.
- Operation temperature range: 0°C to +70°C.
- Storage temperature range: -25°C to +125°C.

Electrical Specifications @ 25°C				
Part Number	Turns Ratio(±5%)		Sine Wave Inductance (uH Min)	C _{WW} (pF Max)
	TX	RX		
TS2023	1CT: 2.5CT	1CT: 1CT	200	15
Continue				
Part Number	L.L (uH Max)	DCR (Ω max)	PRI pins (6-8)& (1-3)	HI-POT (Vrms)
TS2023	0.5	0.4	(6-8)& (1-3)	2000

Schematic

Mechanical



Units: mm [Inches] Tolerance: xx.x0±0.25 [0.010]
0.xx±0.05 [0.002]