

**PLEASE CHECK WWW.MOLEX.COM FOR LATEST PART INFORMATION**

**Part Number:** [0919540024](#)  
**Status:** **Active**  
**Overview:** [rast 5 connector system](#)  
**Description:** 5.00mm (.197") Appli-Mate 5.0 IDT Connector System Female Receptacle, 4A, 3 Circuit, Natural, Coding Key 01c, Latch Position 1/2, Position Keys 2a, 0.38mm Square Terminal

**Documents:**

[Drawing \(PDF\)](#) [RoHS Certificate of Compliance \(PDF\)](#)  
[Product Specification PS-99020-0037 \(PDF\)](#)

**Agency Certification**

CSA LR19980  
 UL E29179

**General**

Product Family IDT and Solder Connectors  
 Series [91954](#)  
 Comments Position Keys 2a|Coding Key 01c, 02c|Latch Position 1/2  
 Crimp Quality Equipment Yes  
 Overview [rast 5 connector system](#)  
 Product Name RAST 5

**Physical**

Circuits (Loaded) 2  
 Color - Resin Natural  
 Durability (mating cycles max) 10  
 Flammability 94V-2  
 Gender Female  
 Glow-Wire Compliant No  
 Lock to Mating Part Yes  
 Material - Metal Phosphor Bronze  
 Material - Plating Mating Tin  
 Material - Plating Termination Tin  
 Material - Resin Nylon  
 Number of Rows 1  
 Packaging Type Tray  
 Panel Mount No  
 Pitch - Mating Interface (in) 0.197 In  
 Pitch - Mating Interface (mm) 5.00 mm  
 Plating min: Mating (µin) 200  
 Plating min: Mating (µm) 5  
 Plating min: Termination (µin) 200  
 Plating min: Termination (µm) 5  
 Stackable Yes  
 Temperature Range - Operating -20C TO +120C  
 Termination Interface: Style IDT or Pierce  
 Wire Size AWG N/A

**Electrical**

Current - Maximum per Contact 4A  
 Voltage - Maximum 250V

**Material Info**

**Reference - Drawing Numbers**

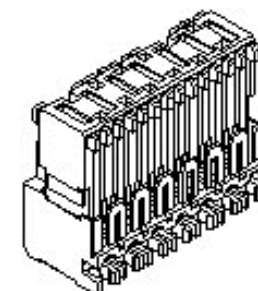


image - Reference only

Series

**EU RoHS**

**ELV and RoHS Compliant**  
**REACH SVHC**  
 Not Reviewed  
**Halogen-Free Status**  
**Not Reviewed**

**China RoHS**



**Need more information on product environmental compliance?**

Email [productcompliance@molex.com](mailto:productcompliance@molex.com)  
 For a multiple part number RoHS Certificate of Compliance, [click here](#)

Please visit the [Contact Us](#) section for any non-product compliance questions.

**Search Parts in this Series**

[91954Series](#)

**Mates With**

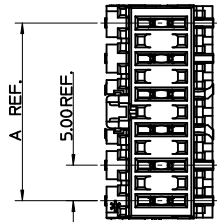
Appli-Mate RAST 5.0 Header [90858](#) , [90879](#)

Application Specification  
Packaging Specification  
Product Specification  
Sales Drawing

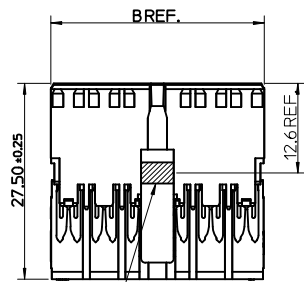
AS-99033-0004  
PK-90833-001  
PS-99020-0037  
SD-91954-001

This document was generated on 05/28/2010

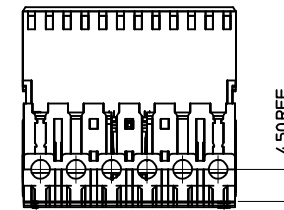
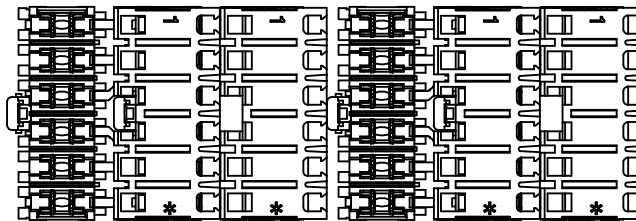
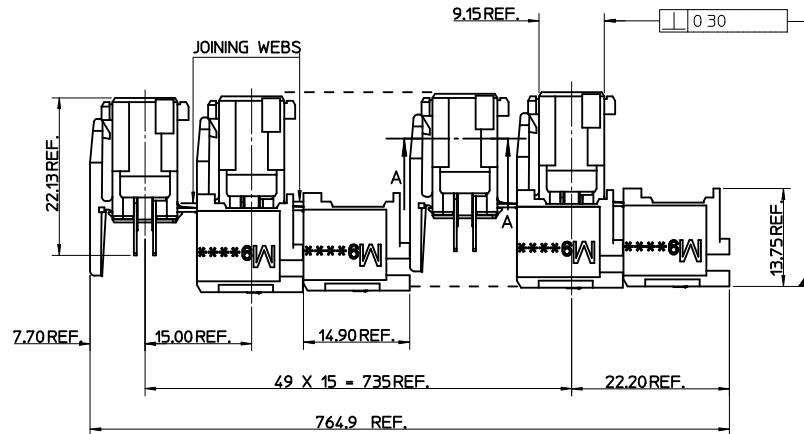
**PLEASE CHECK [WWW.MOLEX.COM](http://WWW.MOLEX.COM) FOR LATEST PART INFORMATION**



PARTIAL1  
Scale 2:1



COLOUR STRIPE  
SEE NOTE 4



NOTES:

1. MATERIALS

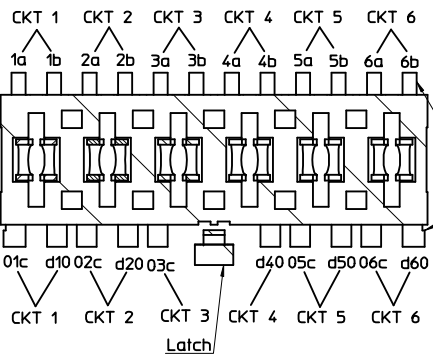
HOUSING: UNFILLED NYLON 6/6, RATED UL 94V-2  
FOR COLOURS, SEE CHARTS ON SHEETS 2-6.  
TERMINALS : 90834-0004 0.38mm IDT PHOSPHOR BRONZE.  
0.40/(0.016) THICK REF.  
PLATING: 5um/(200uin) MIN PURE Sn

2. PRODUCT CONFORMS TO SPECIFICATION PS-99020-0037

3. ACCEPTS CABLE, PER ES-99036-0008 OR ES-99036-0009  
AS PER THE APPLICATION SPECIFICATION AS-99033-0004

4. SEE SUBSEQUENT SHEETS FOR PART NUMBERS SHOWING  
THE VARIOUS CODING, KEYING, COLOUR STRIPE  
AND LATCHING OPTIONS

5. FOR PACKAGING SPECIFICATION SEE PK-90833-001



KEYING, CODING & LATCH IDENTIFICATION  
(6 CKT EXAMPLE SHOWN)

A-A  
Scale 4:1

| Ckt Size | A     | B     |
|----------|-------|-------|
| 2        | 5.00  | 9.90  |
| 3        | 10.00 | 14.90 |
| 4        | 15.00 | 19.90 |
| 5        | 20.00 | 24.90 |
| 6        | 25.00 | 29.90 |
| 7        | 30.00 | 34.90 |
| 8        | 35.00 | 39.90 |
| 9        | 40.00 | 44.90 |
| 10       | 45.00 | 49.90 |
| 11       | 50.00 | 54.90 |
| 12       | 55.00 | 59.90 |

|  |                               |  |  |                  |  |                        |                                  |
|--|-------------------------------|--|--|------------------|--|------------------------|----------------------------------|
| LINK MOD<br>EC NO: E2010-0161<br>DRAWN: BRUTTLE 2009/11/05<br>CHKD: T. TOURISH 2009/11/09<br>APPR: B. MAGUIRE 2009/11/09 | QUALITY SYMBOLS<br>▽=0<br>▽=0 | GENERAL TOLERANCES (UNLESS SPECIFIED)  | DIMENSION STYLE<br>MM ONLY                                 | SCALE<br>2:1     | DESIGN UNITS<br>METRIC   | THIRD ANGLE PROJECTION |                                  |
|  |                               | mm INCH  | DRAWN BY<br>B. RUTTLE                                      | DATE<br>19/09/06 | TITLE<br>5MM APPLI-MATE<br>F-INDIRECT CONN ASSY<br>0.38MM SQ IDT |                        |                                  |
|  |                               | 4 PLACES ± --- ± ---<br>3 PLACES ± 0.025 ± ---<br>2 PLACES ± 0.05 ± ---<br>1 PLACE ± 0.1 ± --- | CHECKED BY<br>T. TOURISH                                   | DATE<br>19/09/06 | APPROVED BY<br>B. MAGUIRE  | DATE<br>19/09/06       | MATERIAL NO.<br>SEE SHEET 2 TO 6 |
|  |                               | ANGULAR ± 1/2°   | DRAFT WHERE APPLICABLE<br>MUST REMAIN<br>WITHIN DIMENSIONS | SIZE<br>A2       | MOLEX INCORPORATED<br>SD-91954-001                               |                        | SHEET NO.<br>1 OF 6              |

| MOLEX PART NO | CIRCUIT SIZE | COLOUR  | POSITION KEYS | CODING KEYS | LATCH POSITION | CONFIGURATION | REF | COLOUR STRIPE |
|---------------|--------------|---------|---------------|-------------|----------------|---------------|-----|---------------|
| 91954-0001    | 2            | NATURAL | ALL           | ALL         | 1/2            |               | K00 | NONE          |
| 91954-0002    | 2            | NATURAL | 1b 2a         | ALL         | 1/2            |               | K01 | NONE          |
| 91954-0003    | 2            | NATURAL | 1a 2b         | 01c         | 1/2            |               | K02 | NONE          |
| 91954-0004    | 2            | NATURAL | 2a            | ALL         | 1/2            |               | K03 | NONE          |
| 91954-0005    | 2            | NATURAL | 1a 2b         | d20         | 1/2            |               | K05 | NONE          |
| 91954-0006    | 2            | NATURAL | 1b 2b         | 01c         | 1/2            |               | K09 | NONE          |
| 91954-0007    | 2            | NATURAL | 1a 2a         | 01c         | 1/2            |               | K10 | NONE          |
| 91954-0008    | 2            | NATURAL | 2b            | ALL         | 1/2            |               | K15 | NONE          |
| 91954-0009    | 2            | NATURAL | 1a 1b         | ALL         | 1/2            |               | K47 | NONE          |
| 91954-0010    | 2            | NATURAL | 2b            | NONE        | 1/2            |               | K11 | NONE          |
| 91954-0011    | 2            | NATURAL | 1a 1b         | 01c         | 1/2            |               | K04 | NONE          |
| 91954-0012    | 2            | NATURAL | 1a            | ALL         | 1/2            |               | K12 | NONE          |
| 91954-0013    | 2            | NATURAL | 1b 2a         | 01c         | 1/2            |               | K14 | NONE          |
| 91954-0014    | 2            | NATURAL | ALL           | 01c         | 1/2            |               | K33 | NONE          |
| 91954-0015    | 2            | NATURAL | 1a 1b         | 01c         | 1/2            |               | K04 | NONE          |
| 91954-0016    | 2            | NATURAL | 1b            | ALL         | 1/2            |               | K16 | NONE          |
| 91954-0017    | 2            | NATURAL | 1a 2b         | NONE        | 1/2            |               | K06 | NONE          |
| 91954-0018    | 2            | NATURAL | 2b            | d20         | 1/2            |               | K38 | NONE          |

| MOLEX PART NO | CIRCUIT SIZE | COLOUR  | POSITION KEYS | CODING KEYS | LATCH POSITION | CONFIGURATION | REF | COLOUR STRIPE |
|---------------|--------------|---------|---------------|-------------|----------------|---------------|-----|---------------|
| 91954-0019    | 2            | NATURAL | 1a 2a         | ALL         | 1/2            |               | K44 | NONE          |
| 91954-0020    | 2            | NATURAL | 1b 2a 2b      | d20         | 1/2            |               | K07 | NONE          |
| 91954-0021    | 2            | NATURAL | All           | d20         | 1/2            |               | K34 | NONE          |
| 91954-0022    | 2            | NATURAL | 1a 2b         | d20         | 1/2            |               | K05 | NONE          |
| 91954-0023    | 2            | BLACK   | 1a 2b         | d20         | 1/2            |               | K05 | NONE          |
| 91954-0024    | 2            | NATURAL | 2a            | 01c         | 1/2            |               | K** | NONE          |
| 91954-0025    | 2            | NATURAL | 1b, 2b        | 01c         | 1/2            |               | K09 | ORANGE        |
| 91954-0026    | 2            | NATURAL | 1a, 2b        | 01c         | 1/2            |               | K02 | BLACK         |
| 91954-0027    | 2            | NATURAL | 1b            | ALL         | 1/2            |               | K16 | BLUE          |
| 91954-0028    | 2            | NATURAL | 1a            | ALL         | 1/2            |               | K12 | LIGHT BLUE    |
| 91954-0029    | 2            | NATURAL | 1a, 2b        | d20         | 1/2            |               | K05 | GREEN         |

| <b>SEE SHEET 1</b><br>EC NO: E2010-0161<br>DRAWN BY: B. RUTTLE 2009/11/05<br>CHKD: T. TOURISH 2009/11/09<br>APPR: B. MAGUIRE 2009/11/09        | QUALITY SYMBOLS<br>   | GENERAL TOLERANCES (UNLESS SPECIFIED)<br><table border="1"> <tr><th></th><th>mm</th><th>INCH</th></tr> <tr><td>4 PLACES</td><td>± ---</td><td>± ---</td></tr> <tr><td>3 PLACES</td><td>± 0.025</td><td>± ---</td></tr> <tr><td>2 PLACES</td><td>± 0.05</td><td>± ---</td></tr> <tr><td>1 PLACE</td><td>± 0.1</td><td>± ---</td></tr> </table> |                                     | mm | INCH | 4 PLACES | ± --- | ± --- | 3 PLACES | ± 0.025 | ± --- | 2 PLACES | ± 0.05 | ± --- | 1 PLACE | ± 0.1 | ± --- | DIMENSION STYLE<br><b>MM ONLY</b> | SCALE<br><b>2:1</b> | DESIGN UNITS<br><b>METRIC</b> | THIRD ANGLE PROJECTION |
|--|---|---|-------------------------------------|----|------|----------|-------|-------|----------|---------|-------|----------|--------|-------|---------|-------|-------|-----------------------------------|---------------------|-------------------------------|------------------------|
|  |   | mm  | INCH                                |    |      |          |       |       |          |         |       |          |        |       |         |       |       |                                   |                     |                               |                        |
|  | 4 PLACES  | ± ---   | ± ---                               |    |      |          |       |       |          |         |       |          |        |       |         |       |       |                                   |                     |                               |                        |
|  | 3 PLACES  | ± 0.025   | ± ---                               |    |      |          |       |       |          |         |       |          |        |       |         |       |       |                                   |                     |                               |                        |
| 2 PLACES   | ± 0.05  | ± ---   |                                     |    |      |          |       |       |          |         |       |          |        |       |         |       |       |                                   |                     |                               |                        |
| 1 PLACE  | ± 0.1   | ± ---   |                                     |    |      |          |       |       |          |         |       |          |        |       |         |       |       |                                   |                     |                               |                        |
| DRAWN BY: B. RUTTLE<br>DATE: 19/09/06<br>CHECKED BY: T. TOURISH<br>DATE: 19/09/06<br>APPROVED BY: B. MAGUIRE<br>DATE: 19/09/06<br>MATERIAL NO. | TITLE<br><b>5MM APPLI-MATE F-INDIRECT CONN ASSY 0.38MM SQ IDT</b> | <b>MOLEX INCORPORATED</b>   | SHEET NO.<br><b>2 OF 6</b>          |    |      |          |       |       |          |         |       |          |        |       |         |       |       |                                   |                     |                               |                        |
| DRAFT WHERE APPLICABLE MUST REMAIN WITHIN DIMENSIONS   | <b>SEE CHART</b>  | THIS DRAWING CONTAINS INFORMATION THAT IS PROPRIETARY TO MOLEX INCORPORATED AND SHOULD NOT BE USED WITHOUT WRITTEN PERMISSION   | DOCUMENT NO.<br><b>SD-91954-001</b> |    |      |          |       |       |          |         |       |          |        |       |         |       |       |                                   |                     |                               |                        |
| REV C  |   |   |                                     |    |      |          |       |       |          |         |       |          |        |       |         |       |       |                                   |                     |                               |                        |

| MOLEX PART NO. | CIRCUIT SIZE | COLOUR  | POSITION KEYS | CODING KEYS | LATCH POSITION | CONFIGURATION | REF  | COLOUR STRIPE |
|----------------|--------------|---------|---------------|-------------|----------------|---------------|------|---------------|
| 91954-0101     | 3            | NATURAL | ALL           | ALL         | 1/2            |               | K00  | NONE          |
| 91954-0102     | 3            | NATURAL | ALL           | ALL         | 2/3            |               | K90  | NONE          |
| 91954-0103     | 3            | NATURAL | 1b            | 01c d20     | 1/2            |               | K01  | NONE          |
| 91954-0104     | 3            | NATURAL | 1a            | 03c         | 1/2            |               | K04  | NONE          |
| 91954-0105     | 3            | NATURAL | 1a 1b         | d30         | 1/2            |               | K05  | NONE          |
| 91954-0106     | 3            | NATURAL | 1b 2a 2b      | d30         | 1/2            |               | K33  | NONE          |
| 91954-0107     | 3            | NATURAL | ALL           | d10 d30     | 2/3            |               | K38  | NONE          |
| 91954-0108     | 3            | NATURAL | 1a 3a         | 01c         | 1/2            |               | K07  | NONE          |
| 91954-0109     | 3            | NATURAL | 1b 3a         | 01c         | 1/2            |               | K03  | NONE          |
| 91954-0110     | 3            | NATURAL | 2a            | 02c d30     | 2/3            |               | K57  | NONE          |
| 91954-0111     | 3            | NATURAL | 2b            | d20         | 1/2            |               | K08  | NONE          |
| 91954-0112     | 3            | NATURAL | 1b            | d20 03c     | 1/2            |               | K09  | NONE          |
| 91954-0113     | 3            | NATURAL | 1a 1b 2a 3a   | 01c 02c d30 | 2/3            |               | K12  | NONE          |
| 91954-0114     | 3            | NATURAL | 1a 2a         | d30         | 2/3            |               | K... | NONE          |
| 91954-0115     | 3            | NATURAL | 2a            | d10 d30     | 2/3            |               | K44  | NONE          |
| 91954-0116     | 3            | NATURAL | 3b            | 01c d30     | 1/2            |               | K37  | NONE          |
| 91954-0117     | 3            | NATURAL | 2b 3b         | d10 02c     | 2/3            |               | K02  | NONE          |
| 91954-0118     | 3            | NATURAL | 2a            | d10 02c d30 | 2/3            |               | K**  | NONE          |
| 91954-0119     | 3            | NATURAL | 1a            | 01c d20 03c | 1/2            |               | K**  | NONE          |
| 91954-0120     | 3            | NATURAL | 1b 2A         | 01c d20     | 1/2            |               | K**  | NONE          |
| 91954-0122     | 3            | NATURAL | 1a 1b 2b      | 01c         | 1/2            |               | K**  | NONE          |

| MOLEX PART NO. | CIRCUIT SIZE | COLOUR  | POSITION KEYS | CODING KEYS | LATCH POSITION | CONFIGURATION | REF | COLOUR STRIPE |
|----------------|--------------|---------|---------------|-------------|----------------|---------------|-----|---------------|
| 91954-0201     | 4            | NATURAL | ALL           | ALL         | 1/2 & 3/4      |               | K00 | NONE          |
| 91954-0202     | 4            | NATURAL | 1b            | 03c d40     | 1/2 & 3/4      |               | K01 | NONE          |
| 91954-0203     | 4            | NATURAL | ALL           | d20 03c     | 1/2 & 3/4      |               | K35 | NONE          |
| 91954-0204     | 4            | NATURAL | 1b            | d20 03c     | 1/2 & 3/4      |               | K38 | NONE          |
| 91954-0205     | 4            | NATURAL | 1a 4b         | d40         | 1/2 & 3/4      |               | K03 | NONE          |
| 91954-0206     | 4            | NATURAL | 1a 3a 3b      | 01c d20 d40 | 1/2 & 3/4      |               | K32 | NONE          |
| 91954-0207     | 4            | NATURAL | 1b 2a 3a 4b   | 01c d40     | 1/2 & 3/4      |               | K37 | NONE          |
| 91954-0208     | 4            | NATURAL | 1a 4b         | 01c         | 1/2 & 3/4      |               | K02 | NONE          |
| 91954-0209     | 4            | NATURAL | 3b            | d30         | 2/3            |               | K04 | NONE          |
| 91954-0210     | 4            | NATURAL | 1a 1b 3a 3b   | 01c 03c     | 1/2 & 3/4      |               | K93 | NONE          |
| 91954-0211     | 4            | NATURAL | 1a 2a 4a      | 01c 03c d40 | 1/2 & 3/4      |               | K43 | NONE          |
| 91954-0212     | 4            | NATURAL | 1a 1b 3a 3b   | ALL         | 1/2 & 3/4      |               | K** | NONE          |

|  |                                    |  |  |                                   |                  |   |                               |  |                            |
|--|------------------------------------|--|--|-----------------------------------|------------------|---|-------------------------------|--|----------------------------|
| <b>SEE SHEET 1</b><br>EC NO: E2010-0161<br>DRAWN: BRUTTLE 2009/11/05<br>CHKD: T. TOURISH 2009/11/09<br>APPR: B. MAGUIRE 2009/11/09 | QUALITY SYMBOLS<br><br>DESCRIPTION | GENERAL TOLERANCES (UNLESS SPECIFIED)  |  | DIMENSION STYLE<br><b>MM ONLY</b> |                  | SCALE<br><b>2:1</b>   | DESIGN UNITS<br><b>METRIC</b> | <input checked="" type="checkbox"/> THIRD ANGLE PROJECTION |                            |
|  |                                    | 4 PLACES ± --- ± ---<br>3 PLACES ± 0.025 ± ---<br>2 PLACES ± 0.05 ± ---<br>1 PLACE ± 0.1 ± --- | mm INCH<br>± --- ± ---<br>± --- ± ---<br>± --- ± --- | DRAWN BY<br>B. RUTTLE             | DATE<br>19/09/06 | TITLE<br><b>5MM APPLI-MATE F-INDIRECT CONN ASSY 0.38MM SQ IDT</b> |                               |  |                            |
|  |                                    | ANGULAR ± 1/2°   |  | CHECKED BY<br>T. TOURISH          | DATE<br>19/09/06 | APPROVED BY<br>B. MAGUIRE   |                               |  |                            |
|  |                                    | DRAFT WHERE APPLICABLE MUST REMAIN WITHIN DIMENSIONS   |  | MATERIAL NO.<br><b>SEE CHART</b>  | DATE<br>19/09/06 | MOLEX INCORPORATED  |                               | DOCUMENT NO.<br><b>SD-91954-001</b>                        | SHEET NO.<br><b>3 OF 6</b> |

| MOLEX PART NO. | CIRCUIT SIZE | COLOUR  | POSITION KEYS     | CODING KEYS        | LATCH POSITION | CONFIGURATION | REF | COLOUR STRIPE |
|----------------|--------------|---------|-------------------|--------------------|----------------|---------------|-----|---------------|
| 91954-0301     | 5            | NATURAL | 1a 3a             | 01c d30            | 1/2 & 4/5      |               | K30 | NONE          |
| 91954-0302     | 5            | NATURAL | 1a 5b             | 01c d20<br>03c d50 | 1/2 & 3/4      |               | K31 | NONE          |
| 91954-0303     | 5            | NATURAL | 2a                | 01c d50            | 2/3 & 4/5      |               | K43 | NONE          |
| 91954-0304     | 5            | NATURAL | ALL               | 01c d50            | 2/3 & 4/5      |               | K42 | NONE          |
| 91954-0305     | 5            | NATURAL | ALL               | ALL                | 2/3 & 4/5      |               | K92 | NONE          |
| 91954-0306     | 5            | NATURAL | ALL               | ALL                | 1/2 & 3/4      |               | K00 | NONE          |
| 91954-0307     | 5            | NATURAL | ALL               | ALL                | 1/2 & 4/5      |               | K90 | NONE          |
| 91954-0308     | 5            | NATURAL | 2a 4b             | 01c d20 d40        | 1/2 & 3/4      |               | K44 | NONE          |
| 91954-0309     | 5            | NATURAL | 1a 3a             | 01c d30 d50        | 1/2 & 4/5      |               | K49 | NONE          |
| 91954-0310     | 5            | NATURAL | NONE              | 01c d40            | 1/2 & 3/4      |               | K** | NONE          |
| 91954-0311     | 5            | NATURAL | 1a 5b             | 01c d20<br>03c d50 | 1/2 & 3/4      |               | K31 | NONE          |
| 91954-0312     | 5            | NATURAL | 2a                | 01c d50            | 2/3 4/5        |               | K43 | NONE          |
| 91954-0313     | 5            | NATURAL | 1a 2b 3b<br>4b 5b | d10 02c<br>04c d50 | 4/5            |               | K** | NONE          |
| 91954-0314     | 5            | NATURAL | 5b                | 01c d20<br>03c d50 | 4/5            |               | K** | NONE          |

|   |   |  |   |                     |              |  |
|---|---|--|---|---------------------|--------------|--|
| SEE SHEET 1<br>EC NO: E2010-0161<br>DRAWN: BRUTTLE 2009/11/05<br>CHECKED: TOURISH 2009/11/09<br>APPR: BMAGUIRE 2009/11/09 | QUALITY SYMBOLS   | GENERAL TOLERANCES (UNLESS SPECIFIED)  | DIMENSION STYLE   | SCALE               | DESIGN UNITS | THIRD ANGLE PROJECTION   |
|   | ▼=0<br>▽=0  | mm    INCH<br>4 PLACES ± --- ± ---<br>3 PLACES ± 0.025 ± ---<br>2 PLACES ± 0.05 ± ---<br>1 PLACE ± 0.1 ± ---<br>ANGULAR ± 1/2° | MM ONLY<br>DRAWN BY    DATE<br>B. RUTTLE    19/09/06<br>CHECKED BY    DATE<br>T. TOURISH    19/09/06<br>APPROVED BY    DATE<br>B. MAGUIRE    19/09/06 | 2:1                 | METRIC       | TITLE<br>5MM APPLI-MATE<br>F-INDIRECT CONN ASSY<br>0.38MM SQ IDT |
|   | DRAFT WHERE APPLICABLE<br>MUST REMAIN<br>WITHIN DIMENSIONS  | MATERIAL NO.<br>SEE CHART  | MOLEX INCORPORATED<br>DOCUMENT NO.<br>SD-91954-001  | SHEET NO.<br>4 OF 6 |              |  |
|   | THIS DRAWING CONTAINS INFORMATION THAT IS PROPRIETARY TO MOLEX INCORPORATED AND SHOULD NOT BE USED WITHOUT WRITTEN PERMISSION |  |   |                     |              |  |

| MOLEX PART NO. | CIRCUIT SIZE | COLOUR  | POSITION KEYS        | CODING KEYS | LATCH POSITION | CONFIGURATION | REF  | COLOUR STRIPE |
|----------------|--------------|---------|----------------------|-------------|----------------|---------------|------|---------------|
| 91954-0401     | 6            | NATURAL | ALL                  | ALL         | 2/3 & 4/5      |               | K90  | NONE          |
| 91954-0402     | 6            | NATURAL | 1b                   | 03c d60     | 1/2 & 5/6      |               | K91  | NONE          |
| 91954-0403     | 6            | NATURAL | ALL                  | ALL         | 1/2 & 5/6      |               | K53  | NONE          |
| 91954-0404     | 6            | NATURAL | 5b                   | 01c d40     | 1/2 & 5/6      |               | K61  | NONE          |
| 91954-0405     | 6            | NATURAL | 1b 6a                | d30         | 1/2 & 5/6      |               | K... | NONE          |
| 91954-0406     | 6            | NATURAL | 2b 6b                | d40         | 1/2 & 5/6      |               | K04  | NONE          |
| 91954-0407     | 6            | NATURAL | 5b                   | 02c 06c     | 3/4            |               | K**  | NONE          |
| 91954-0408     | 6            | NATURAL | 1b 3a 4b<br>5a 5b 6b | 01c d60     | 2/3            |               | K**  | NONE          |
| 91954-0409     | 6            | NATURAL | 1b 2a 5b 6b          | d50 06c     | 3/4            |               | K**  | NONE          |

| MOLEX PART NO. | CIRCUIT SIZE | COLOUR  | POSITION KEYS           | CODING KEYS         | LATCH POSITION | CONFIGURATION | REF  | COLOUR STRIPE |
|----------------|--------------|---------|-------------------------|---------------------|----------------|---------------|------|---------------|
| 91954-0601     | 8            | NATURAL | ALL                     | ALL                 | 3/4 & 5/6      |               | K00  | NONE          |
| 91954-0602     | 8            | NATURAL | 1b 3a 3b 5a<br>5b 7a 8a | 01c d20 03c 05c 07c | 3/4 & 5/6      |               | K36  | NONE          |
| 91954-0603     | 8            | NATURAL | ALL                     | ALL                 | 1/2 & 7/8      |               | K90  | NONE          |
| 91954-0604     | 8            | NATURAL | ALL                     | 03c d60             | 1/2 & 7/8      |               | K39  | NONE          |
| 91954-0605     | 8            | NATURAL | 2b 8a                   | 03c d60             | 1/2 & 7/8      |               | K... | NONE          |
| 91954-0606     | 8            | NATURAL | 8b                      | 02c d30 07c         | 2/3 & 7/8      |               | K... | NONE          |
| 91954-0607     | 8            | NATURAL | 2b 8a                   | 03c d60             | 1/2            |               | K... | NONE          |
| 91954-0608     | 8            | NATURAL | 8b                      | 02c d30             | 2/3            |               | K49  | NONE          |

| MOLEX PART NO. | CIRCUIT SIZE | COLOUR  | POSITION KEYS | CODING KEYS | LATCH POSITION | CONFIGURATION | REF | COLOUR STRIPE |
|----------------|--------------|---------|---------------|-------------|----------------|---------------|-----|---------------|
| 91954-0501     | 7            | NATURAL | 2b            | d20 07c     | 1/2 & 5/6      |               | K37 | NONE          |
| 91954-0502     | 7            | NATURAL | ALL           | ALL         | 1/2 & 5/6      |               | K00 | NONE          |
| 91954-0503     | 7            | NATURAL | NONE          | d20         | 1/2 & 5/6      |               | K44 | NONE          |
| 91954-0504     | 7            | NATURAL | ALL           | ALL         | 2/3 & 6/7      |               | K90 | NONE          |
| 91954-0505     | 7            | NATURAL | ALL           | 02c d50     | 2/3 & 6/7      |               | K49 | NONE          |
| 91954-0506     | 7            | NATURAL | NONE          | d20 03c 07c | 5/6            |               | K** | NONE          |
| 91954-0507     | 7            | NATURAL | 1a 6b         | 03c 07c     | 4/5            |               | K** | NONE          |
| 91954-0508     | 7            | NATURAL | NONE          | 04c 05c     | 1/2 5/6        |               | K** | NONE          |
| 91954-0509     | 7            | NATURAL | NONE          | 04c 07c     | 1/2 5/6        |               | K** | NONE          |

|  |                     |                                       |         |  |                  |   |                               |                            |  |
|--|---------------------|---------------------------------------|---------|--|------------------|---|-------------------------------|----------------------------|--|
| <b>SEE SHEET 1</b><br>EC NO: E2010-0161<br>DRAWN: BRUTTLE 2009/11/05<br>CHKD: T. TOURISH 2009/11/09<br>APPR: B. MAGUIRE 2009/11/09 | QUALITY SYMBOLS<br> | GENERAL TOLERANCES (UNLESS SPECIFIED) |         | DIMENSION STYLE<br><b>MM ONLY</b>  |                  | SCALE<br><b>2:1</b>   | DESIGN UNITS<br><b>METRIC</b> | THIRD ANGLE PROJECTION     |  |
|  |                     | 4 PLACES ± --- ± ---                  | mm INCH | DRAWN BY<br>B. RUTTLE  | DATE<br>19/09/06 | TITLE<br><b>5MM APPLI-MATE<br/>F-INDIRECT CONN ASSY<br/>0.38MM SQ IDT</b> |                               |                            |  |
|  |                     | 3 PLACES ± 0.025 ± ---                |         | CHECKED BY<br>T. TOURISH   | DATE<br>19/09/06 | <b>MOLEX INCORPORATED</b>   |                               |                            |  |
|  |                     | 2 PLACES ± 0.05 ± ---                 |         | APPROVED BY<br>B. MAGUIRE  | DATE<br>19/09/06 | MATERIAL NO. <b>SD-91954-001</b>  |                               |                            |  |
|  |                     | 1 PLACE ± 0.1 ± ---                   |         | ANGULAR ± 1/2°   |                  | DOCUMENT NO.  |                               | SHEET NO.<br><b>5 OF 6</b> |  |
| DRAFT WHERE APPLICABLE<br>MUST REMAIN<br>WITHIN DIMENSIONS   |                     | <b>SEE CHART</b>                      |         | THIS DRAWING CONTAINS INFORMATION THAT IS PROPRIETARY TO MOLEX<br>INCORPORATED AND SHOULD NOT BE USED WITHOUT WRITTEN PERMISSION |                  |   |                               |                            |  |

| MOLEX PART NO. | CIRCUIT SIZE | COLOUR  | POSITION KEYS           | CODING KEYS            | LATCH POSITION         | CONFIGURATION | REF | COLOUR STRIPE |
|----------------|--------------|---------|-------------------------|------------------------|------------------------|---------------|-----|---------------|
| 91954-0701     | 9            | NATURAL | ALL                     | ALL                    | 3/4 & 6/7              |               | K00 | NONE          |
| 91954-0702     | 9            | NATURAL | 1b 2a 3a<br>5a 6a 7b 8b | 01c 03c d70<br>08c d90 | 3/4 & 6/7              |               | K34 | NONE          |
| 91954-0703     | 9            | NATURAL | 2b 5a                   | d80                    | 2/3 & 7/8              |               | K03 | NONE          |
| 91954-0704     | 9            | NATURAL | 1b                      | 03c                    | 5/6                    |               | K0A | NONE          |
| 91954-0705     | 9            | NATURAL | 2b 3b 4a<br>5a 6b       | d10 02c 04c<br>08c d90 | 2/3 & 4/5<br>6/7 & 8/9 |               | K-- | NONE          |
| 91954-0706     | 9            | NATURAL | 1b 2a 4b<br>5a 8b 9b    | 01c d20<br>d70 08c     | 1/2 & 4/5<br>6/7 & 8/9 |               | K-- | NONE          |

| MOLEX PART NO. | CIRCUIT SIZE | COLOUR  | POSITION KEYS                            | CODING KEYS            | LATCH POSITION | CONFIGURATION | REF | COLOUR STRIPE |
|----------------|--------------|---------|--|------------------------|----------------|---------------|-----|---------------|
| 91954-0901     | 11           | NATURAL | ALL                                      | ALL                    | 3/4 & 8/9      |               | K00 | NONE          |
| 91954-0902     | 11           | NATURAL | 1a 2b 3b 4a<br>4b 5a 7a 8a<br>9a 10a 11a | 01c d40 05c<br>08c 10c | 3/4 & 8/9      |               | K33 | NONE          |

| MOLEX PART NO. | CIRCUIT SIZE | COLOUR  | POSITION KEYS               | CODING KEYS                     | LATCH POSITION | CONFIGURATION | REF | COLOUR STRIPE |
|----------------|--------------|---------|-----------------------------|---------------------------------|----------------|---------------|-----|---------------|
| 91954-1001     | 12           | NATURAL | ALL                         | ALL                             | 3/4 & 9/10     |               | K00 | NONE          |
| 91954-1002     | 12           | NATURAL | 1a 2a 4a 4b<br>5a 6b 8a 11a | 01c 03c 05c 07c<br>d80 d100 11c | 3/4 & 9/10     |               | K41 | NONE          |

| MOLEX PART NO. | CIRCUIT SIZE | COLOUR  | POSITION KEYS | CODING KEYS             | LATCH POSITION | CONFIGURATION | REF | COLOUR STRIPE |
|----------------|--------------|---------|---------------|-------------------------|----------------|---------------|-----|---------------|
| 91954-0801     | 10           | NATURAL | ALL           | ALL                     | 3/4 & 7/8      |               | K00 | NONE          |
| 91954-0802     | 10           | NATURAL | 1a 3b 7b 8a   | 01c d20 d40<br>05c d100 | 3/4 & 7/8      |               | K34 | NONE          |
| 91954-0803     | 10           | NATURAL | ALL           | ALL                     | 4/5 & 7/8      |               | K98 | NONE          |
| 91954-0804     | 10           | NATURAL | ALL           | ALL                     | 4/5 & 6/7      |               | K99 | NONE          |
| 91954-0805     | 10           | NATURAL | 1a 10b        | 07c                     | 4/5 & 7/8      |               | K39 | NONE          |
| 91954-0806     | 10           | NATURAL | 1b 9a         | 06c                     | 4/5 & 6/7      |               | K40 | NONE          |
| 91954-0807     | 10           | NATURAL | 1b            | 03c                     | 5/6            |               | K-- | NONE          |
| 91954-0808     | 10           | NATURAL | 4b 6b 8a 8b   | d100                    | 5/6            |               | K** | NONE          |
| 91954-0809     | 10           | NATURAL | 4b 6b 8a 8b   | 06c d100                | NONE           |               | K** | NONE          |

|  |                                    |  |            |                                   |                  |   |                               |                                     |                            |
|--|------------------------------------|--|------------|-----------------------------------|------------------|---|-------------------------------|-------------------------------------|----------------------------|
| <b>SEE SHEET 1</b><br>EC NO: E2010-0161<br>DRAWN: BRUTTLE 2009/11/05<br>CHKD: T. TOURISH 2009/11/09<br>APPR: B. MAGUIRE 2009/11/09 | QUALITY SYMBOLS<br><br>DESCRIPTION | GENERAL TOLERANCES (UNLESS SPECIFIED)  |            | DIMENSION STYLE<br><b>MM ONLY</b> |                  | SCALE<br><b>2:1</b>   | DESIGN UNITS<br><b>METRIC</b> | THIRD ANGLE PROJECTION              |                            |
|  |                                    | 4 PLACES ± --- ± ---<br>3 PLACES ± 0.025 ± ---<br>2 PLACES ± 0.05 ± ---<br>1 PLACE ± 0.1 ± --- | mm    INCH | DRAWN BY<br>B. RUTTLE             | DATE<br>19/09/06 | TITLE<br><b>5MM APPLI-MATE F-INDIRECT CONN ASSY 0.38MM SQ IDT</b> |                               |                                     |                            |
|  |                                    | ANGULAR ± 1/2°   |            | CHECKED BY<br>T. TOURISH          | DATE<br>19/09/06 | APPROVED BY<br>B. MAGUIRE   |                               |                                     |                            |
|  |                                    | DRAFT WHERE APPLICABLE MUST REMAIN WITHIN DIMENSIONS   |            | MATERIAL NO.<br><b>SEE CHART</b>  | DATE<br>19/09/06 | <b>MOLEX INCORPORATED</b>   |                               | DOCUMENT NO.<br><b>SD-91954-001</b> | SHEET NO.<br><b>6 OF 6</b> |