

For Color Photo Printers (300DPI ; dots / inch)

SF3004-EC10A

The SF3004-EC10 Series are suitable for small photo printers which can make direct print out from digital still cameras and mobile phones. ROHM's technology based on "Step-free" structure enables battery drive, and high resolution printing quality.

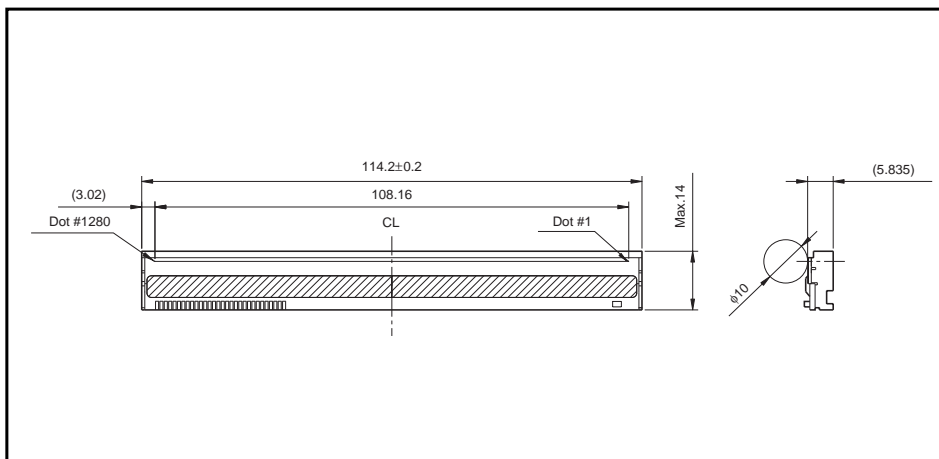
●Applications

Home printers
Mobile Photo printers
Photo kiosk terminals
"Print club" (color photo printer) terminals

●Features

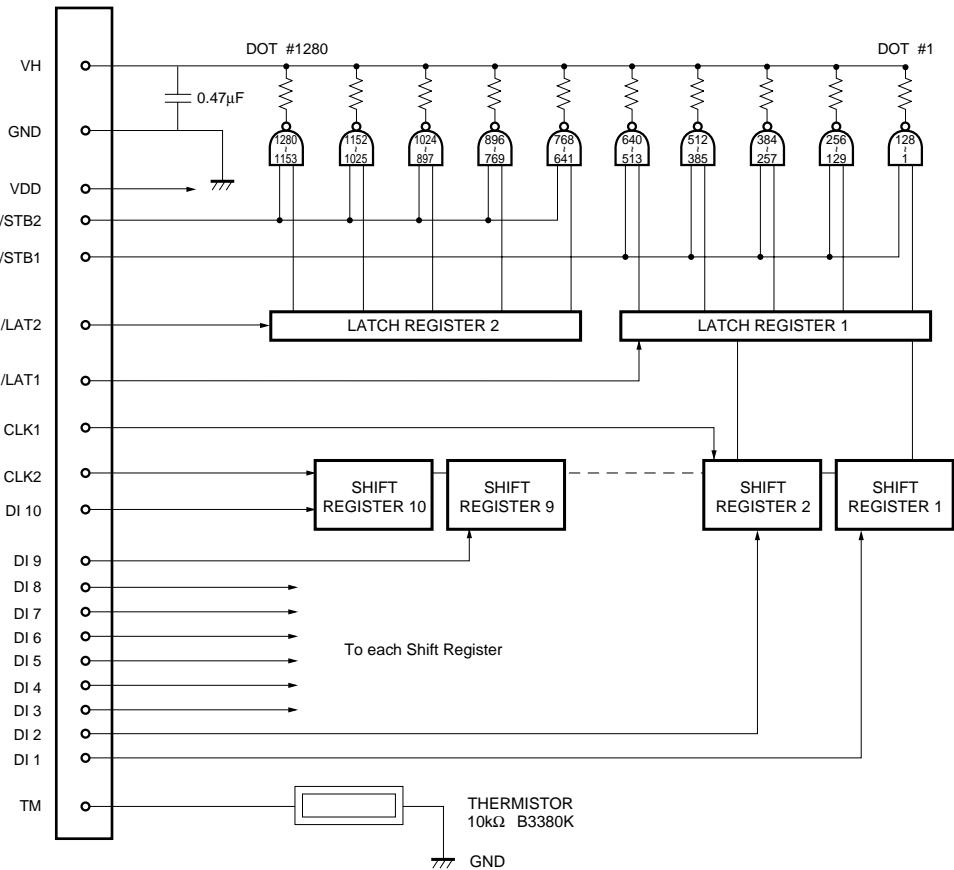
- 1) SF3004-EC10 is drivable with batteries, thanks to its low energy consumption.
- 2) SF3004-EC10 enables full color printing by keeping the adjacent resistance variation less than $\pm 1.5\%$.
- 3) Employing of the driver IC capable of high-speed data transfer at 3.3 circuit supply voltage makes the gradation printing control easier.
- 4) High dot reproducibility with step-free structure.

●External dimensions (Unit : mm)



Printheads

●Equivalent circuit



DI No.	DOT No.	DI No.	DOT No.
10	1280 to 1153	5	640 to 513
9	1152 to 1025	4	512 to 385
8	1024 to 897	3	384 to 257
7	896 to 769	2	256 to 129
6	768 to 641	1	128 to 1

/STB No.	DOT No.
2	1280 to 641
1	640 to 1

Fig.1

Printheads

●Pin assignments

No.	Circuit	No.	Circuit	No.	Circuit
1	GND	2	V _H	3	V _H
4	V _H	5	GND	6	CLK 2
7	GND	8	/LAT 2	9	/STB 2
10	TM	11	DI 10	12	DI 9
13	DI 8	14	DI 7	15	DI 6
16	DI 5	17	DI 4	18	DI 3
19	DI 2	20	DI 1	21	V _{BD}
22	/STB 1	23	/LAT 1	24	GND
25	CLK 1	26	GND	27	V _H
28	V _H	29	V _H	30	GND

●Timing chart

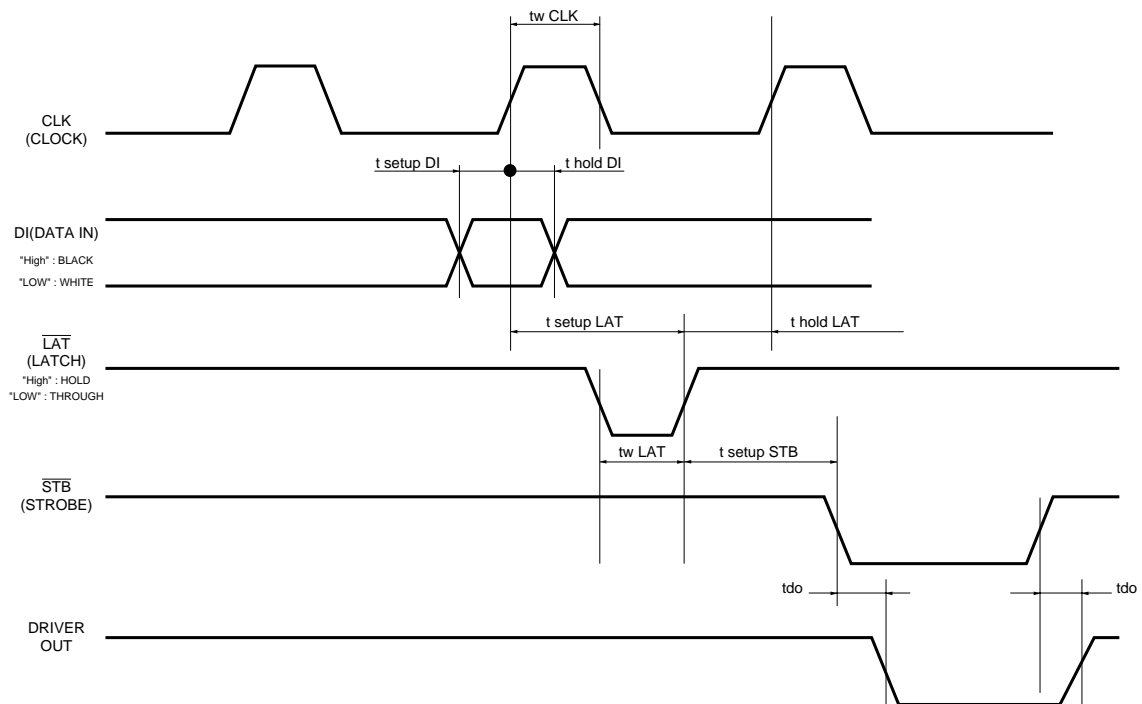


Fig.2

Printheads

●Characteristics

Parameter	Symbol	Typical	Unit
Effective printing width	–	108.16	mm
Dot pitch	–	0.0845	mm
Total dot number	–	1280	dots
Average resistance value	Rave	2800	Ω
Applied voltage	V _H	13.3	V
Applied power	P _o	0.061	W/dot
Print cycle	SLT	4.5	ms/line
Pulse width	T _{ON}	2.25	ms
Maximum number of dots energized simultaneously	–	640	dots
Maximum clock frequency	–	16	MHz
Maximum rolls diameter	–	10	mm
Running life / pulse life	–	2/5×10 ⁷	km/pulses
Operating temperature	–	5 to 45	°C

Notes

- No technical content pages of this document may be reproduced in any form or transmitted by any means without prior permission of ROHM CO.,LTD.
- The contents described herein are subject to change without notice. The specifications for the product described in this document are for reference only. Upon actual use, therefore, please request that specifications to be separately delivered.
- Application circuit diagrams and circuit constants contained herein are shown as examples of standard use and operation. Please pay careful attention to the peripheral conditions when designing circuits and deciding upon circuit constants in the set.
- Any data, including, but not limited to application circuit diagrams information, described herein are intended only as illustrations of such devices and not as the specifications for such devices. ROHM CO.,LTD. disclaims any warranty that any use of such devices shall be free from infringement of any third party's intellectual property rights or other proprietary rights, and further, assumes no liability of whatsoever nature in the event of any such infringement, or arising from or connected with or related to the use of such devices.
- Upon the sale of any such devices, other than for buyer's right to use such devices itself, resell or otherwise dispose of the same, no express or implied right or license to practice or commercially exploit any intellectual property rights or other proprietary rights owned or controlled by
- ROHM CO., LTD. is granted to any such buyer.
- Products listed in this document are no antiradiation design.

The products listed in this document are designed to be used with ordinary electronic equipment or devices (such as audio visual equipment, office-automation equipment, communications devices, electrical appliances and electronic toys).

Should you intend to use these products with equipment or devices which require an extremely high level of reliability and the malfunction of which would directly endanger human life (such as medical instruments, transportation equipment, aerospace machinery, nuclear-reactor controllers, fuel controllers and other safety devices), please be sure to consult with our sales representative in advance.

It is our top priority to supply products with the utmost quality and reliability. However, there is always a chance of failure due to unexpected factors. Therefore, please take into account the derating characteristics and allow for sufficient safety features, such as extra margin, anti-flammability, and fail-safe measures when designing in order to prevent possible accidents that may result in bodily harm or fire caused by component failure. ROHM cannot be held responsible for any damages arising from the use of the products under conditions out of the range of the specifications or due to non-compliance with the NOTES specified in this catalog.

Thank you for your accessing to ROHM product informations.

More detail product informations and catalogs are available, please contact your nearest sales office.

ROHM Customer Support System

THE AMERICAS / EUROPE / ASIA / JAPAN

www.rohm.com

Contact us : webmaster@rohm.co.jp