

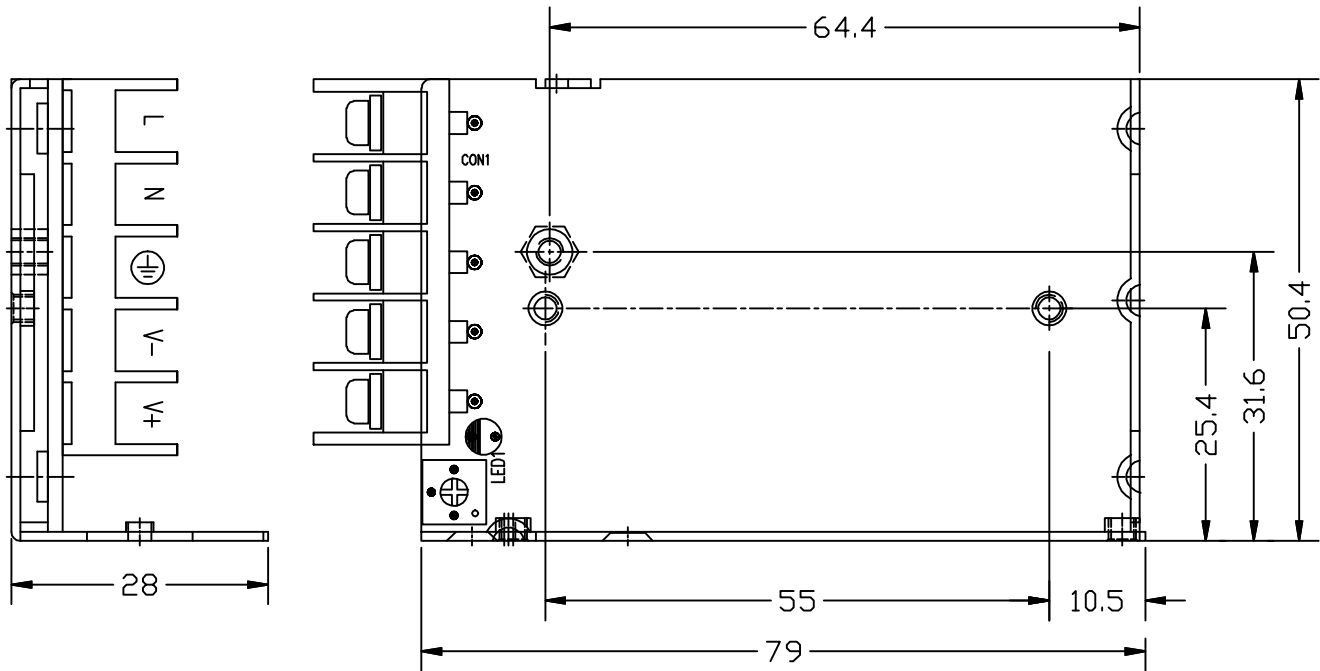
**Features:**

- Universal AC input/ Full range
- Wide Operating Ambient Temperature (-20°C~70°C)
- High Efficiency, and High Reliability
- Output Protections: OLP/OVP/SCP
- All using 105°C long life electrolytic capacitors.
- 100% full load burn-in test
- Conformal Coating

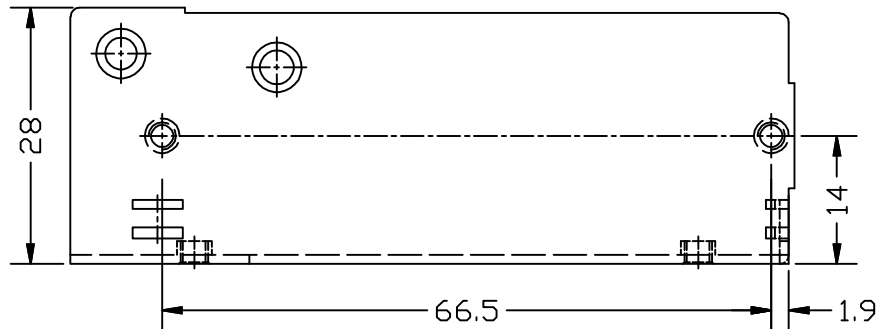


Model	QPD-25-3.3	QPD-25-5	QPD-25-12	QPD-25-15	QPD-25-24	
Output Characteristics						
DC Output	3.3V	5V	12V	15V	24V	
Rated Current	6A	5A	2.1A	1.7A	1.1A	
Current Range	0~6A	0~5A	0~2.1A	0~1.7A	0~1.1A	
Ripple and Noise	0~70°C	80mV	80mV	120mV	120mV	
	-20~0°C	80mV	80mV	120mV	240mV	
Voltage ADJ. Range	±10% of rated output voltage					
Voltage Accuracy	±2.0%	±2.0%	±1.0%	±1.0%	±1.0%	
Line Regulation	±0.5%	±0.5%	±0.5%	±0.5%	±0.5%	
Load Regulation	±2.0%	±2.0%	±1.0%	±1.0%	±1.0%	
Set-up Time	<2.0s (115VAC input, full load); <1.0s (230VAC input, full load)					
Hold-up Time	>14ms (115VAC input, full load); >30ms (230VAC input, full load)					
Temperature Coefficient	±0.03%/°C					
Overshoot and Undershoot	<5.0%					
Input Characteristics						
Voltage Range	88VAC~264VAC					
Frequency Range	47Hz-63Hz					
Efficiency (Typical)	115VAC Input	70%	75%	80%	81%	83%
	230VAC Input	71%	77%	82%	83%	84%
AC Current (max)	0.7A	0.7A	0.35A	0.7A	0.7A	
Inrush Current (Typical)	20A@115VAC Cold start 40A@230VAC Cold start					
Leakage Current	Input-Output: <0.25mA Input-PG: <0.75mA					
Protection						
Over Load (OLP)	105%~150% of rated output current, hiccup mode, auto recovery					
Over Voltage (OVP)	105%~150% of rated output voltage, constant voltage					
Short Circuit (SCP)	Long-term mode, auto recovery					
Environmental Characteristics						
Operating Amb. Temp. & Hum	-20°C~70°C; 20%~90% RH Non-Condensing					
Storage Temp. & Hum	-40°C~85°C; 10%-95% RH Non-Condensing					
Safety Standards	UL60950-1; EN60950-1: 2006					
Withstand Voltage	Primary-Secondary: 3.0KVAC;≤10mA. Primary-PG: 1.5KVAC;≤10mA. Secondary-PG: 0.5KVDC;≤10mA					
Isolation Resistance	≥100M ohms					
EMI Conduction & Radiation	Compliance to EN55022(CISPR22) Class B					
Harmonic Current	Compliance to EN61000-3-2,-3					
EMS Immunity	Compliance to EN61000-4-2, 3, 4, 5, 6, 8, 11; ENV50204, light industry level, criteria A					
General Characteristics						
MTBF (MIL-HDBK-217F)	More than 100,000Hrs (25°C, Full load)					
Dimension (LxWxH)	79x51x28mm					
Packing	48PCS/CTN. G.W: 10.4kgs					
Cooling Method	Cooling by free air convection					

MECHANICAL SPECIFICATIONS



Pin No.	Assignment
1	AC-L
2	AC-N
3	F.G
4	DC output -V
5	DC output +V



UNIT: mm