

SMD POWER INDUCTOR



PX11608 SERIES

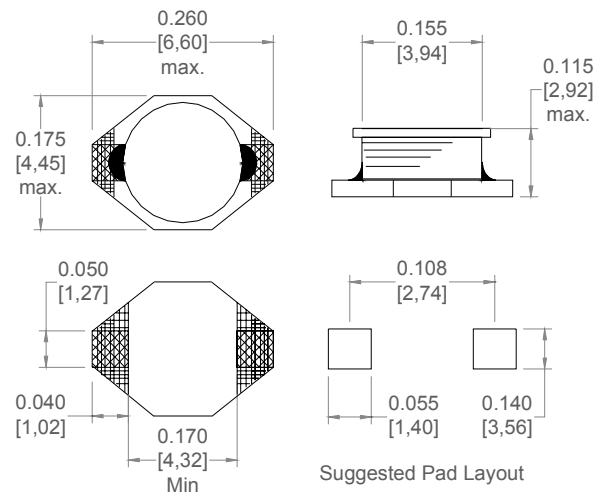


- RoHS Compliant Product
- Inductance test @ 100KHz, $0.1V_{RMS}$ @ 0ADC
- Add -M for inductance tolerance $\pm 20\%$ after the part no.
- I_{DC} : 10% inductance drop typical from its initial value at I_{DC}
- I_{RMS} : $\Delta 40^{\circ}C$ temperature rise max at I_{RMS}
- Operating Temperature: $-40^{\circ}C$ to $+85^{\circ}C$
- Marking: Value

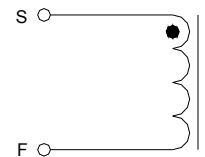
ELECTRICAL SPECIFICATION @ 25°C

Part number	L $\pm 20\%$ (μH)	I_{DC} (A)	I_{RMS} (A)	R_{DC} MAX (Ω)
PX11608-				
102	1.0	2.9	2.9	0.05
152	1.5	2.6	2.8	0.06
222	2.2	2.3	2.4	0.07
272	2.7	2.1	2.1	0.08
332	3.3	2.0	2.0	0.08
472	4.7	1.5	1.5	0.09
682	6.8	1.2	1.4	0.13
822	8.2	1.15	1.3	0.16
103	10	1.10	1.2	0.16
153	15	0.90	1.1	0.23
223	22	0.70	0.80	0.37
333	33	0.58	0.60	0.51
473	47	0.50	0.50	0.64
683	68	0.40	0.40	0.86
104	100	0.31	0.30	1.27
154	150	0.27	0.25	2.00
224	220	0.22	0.20	3.11
334	330	0.18	0.16	3.80
474	470	0.16	0.15	5.06
684	680	0.14	0.12	9.20
105	1000	0.10	0.07	13.8

Mechanical



Schematic



Dimensions

Unless otherwise specified, all tolerances are:
 inch: .XX : ± 0.015 .XXX : ± 0.010
 mm: X,X : $\pm 0,38$ X,XX : $\pm 0,25$

Product performance is limited to specified parameter. Data is subject to change without prior notice.

PX11608-XX
0602JW

2463 208th, Ste. 205
Torrance, CA 90501

Phone: (310)533-1455
Fax: (310)533-1853

<http://www.mpsind.com>
Email: sales@mpsind.com