



Website:<http://biz.LGservice.com>
E-mail:<http://www.LGService.com/techsup.html>

COLOR MONITOR

SERVICE MANUAL

CHASSIS NO. : CL-46

MODEL: FLATRON L2320A (L2320AL-ALA)**

() **Same model for SVC

CAUTION

BEFORE SERVICING THE UNIT,
READ THE **SAFETY PRECAUTIONS** IN THIS MANUAL.



CONTENTS

SPECIFICATIONS	2	ADJUSTMENT	11
PRECAUTIONS	4	TROUBLESHOOTING GUIDE	12
TIMING CHART	5	PRINTED CIRCUIT BOARD.....	18
OPERATING INSTRUCTIONS	6	EXPLODED VIEW.....	23
WIRING DIAGRAM	8	REPLACEMENT PARTS LIST	27
BLOCK DIAGRAM	9	PIN CONFIGURATION.....	40
DESCRIPTION OF BLOCK DIAGRAM.....	10	SCHEMATIC DIAGRAM.....	45

SPECIFICATIONS

1. LCD CHARACTERISTICS

Type : TFT Color LCD Module
 Active Display Area : 23inchs (58.4cm)diagonal
 Pixel Pitch : 0.258(H) x 0.258(V)
 Electrical Interface : TMDS
 Color Depth : 8-bit, 16,777,216 colors
 Size : 550.0(W)x360.5(H)x25.0(D)
 Surface Treatment : Anti-Glare, Hard Coating(3H)
 Operating Mode : Normally Black
 Backlight Unit : Six-CCFL (Cold Cathode Fluorescent Lamp)

2. OPTICAL CHARACTERISTICS

2-1. Viewing Angle by Contrast Ratio ≥ 10
 Left : -85°(Typ) Right : +85°(Typ)
 Top : +85°(Typ) Bottom : -85°(Typ)
 2-2. Luminance : 150(min), 200(Typ)
 2-3. Contrast Ratio : 300(min), 400(Typ)

3. SIGNAL (Refer to the Timing Chart)

3-1. Video Input
 1)Signal Input : 15pin D-sub Connector/
 DVI-D Connector, DVI-I Connector,
 Composite video, S video, HDTV, DVD
 2)Input Form : RGB Analog(0.7Vp-p/75 Ω), Digital,
 S-VIDEO, CVBS, YPbPr(Y, Cb, Cc)
 3-2. Sync Input
 Horizontal : 30 ~ 96kHz(DVI-I:~80kHz, DVI-D: ~71kHz)
 Vertical : 56 ~ 85Hz
 Input Form : Separate TTL,
 Positive/Negative Composite TTL,
 Positive/Negative SOG(Sync On Green)
 DIGITAL

4. Max.Resolution

Analog -1920 x 1200@60Hz(1600 x 1200@75Hz)
 Digital(DVI-I) -1600 x 1200@60Hz
 Digital(DVI-D) -1280 x 1024@60Hz

5. POWER SUPPLY

5-1. Power Adaptor
 DDC 2B Display
 Input : DC 18.5V 4.5A, DC5V 0.5A
 Media station
 Input : AC 100~240V, 50/60Hz , 1.5A
 Output : DC 18.5V 5.0A, DC 5V 0.8A

5-2. Power Consumption

MODE	H/V SYNC	VIDEO	POWER CONSUMPTION	LED COLOR	
POWER ON (NORMAL)	ON/ON	ACTIVE	less than 98 W	BLUE	BLUE
STAND-BY	OFF/ON	OFF	less than 5 W	AMBER	BLUE
SUSPEND	ON/OFF	OFF	less than 5 W	AMBER	BLUE
DPM OFF	OFF/OFF	OFF	less than 3 W	AMBER	BLUE
POWER OFF	-	-	less than 3 W	OFF	BLUE
POWER CUT OFF S/W OFF	-	-	less than 1 W	OFF	OFF

6. ENVIRONMENT

6-1. Operating Temperature: 10°C~35°C (50°F~95°F)
 (Ambient)
 6-2. Relative Humidity : 10%~80%
 (Non-condensing)
 6-3. MTBF : 50,000 Hours(Typ.)

7. DIMENSIONS

Display(with TILT/SWIVEL)
 Width : 587.5 mm (23.13")
 Depth : 260 mm (10.24")
 Height : 446.5 mm (17.58")
Media Station
 Width : 129.6 mm (5.10")
 Depth : 205.6 mm (8.09")
 Height : 191.6 mm (7.54")

8. WEIGHT

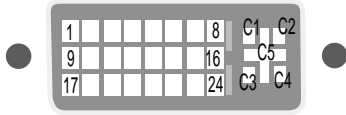
Display(with Tilt/Swivel) : 11.56kg (25.49 lbs)
 Media station : 2.7kg (5.95 lbs)

9. USB

USB standard : Rev.1.0compliedSelf-poweredhub
 Downstream power supply : 500mA for each(MAX)
 Communication speed : Full-12Mbps, Low-1.5Mbps
 USB port : 1 Upstream port
 2Downstream ports

Signal Connector Pin Assignment

• DVI-D/ DVI-I Connector




Pin	Signal (DVI-D)
1	T. M. D. S. Data2-
2	T. M. D. S. Data2+
3	T. M. D. S. Data2/4 Shield
4	T. M. D. S. Data4-
5	T. M. D. S. Data4+
6	DDC Clock
7	DDC Data
8	Analog Vertical Sync.
9	T. M. D. S. Data1-
10	T. M. D. S. Data1+
11	T. M. D. S. Data1/3 Shield
12	T. M. D. S. Data3-
13	T. M. D. S. Data3+
14	+5V Power
15	Ground (return for +5V, H. Sync. and V. Sync.)

Pin	Signal (DVI-D)
16	Hot Plug Detect
17	T. M. D. S. Data0-
18	T. M. D. S. Data0+
19	T. M. D. S. Data0/5 Shield
20	T. M. D. S. Data5-
21	T. M. D. S. Data5+
22	T. M. D. S. Clock Shield
23	T. M. D. S. Clock+
24	T. M. D. S. Clock-
C1	Analog Red
C2	Analog Green
C3	Analog Blue
C4	Analog H. Sync.
C5	Analog Ground

T. M. D. S. (Transition Minimized Differential Signaling)
C1~C5 : DVI-I only

PRECAUTION

WARNING FOR THE SAFETY-RELATED COMPONENT.

- There are some special components used in LCD monitor that are important for safety. **These parts are marked  on the schematic diagram and the replacement parts list.** It is essential that these critical parts should be replaced with the manufacturer's specified parts to prevent electric shock, fire or other hazard.
- Do not modify original design without obtaining written permission from manufacturer or you will void the original parts and labor guarantee.

TAKE CARE DURING HANDLING THE LCD MODULE WITH BACKLIGHT UNIT.

- Must mount the module using mounting holes arranged in four corners.
- Do not press on the panel, edge of the frame strongly or electric shock as this will result in damage to the screen.
- Do not scratch or press on the panel with any sharp objects, such as pencil or pen as this may result in damage to the panel.
- Protect the module from the ESD as it may damage the electronic circuit (C-MOS).
- Make certain that treatment person's body are grounded through wrist band.
- Do not leave the module in high temperature and in areas of high humidity for a long time.
- The module not be exposed to the direct sunlight.
- Avoid contact with water as it may a short circuit within the module.
- If the surface of panel become dirty, please wipe it off with a softmaterial. (Cleaning with a dirty or rough cloth may damage the panel.)

WARNING

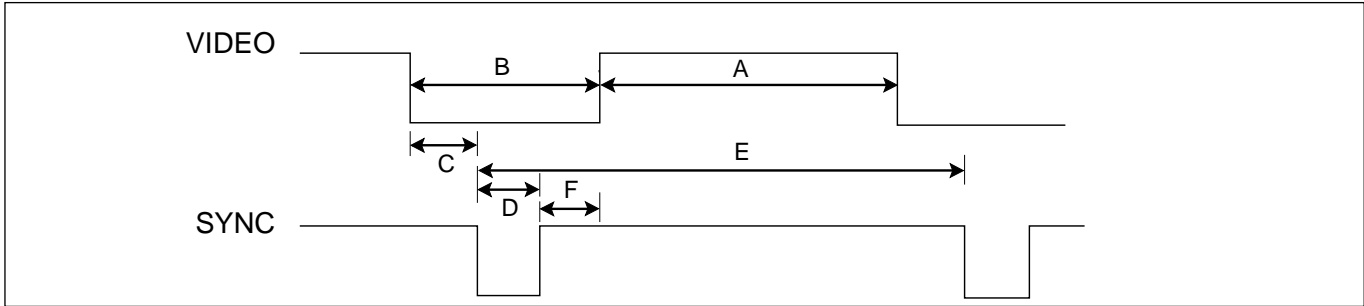
BE CAREFUL ELECTRIC SHOCK !

- If you want to replace with the new backlight (CCFL) or inverter circuit, must disconnect the AC adapter because high voltage appears at inverter circuit about 650Vrms.
- Handle with care wires or connectors of the inverter circuit. If the wires are pressed cause short and may burn or take fire.

CAUTION

Please use only a plastic screwdriver to protect yourself from shock hazard during service operation.

TIMING CHART



<< Dot Clock (MHz), Horizontal Frequency (kHz), Vertical Frequency (Hz), Horizontal etc... (µs), Vertical etc... (ms) >>

Mode	H/V Sort	Sync Polarity	Dot Clock	Frequency	Total Period (E)	Video Active Time (A)	Front Porch (C)	Sync Duration (D)	Back Porch (F)	Resolution
1	H	+	25.175	31.47	800	640	16	96	48	640x350
	V	-		70.09	449	350	38	2	60	70Hz
2	H	-	25.175	31.47	800	640	16	96	48	640x480
	V	-		59.94	525	480	10	2	33	60Hz
3	H	-	31.5	37.5	840	640	16	64	120	640x480
	V	-		75	500	480	1	3	16	75Hz
4	H	-	36.0	43.27	832	640	56	56	80	640x480
	V	-		85.01	509	480	1	3	25	75Hz
5	H	-	28.324	31.47	900	720	18	108	54	720x400
	V	+		70.08	449	400	13	2	34	70Hz
6	H	+	40.0	37.879	1056	800	40	128	88	800x600
	V	+		60.317	628	600	1	4	23	60Hz
7	H	+	49.5	46.875	1056	800	16	80	160	800x600
	V	+		75.0	625	600	1	3	21	75Hz
8	H	+	56.25	53.674	1048	800	32	64	152	800x600
	V	+		85.061	631	600	1	3	27	85Hz
9	H	+/-	57.283	49.725	1152	832	32	64	224	832x624
	V	+/-		74.55	667	624	1	3	39	75Hz
10	H	-	65.0	48.363	1344	1024	24	136	160	1024x768
	V	-		60.0	806	768	3	6	29	60Hz
11	H	-	78.75	60.123	1312	1024	16	96	176	1024x768
	V	-		75.029	800	768	1	3	28	75Hz
12	H	+	94.5	68.677	1376	1024	48	96	208	1024x768
	V	+		84.997	808	768	1	3	36	85Hz
13	H	+/-	100.0	68.681	1456	1152	32	128	144	1152x870
	V	+/-		75.062	915	870	3	3	39	75Hz
14	H	+/-	92.978	61.805	1504	1152	18	134	200	1152x900
	V	+/-		65.96	937	900	2	4	31	65Hz
15	H	+	108.0	63.981	1688	1280	48	112	248	1280x1024
	V	+		60.02	1066	1024	1	3	38	60Hz
16	H	+	135.0	79.976	1688	1280	16	144	248	1280x1024
	V	+		75.035	1066	1024	1	3	38	75Hz
17	H	+	162.0	75.000	2160	1600	64	192	304	1600x1200
	V	+		60.0	1250	1200	1	3	46	60Hz
18	H	+	202.5	93.750	2160	1600	64	192	304	1600x1200
	V	+		75.000	1250	1200	1	3	46	75Hz
19	H	+	193.25	74.556	2592	1920	136	200	336	1920x1200
	V	+		59.885	1245	1200	3	6	36	60Hz

! 1~19 : D-SUB, 1~17 : DVI-I, DVI-D: 1~15

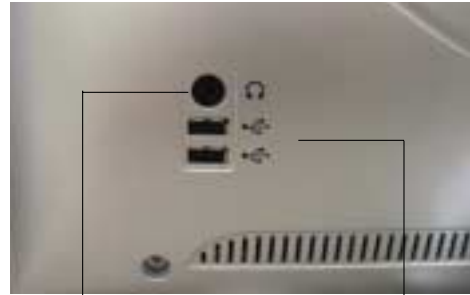
OPERATING INSTRUCTIONS

FRONT VIEW



Front Control Panel

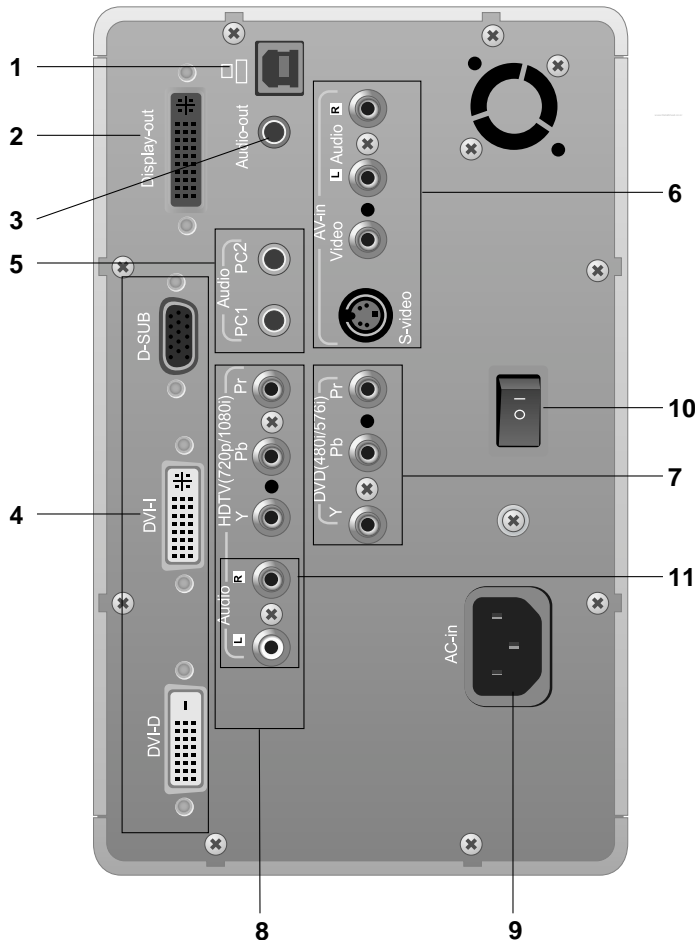
REAR VIEW



Headphone/Earphone Input
Automatically mutes the speaker volume when the headphones are plugged in.

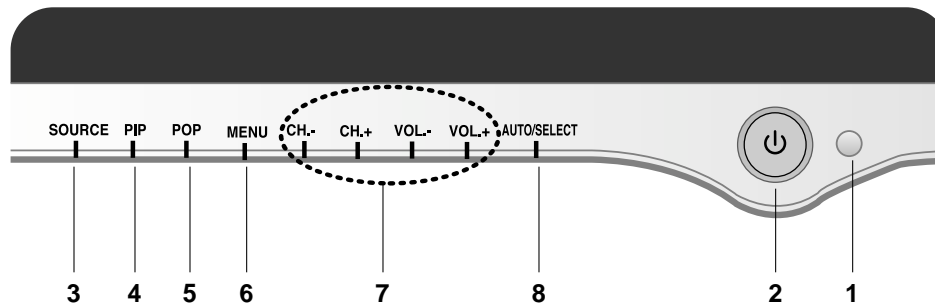
USB downstream ports

MEDIA STATION REAR VIEW



1. USB upstream port
2. Connect the P&D cable
3. Connect to the speaker including a built-in amplifier(AMP)
4. PC signal inputs
5. Connect the audio cable to the *LINE OUT jack of the PC sound card.
-PC1 : When connecting D-SUB/DVI-I signal cable
-PC2 : When connecting DVI-D signal cable
6. AV Input ports
7. DVD(YPbPr) Input ports - 480i/576i
8. HDTV(YPbPr) Input ports - 720p/1080i
9. Connect the power cord
10. Power cut-off switch of the monitor
11. DVD(YPbPr), HDTV(YPbPr) Audio(L/R) Input ports

Front Control Panel



1. Remote Control Sensor

2. Power Button

Use this button to turn the display on or off.

<Power (DPMS) Indicator>

This Indicator lights up blue when the display operates normally. If the display is in DPM (Energy Saving) mode, this indicator color changes to amber.

3. Source Button

Use this button to select an input signal



- DSUB ANALOG: 15-pin D-sub analog signal
- DVI-I ANALOG: DVI-I analog signal
- DVI-I DIGITAL: DVI-I digital signal
- HDTV YPbPr: HDTV
- DVI-D DIGITAL: DVI-D digital signal
- S-VIDEO: S video
- VIDEO: Composite video
- DVD YPbPr: DVD

4. PIP Button

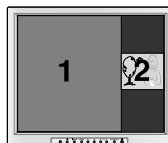


The sub-screen is changed in the order shown below.

: SMALL -> LARGE -> OFF

The positions of **SOURCE 1** and **SOURCE 2** can be transposed by selecting **SWAP** on the remote control.

5. POP Button



The sub-screen is changed in the order shown below.

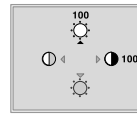
: SMALL -> MEDIUM -> LARGE -> OFF

The positions of **SOURCE 1** and **SOURCE 2** can be transposed by selecting **SWAP** on the remote control.

6. MENU Button

Use this button to enter or exit On Screen Display.

7. CH. -+, VOL. -+



CH.-+

- Bring up Contrast and Brightness adjustment. It is available to the PC signal inputs only.



VOL.-+

- Use these buttons to decrease or increase the volume level.

Use these buttons to choose or adjust items in the On Screen Display.

8. AUTO Button

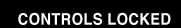


When adjusting your display settings, always press the

AUTO/SELECT button before entering the On Screen Display(OSD). This will automatically adjust your display image to the ideal settings for the current screen resolution size (display mode). It is available to the PC signal inputs only.

The best display mode is **1920x1200 @60Hz**

Use this to enter a selection in the On Screen Display.



CONTROLS LOCKED/UNLOCKED : MENU and VOL.+

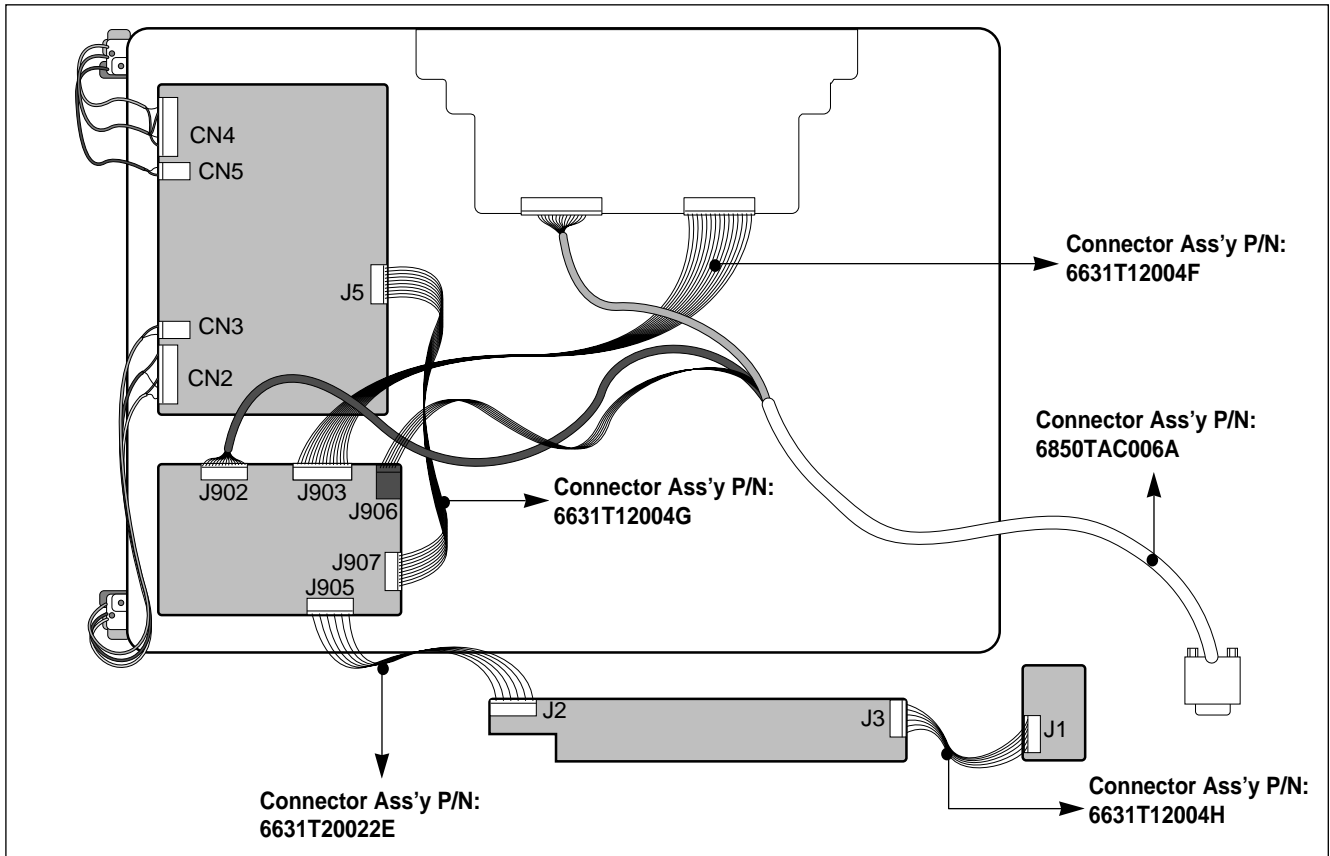


This function allows you to secure the current control settings, so that they cannot be inadvertently changed.

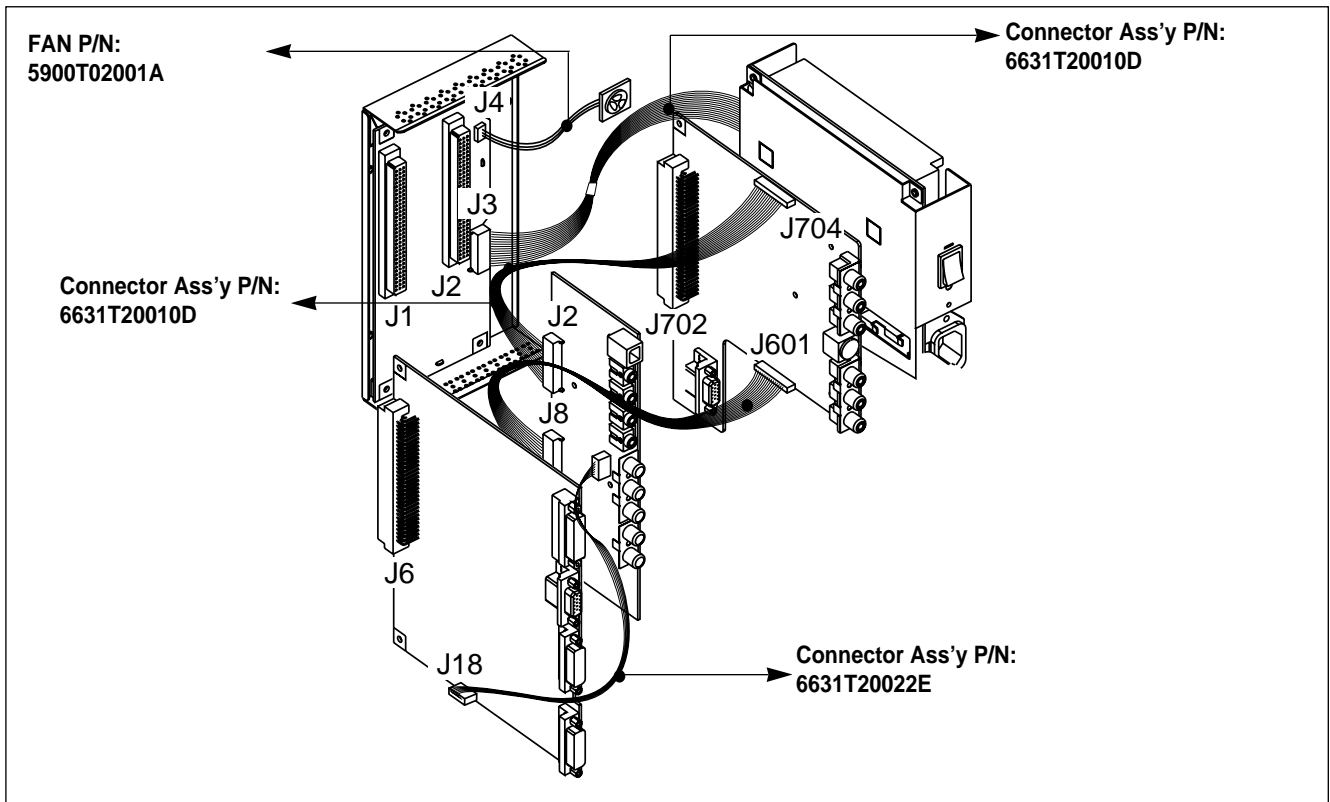
Press and hold the **MENU** button and **VOL.+** button for 5 seconds: the message "**CONTROLS LOCKED**" appears.

You can unlock the OSD controls at any time by pushing the **MENU** button and **VOL.+** button for 5 seconds: the message "**CONTROLS UNLOCKED**" will appear.

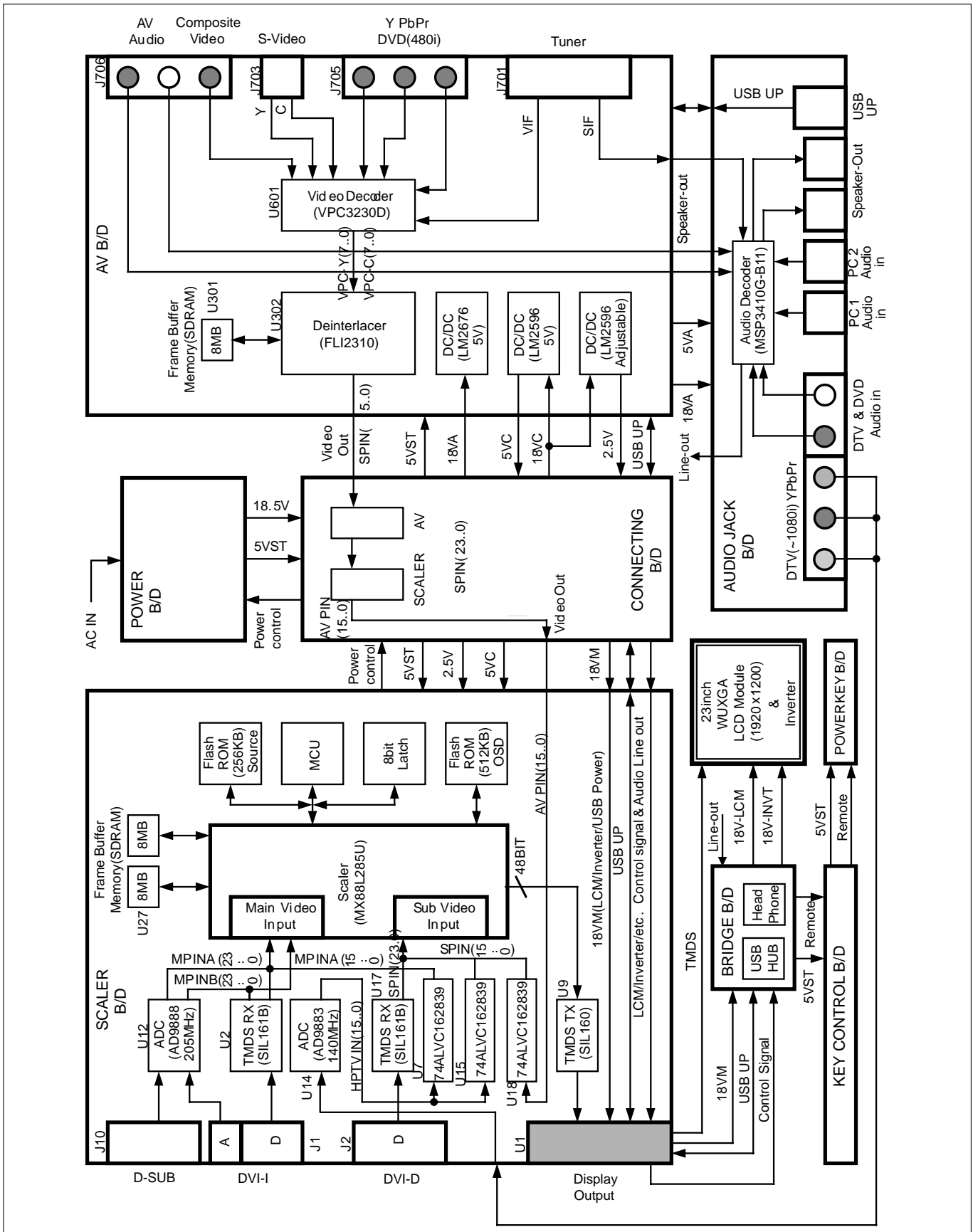
WIRING DIAGRAM(DISPLAY)



WIRING DIAGRAM(Media Station)



BLOCK DIAGRAM



DESCRIPTION OF BLOCK DIAGRAM

1. Input Selection Circuit

This block is composed of 74VHCT126A(U10,U11) and peripheral devices.

There are two inputs, Analog and Digital H/V Sync. 74VHCT126A(U10,U11) chooses one input and outputs selected input through sync selection pin (Pin 1,4,13).

2. A/D Converter

This block is composed of AD9888 (U12) and peripheral devices. AD9888(U12) includes A/D converter, Pre-amp, and PLL.

The basic RGB signal (0.7Vp-p) is input to R,G,B pin of AD9888(U12).

Input video signal is amplified, Phase locked , A/D converted to 8bits digital signal by this IC(U12) And send the Digital video signal to MX88L285(U62).

U12 makes clock for MX88L285(U201)

3. TMDS Receiver

This Block is composed of Sil161B (U2,U17) and peripheral devices.

This ICs decodes TMDS Input signal from DVI-I(J1) and DVI-D Pin (J2) and make 8bit digital signal to send Digital signal to MX88L285(U201).

4. DDC controller

This block is composed of P89C662F(U43) and peripheral devices. P89C662F(U43) controls peripheral devices through IIC line.

Major functions are (1) to control Flash memory through DDC-SCLA, DDC-SDAA of D-sub And (2) to store EDID data in the EEPROM (U34,U49,U50)

5. Video Decoder

This block is composed of VPC3230D(U601) and peripheral devices.

P89C662F(U43) controls this IC through IIC Line.

This IC analyzes input signal of CVBS, Y/C, Y/Pb/Pr and output analyzed signal (8bit interlace signal) to De-interlace block.

Analyzed signal has video control signals like Contrast, Brightness, Sharpness, Color, tint signals Including Adaptive Comb Filter.

6. DTV Circuit

This block is composed of AD9883(U14) and peripheral devices. AD9883(U14) includes A/D converter, Pre-amp, and PLL.

Input video signal is amplified, Phase locked , A/D converted to 8bits digital signal by this IC(U14) And send the Digital video signal to MX88L285(U201).

U14 makes clock for MX88L285(U201)

7. Audio Decoder

This block is composed of MSP3420G (U3) and peripheral devices.

P89C662F(U43) controls this IC through IIC Line.

This IC analyzes Audio input signal through A/V Jack and PC1/2 audio, DVD/DTV audio.

8. De-interlacer

This block is composed of FLI2310(U302) and peripheral devices.

P89C662F(U43) controls this IC through IIC Line.

And this IC convert 8 Bit Interlace Y/UV signal to De-interlace signal.

It output converted signal to Format Converter (MX88L285)U201.

9. Format Converter

This block is composed of MX88L285(U201), MX29LV004B(U28), EM638325(U26,U27) and peripheral devices.

P89C662F controls this IC through parallel line.

MX88L285(U201) processes outputs of A/D Converter and TMDS Receiver, DTV circuit, De-interlace output and output processed 48 Bit Digital signal to TMDS Transmitter.

MX88L285(U201) is Format Converter IC that receive Digital signal and output proper frame signal to LCD Module(1920 x1200).

10. Panel-Link Circuit

TMDS Transmitter (SIL160, U9) is the IC that receives output digital signal of MX88L285(U201) and output to LCD Module.

The signal format is Panel-link.

LCD Module has Panel-link receiver that is same output of MX88L285(U201).

This is the best for reduction EMI problem and the number of pin connector.

11. DC/DC Converter block

DC/DC Converters convert the input 18V to proper 1.8V, 2.5V, 3.3V, 5V, 8V for main board.

For shooting heat trouble, we use the DC/DC converting IC.

ADJUSTMENT

Windows EDID V1.0 User Manual

Operating System: MS Windows 98, 2000, XP

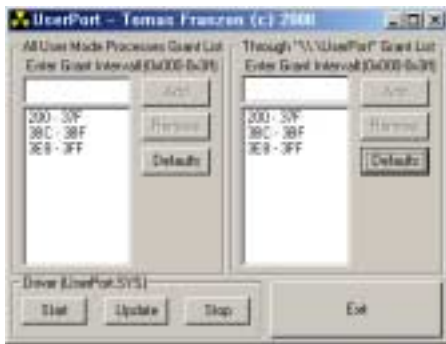
Port Setup: Windows 98 => Don't need setup

Windows 2000, XP => Need to Port Setup.

This program is available to LCD Monitor only.

1. Port Setup

- a) Copy "UserPort.sys" file to "c:\WINNT\system32\drivers" folder
- b) Run Userport.exe



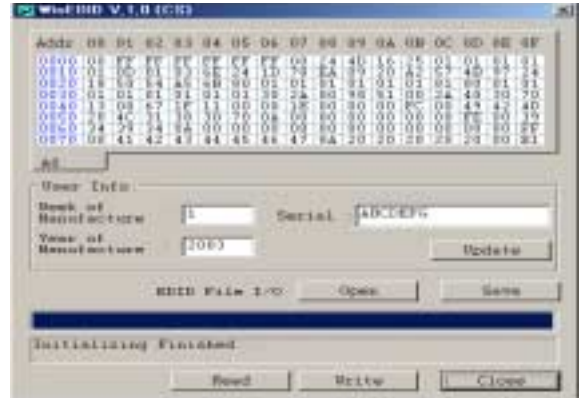
- c) Remove all default number
- d) Add 300-3FF



- e) Click Start button.
- f) Click Exit button.

2. EDID Read & Write

1) Run WinEDID.exe



2) Edit Week of Manufacture, Year of Manufacture, Serial Number

- a) Input User Info Data
- b) Click "Update" button
- c) Click "Write" button



SVC OSD

- 1) Turn off the power switch at the front side of the display.
- 2) Wait for about 5 seconds and press MENU, PR+ and VOL+ with in 1 second interval.
- 3) The SVC OSD menu contains additional menus that the User OSD menu as described below.
 - a) ELAP. TIME CLEAR: Displays or clears the used time.
 - b) AUTO GAIN/OFFSET: Automatically sets the gain and offset value. (Pattern is used for D-Sub window pattern.)
 - c) AUSTRALIA TV: The default value is off. When watching the Australian TV, turn it on.
 - d) R/G/B-GAIN: Allows you to set the R/G/B gain value manually.
 - e) R/G/B-OFFSET: Allows you to set the R/G/B-OFFSET value manually.
 - f) FAN: The default value is set to Auto. If set to Auto, the fan runs according to the surrounding temperature. If set to On, the fan will run indefinitely as long as the power is on. (You can use this option to check fan operation status. Make sure to set to Auto after inspection.)
 - g) TXT LANG: Set the proper text language (0~16).
 - h) RESET: The default value is set to Off. You can change the setting only after setting on after SVC OSD menu change.

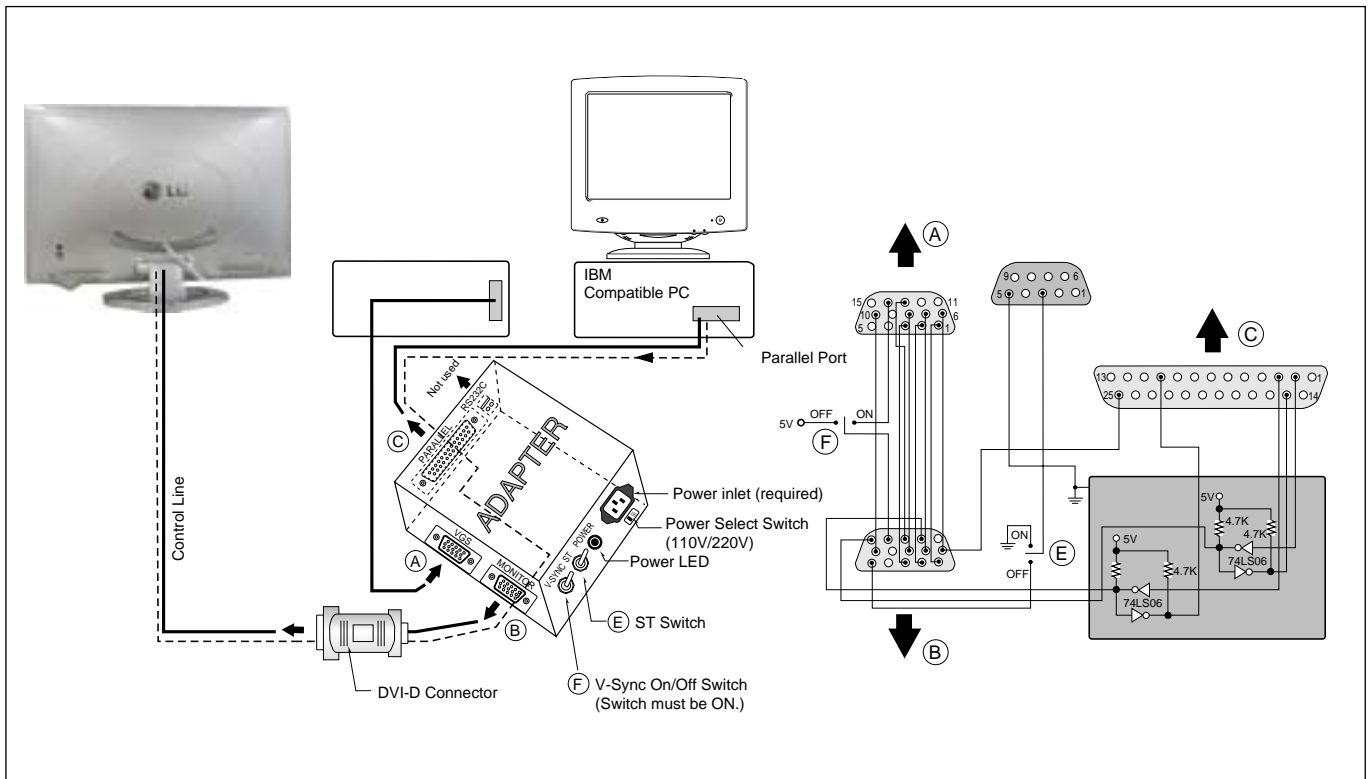
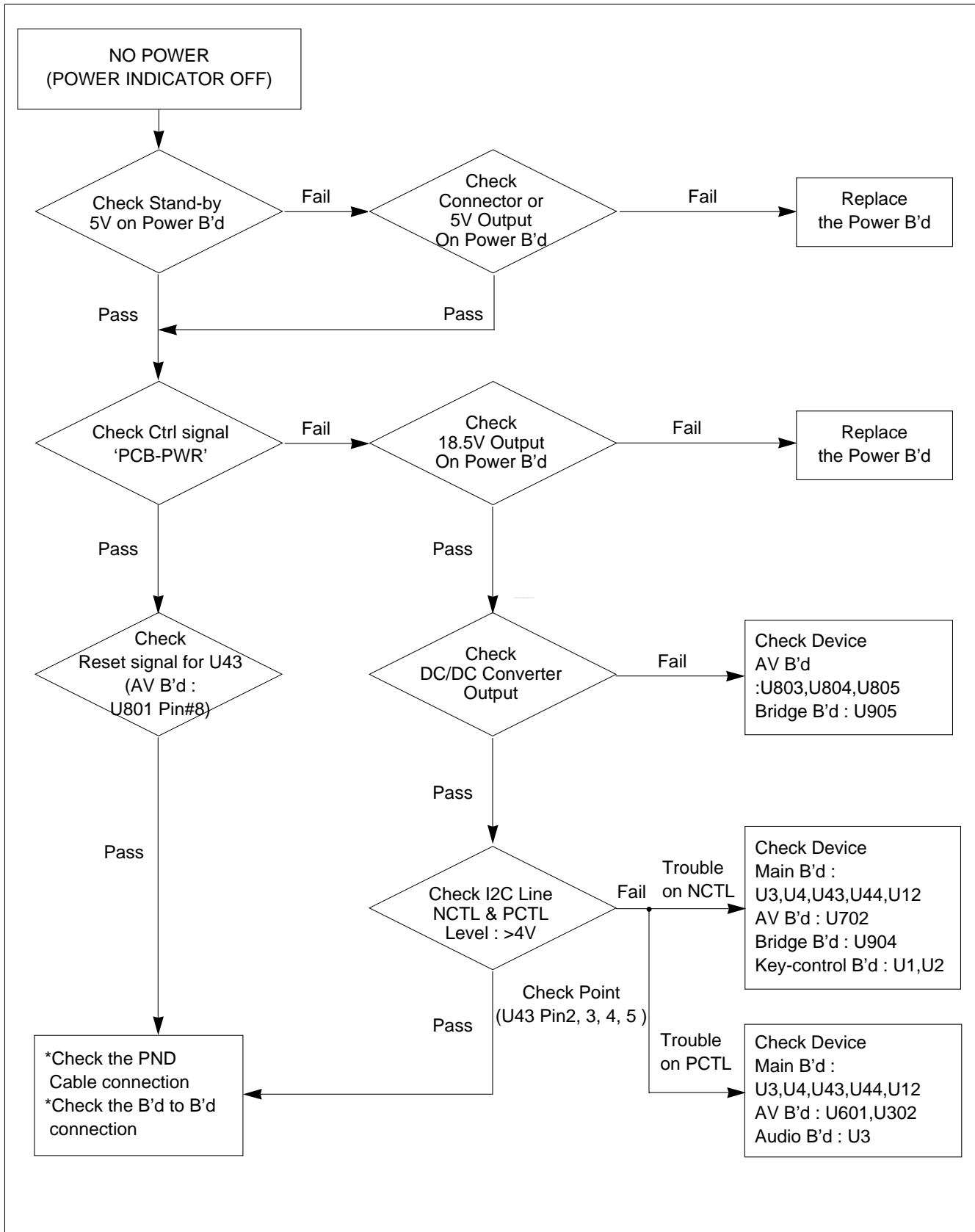


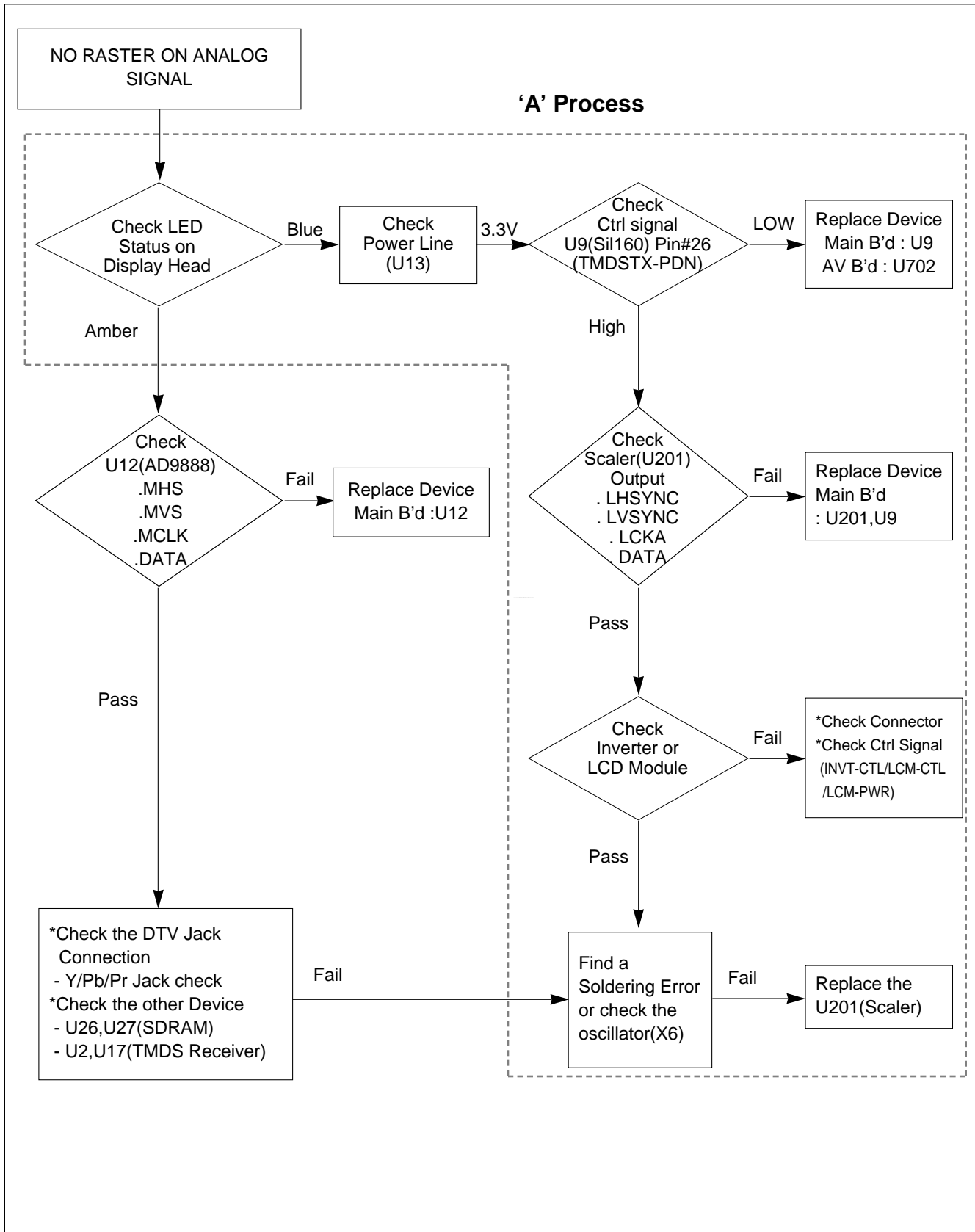
Figure 1. Cable Connection

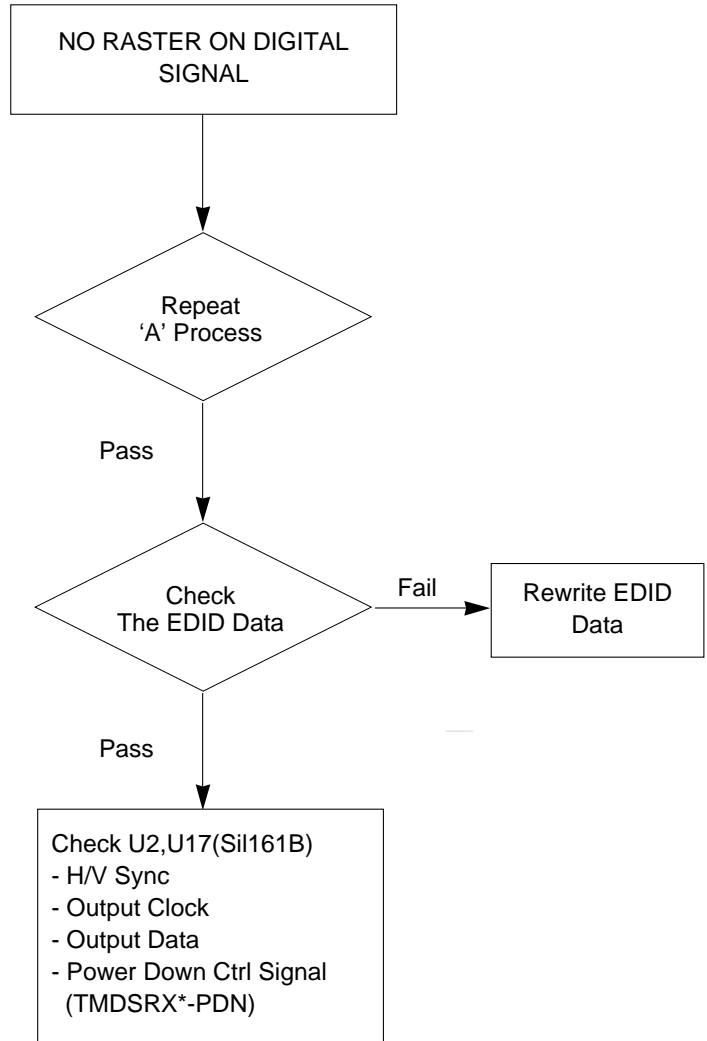
TROUBLESHOOTING GUIDE

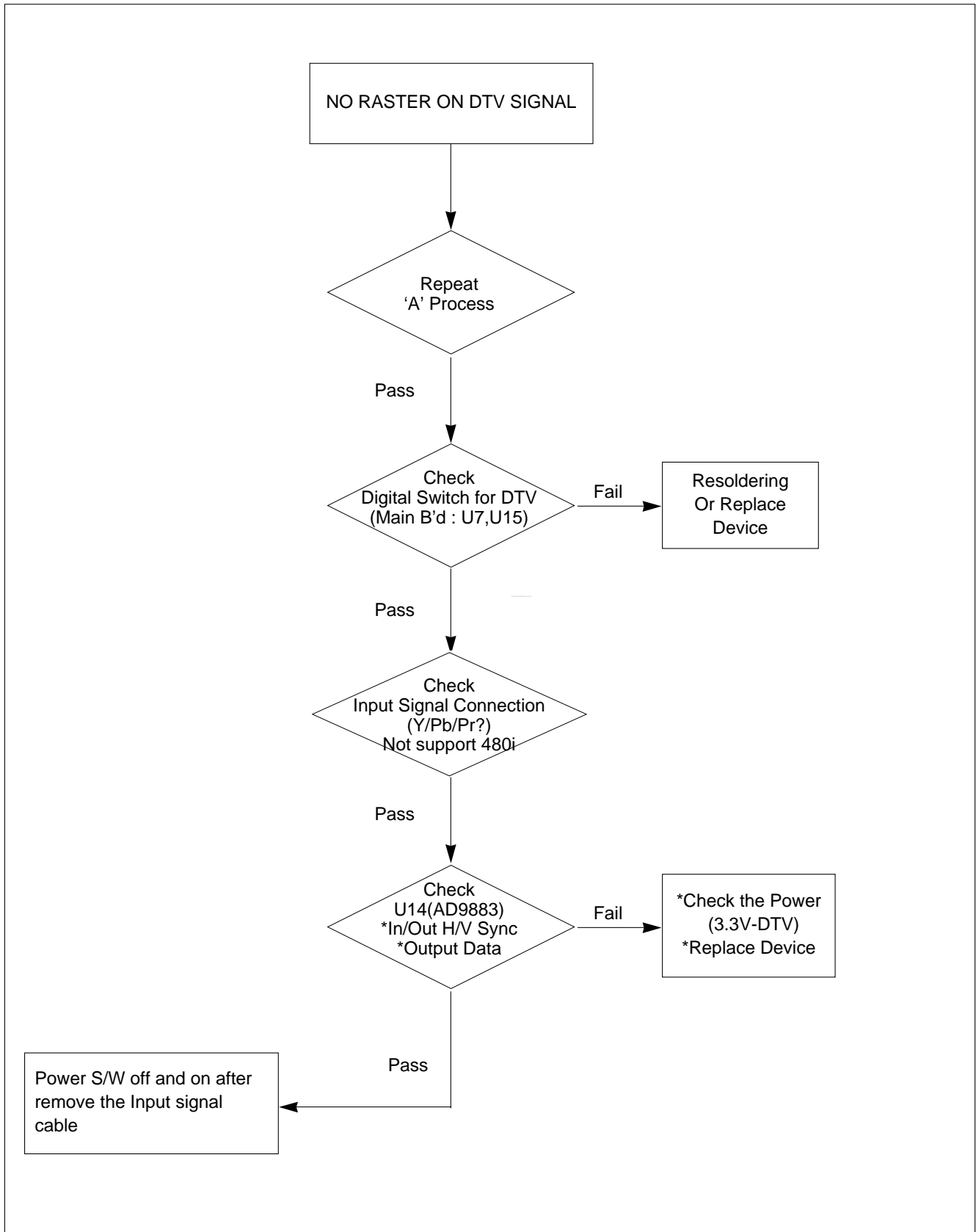
1. OUT OF ORDER ON POWER

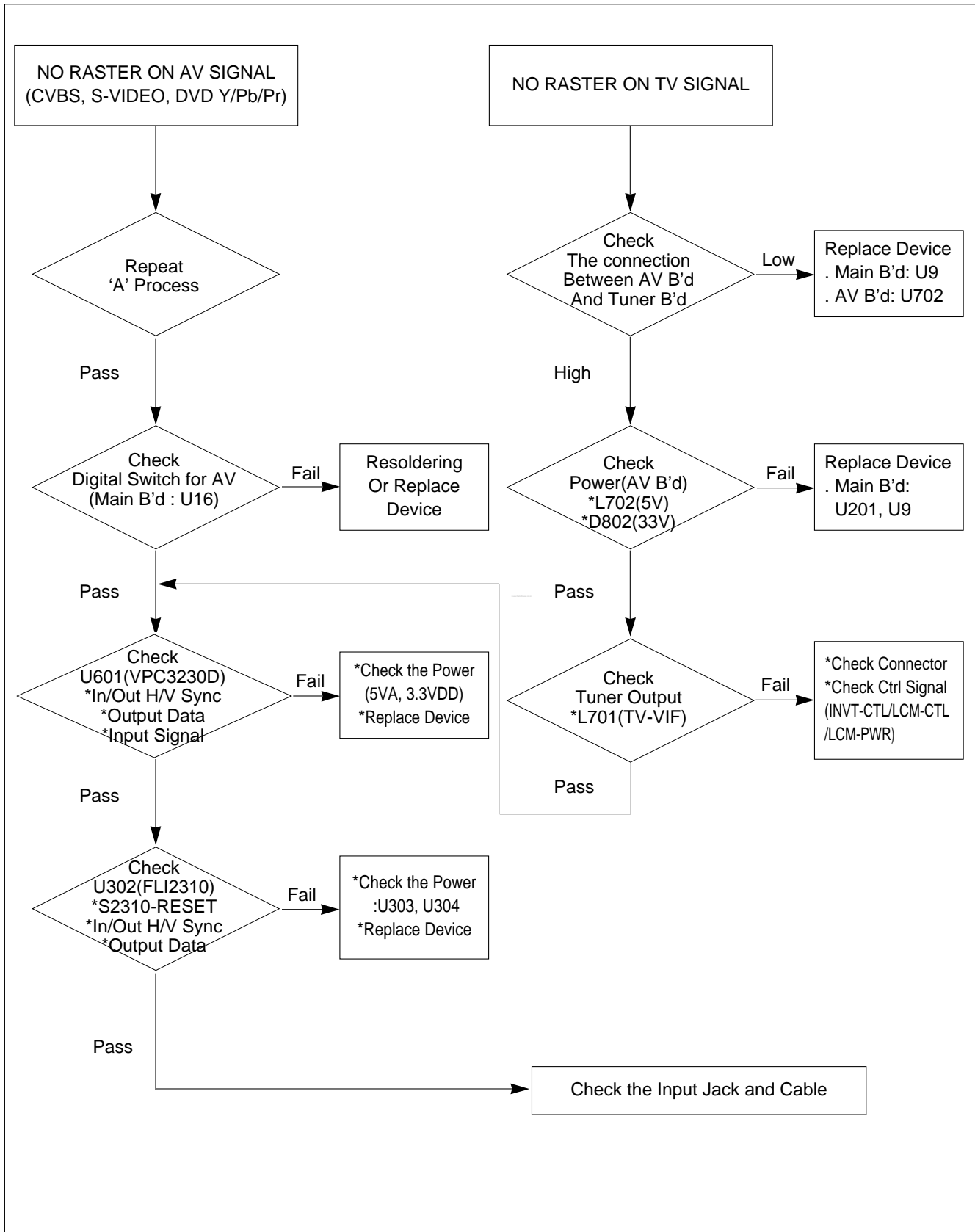


2. NO RASTER STATE

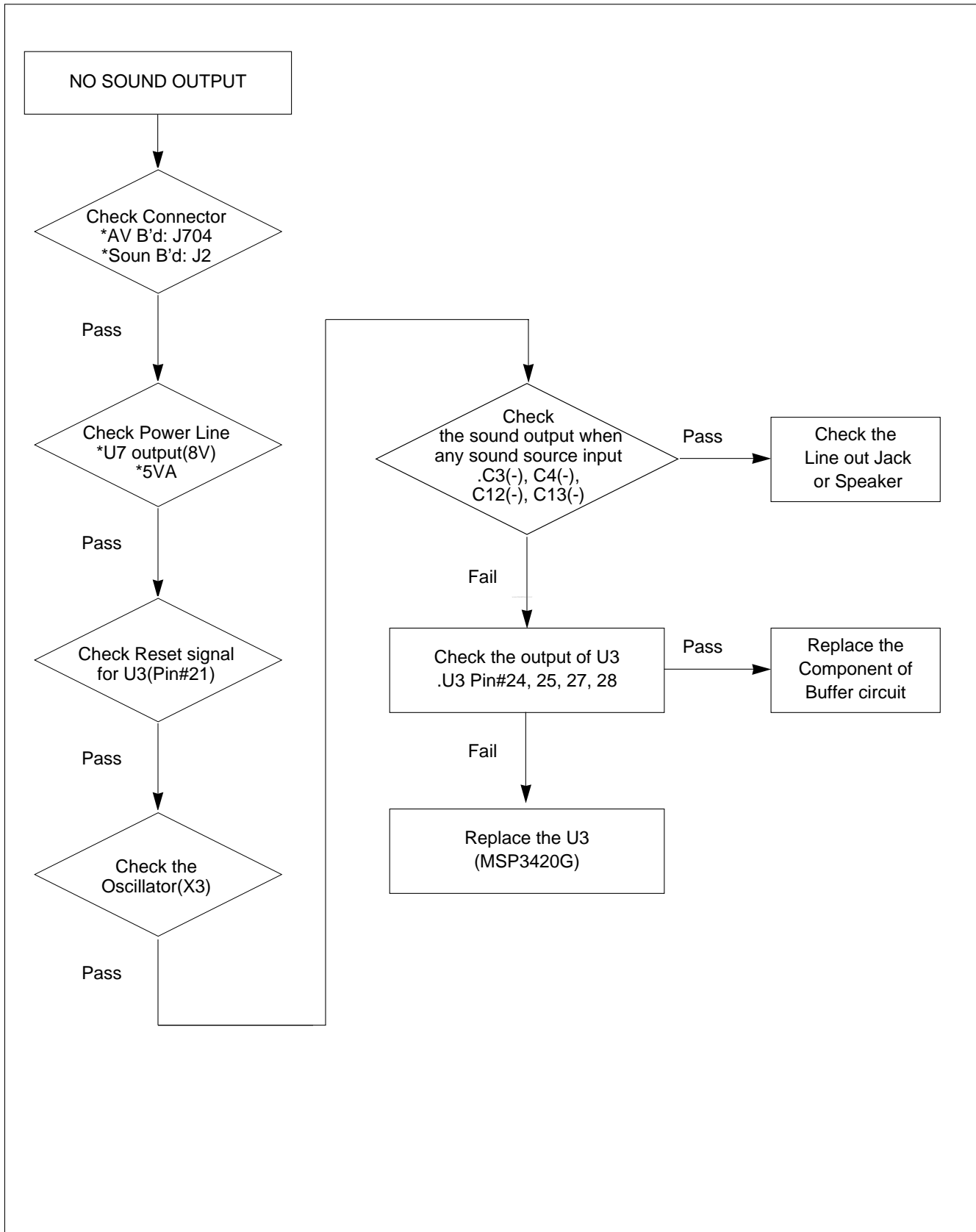






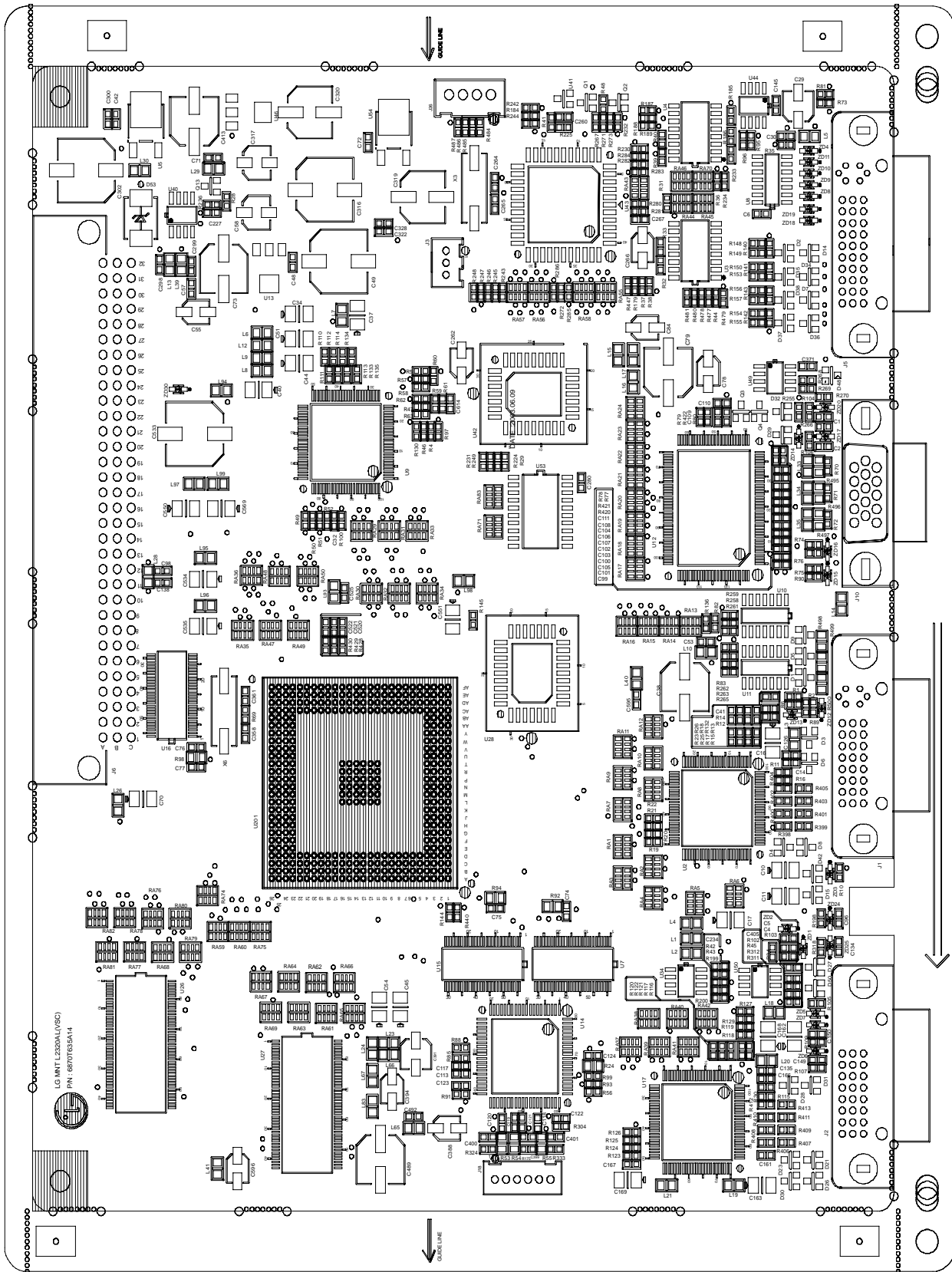


3. SOUND TROUBLE SHOOTING

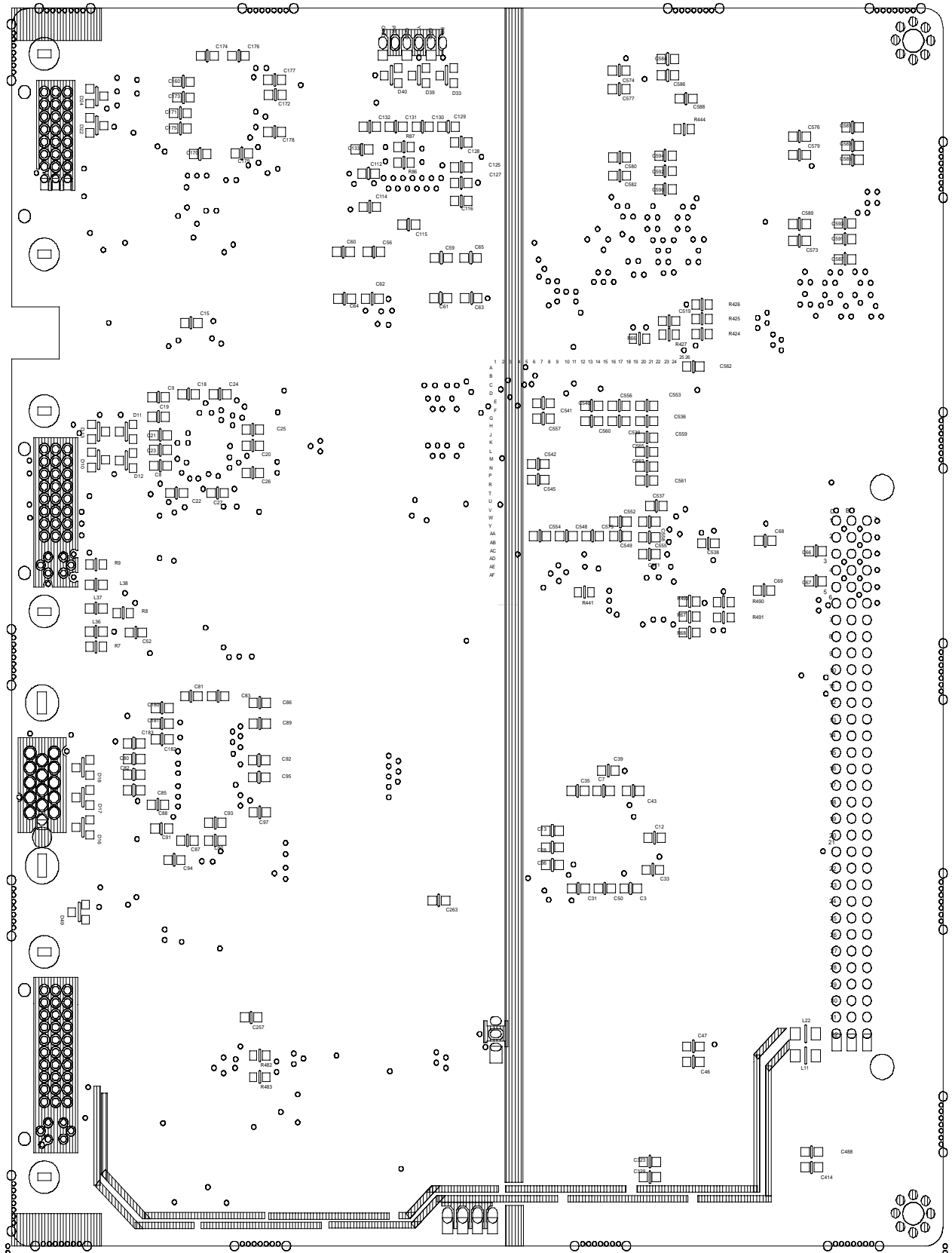


PRINTED CIRCUIT BOARD

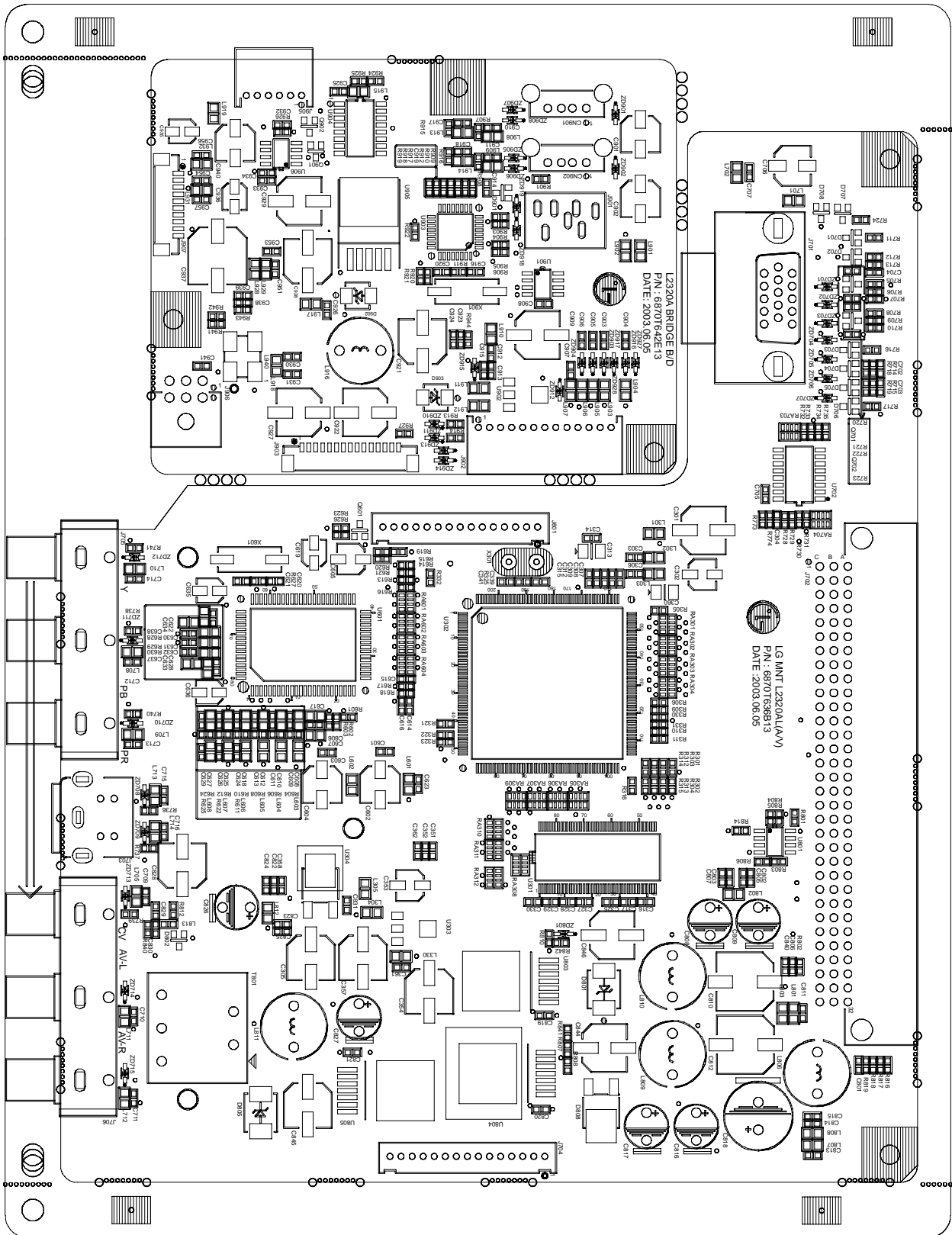
1. MAIN BOARD (Component Side)



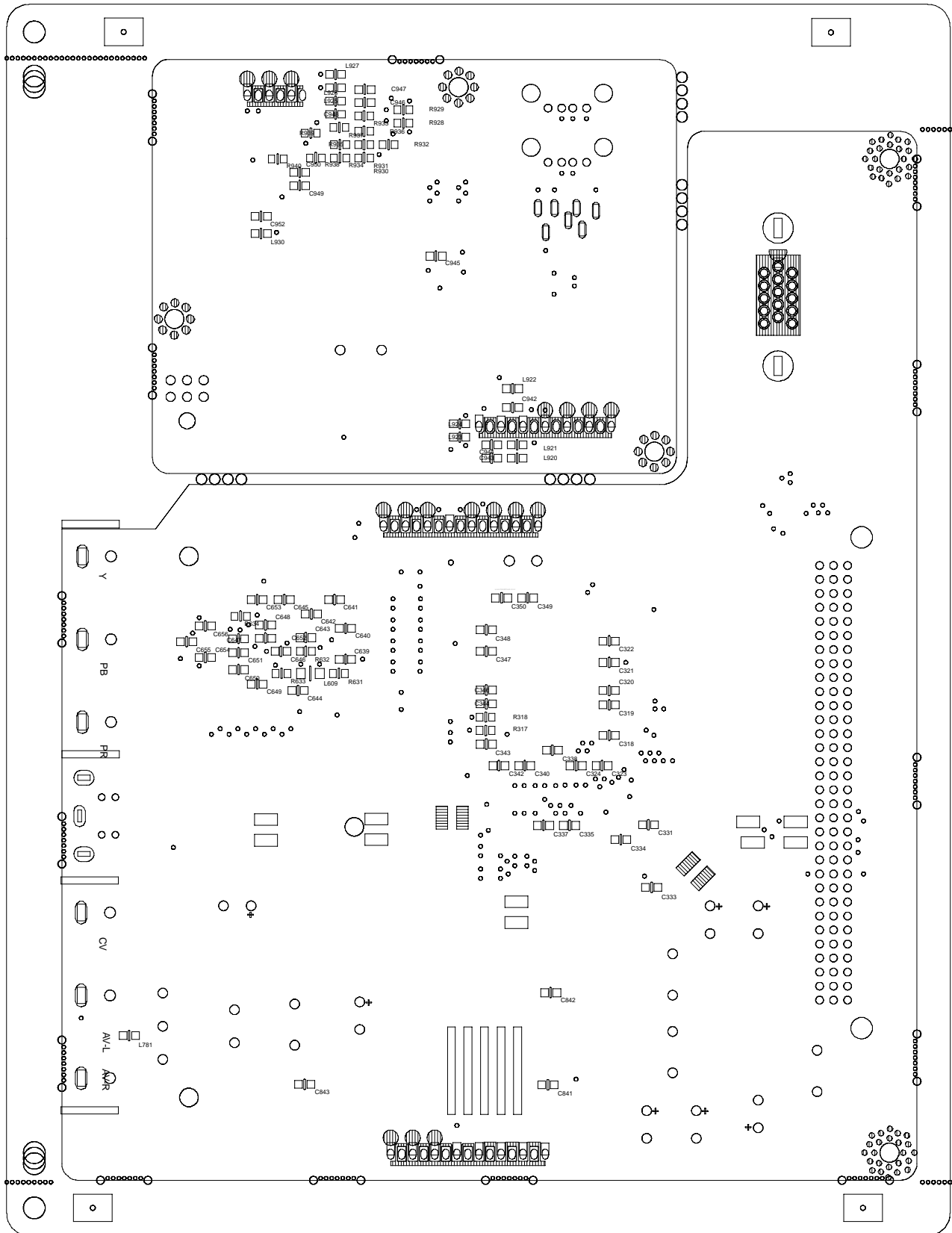
2. MAIN BOARD (Solder Side)



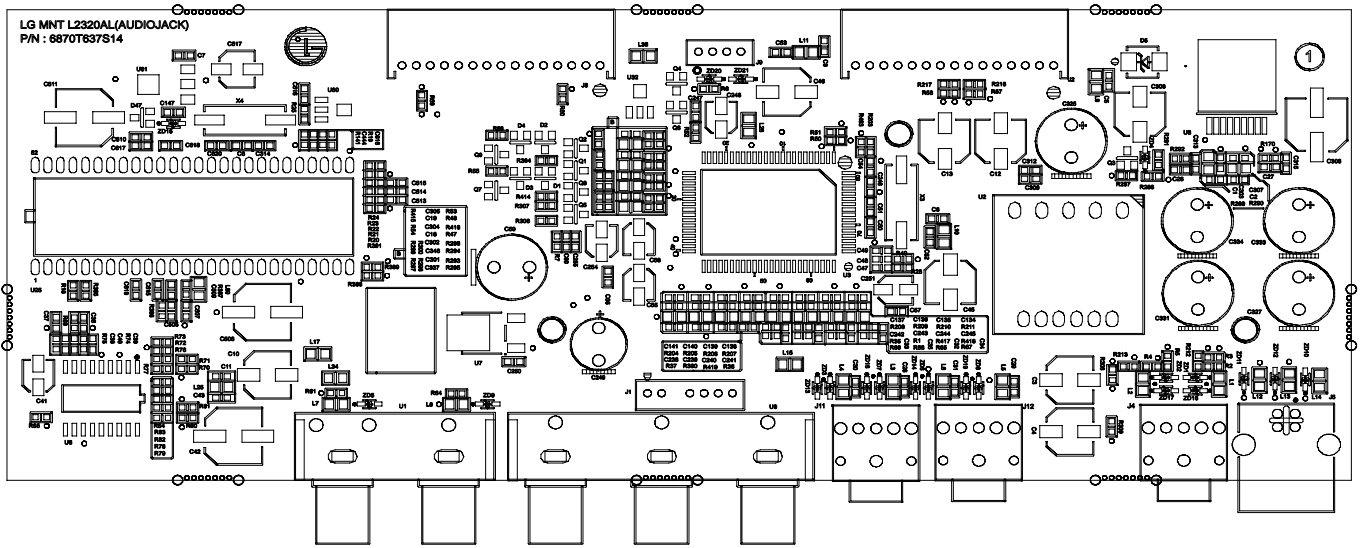
3. VIDEO & BRIDGE BOARD (Component Side)



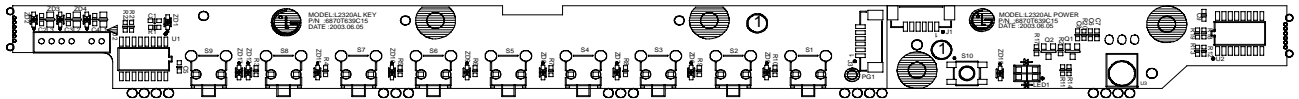
4. VIDEO & BRIDGE BOARD (Solder Side)



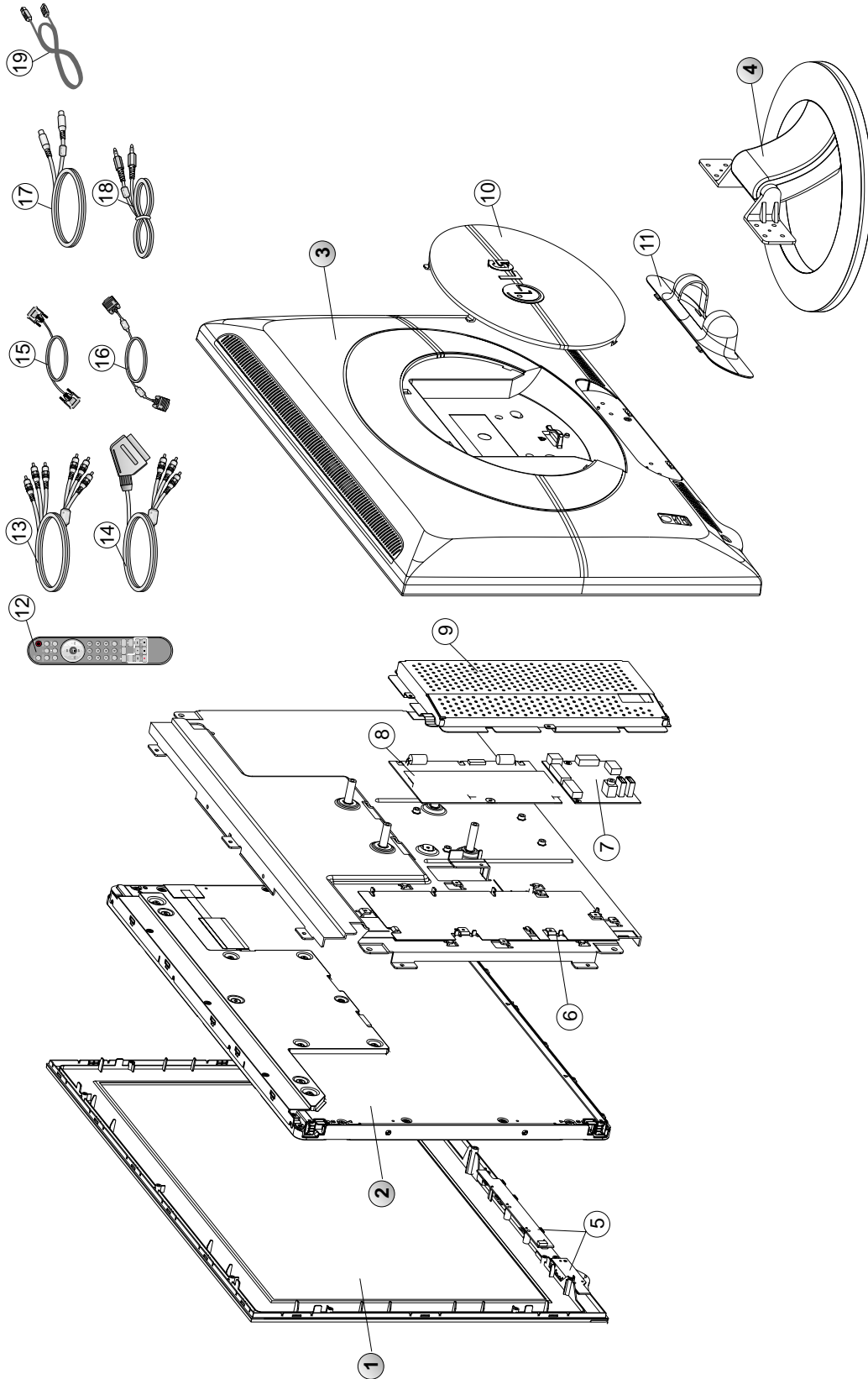
5. AUDIO BOARD



6. CONTROL BOARD



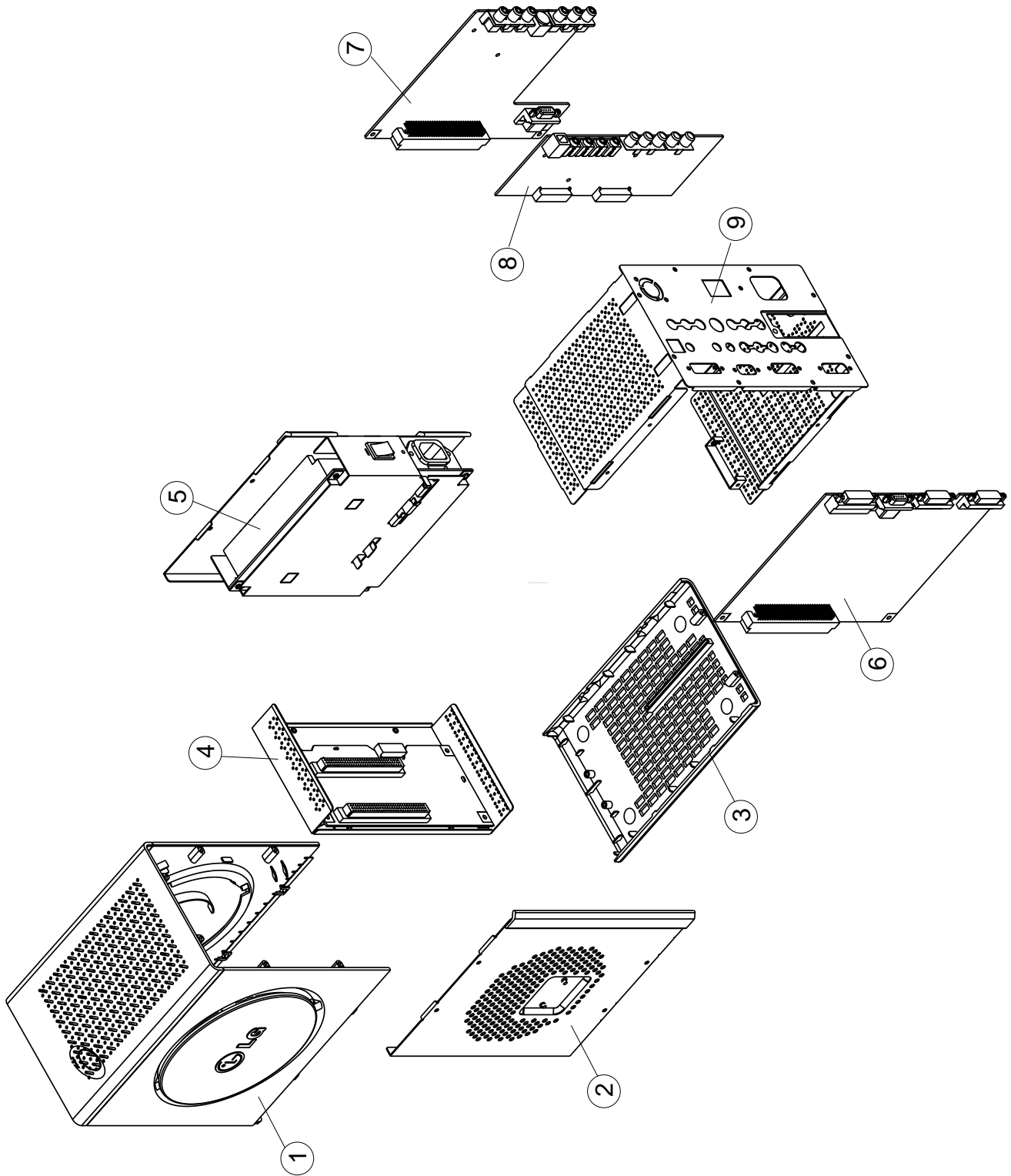
EXPLODED VIEW(DISPLAY)



EXPLODED VIEW PARTS LIST(DISPLAY)

Ref. No.	Part No.	Description
1	3091TKE003B	CABINET ASSEMBLY, L2320AL BRAND 3090TKE002 .
2	6304FLP066A	LCD(LIQUID CRYSTAL DISPLAY), LM230W01-A2P3 LG PHILIPS TFT COLOR WUXGA
3	3809TKE003B	BACK COVER ASSEMBLY, L2320AL 3808TKE002 OEM
4	3043TKK118A	TILT SWIVEL ASSEMBLY, L2320AL . .
5	6871TST387A	PWB(PCB) ASSEMBLY, SUB, L2320AL CONTROL TOTAL BRAND CL-46
6	4951TKS101A	METAL ASSEMBLY, FRAME MAIN(L2320AL)
7	6871TVT358C	PWB(PCB) ASSEMBLY, VIDEO, L2320AL VIDEO TOTAL BRAND ALRDT
8	6633TZA002C	INVERTER ASSEMBLY, AMBIT 6 LAMPS,18V L2320AL
9	4951TKK120A	METAL ASSEMBLY, REAR SHIELD(L2320AL)
10	3551TKK037A	COVER ASSEMBLY, L2320AL REAR 3550TKK312 CAP
11	3550TKK313A	COVER, L2320AL HINGE CAP
12	6710T00003B	REMOTE CONTROLLER L2320A NTSC NTSC REMOTE CONTROLLER
13	6852TAZ006B	CORD, AV, RCA CABLE UL 2863 #25 3000MM BLACK(9930) DH-3P-N300C LM295B
14	6852TAZ006C	CORD, AV, SCART CABLE UL 2863 #25 1500MM GRAY(85964) DH-3P-150SRC LM295B
15	6866TDV004H	CABLE, DVI, UL20276 DT 2000MM GRAY(85964) LB886F DM
16	6850TD9001J	CABLE, D-SUB, UL 2990-9C(7.5) DT 1870MM PEARL WH T541K DM
17	6852TAZ006D	CORD, AV, DIN CABLE UL 2990-9C(5.5) 1560MM BLACK(9930) DH-150DIN LM295B
18	6852TAZ006N	CORD,AV, AV KCA-ST-3-0011 UL2851 AWG28 1560MM GRAY(85964) LIME-L/BLUE WITH CORE L2320AL
19	6866TDU002D	CABLE, D-SUB, UL20276SB10P+2C AWG#30 DT 1870MM GRAY(85964) BRAND DM

EXPLODED VIEW(MEDIA STATION)



EXPLODED VIEW PARTS LIST(MEDIA STATION)

Ref. No.	Part No.	Description
1	3551TKK039A	COVER ASSEMBLY, L2320AL TOTAL 3550TKK323 MEDIA
2	4951TKK125A	METAL ASSY, MEDIA RIGHT
3	3551TKK038A	COVER ASSEMBLY, L2320AL BASE 3550TKK324 .
4	6871TKT289A	PWB(PCB) ASSEMBLY,INTERFACE, L2320AL INTERFACE TOTAL BRAND CL-46
5	6871TPT255A	PWB(PCB) ASSEMBLY,POWER, L2320AL POWER TOTAL BRAND CL-46
6	6871TMT421B	PWB(PCB) ASSEMBLY,MAIN, L2320AL APRDA BRAND CL-46 TOTAL
7	6871TVT358C	PWB(PCB) ASSEMBLY,VIDEO, L2320AL VIDEO TOTAL BRAND ALRDT
8	6871TST386B	PWB(PCB) ASSEMBLY,SUB, L2320AL SOUND TOTAL BRAND CL-46
9	4951TKK122A	METAL ASSEMBLY, REAR MEDIA

REPLACEMENT PARTS LIST

CAUTION: BEFORE REPLACING ANY OF THESE COMPONENTS,
 READ CAREFULLY THE **SAFETY PRECAUTIONS** IN THIS MANUAL.

* NOTE : **S** SAFETY Mark **AL** ALTERNATIVE PARTS

DATE: 2003. 06. 12.				
*S	*AL	LOC. NO.	PART NO.	DESCRIPTION / SPECIFICATION
MAIN BOARD				
CAPACITORS				
			C1	0CC101CK41A 100PF 1608 50V 5% R/TP NP0
			C2	0CC101CK41A 100PF 1608 50V 5% R/TP NP0
			C3	0CH3104K946 100000PF 50V Z F 2012 R/TP
			C4	0CC101CK41A 100PF 1608 50V 5% R/TP NP0
			C5	0CC101CK41A 100PF 1608 50V 5% R/TP NP0
			C6	0CK104CK56A 0.1UF 1608 50V 10% R/TP X7R
			C7	0CH3104K946 100000PF 50V Z F 2012 R/TP
			C8	0CH3104K946 100000PF 50V Z F 2012 R/TP
			C9	0CH3104K946 100000PF 50V Z F 2012 R/TP
			C10	DCH7106F621 10UF 16V M 3528MM TP(-)
			C11	DCH7106F621 10UF 16V M 3528MM TP(-)
			C12	0CH3104K946 100000PF 50V Z F 2012 R/TP
			C13	0CH3104K946 100000PF 50V Z F 2012 R/TP
			C14	0CK475CC94A "4.7UF 1608 6.3V 80%,-20% F(Y)"
			C15	0CH3104K946 100000PF 50V Z F 2012 R/TP
			C16	DCH7106F621 10UF 16V M 3528MM TP(-)
			C17	DCH7106F621 10UF 16V M 3528MM TP(-)
			C18	0CH3104K946 100000PF 50V Z F 2012 R/TP
			C19	0CH3104K946 100000PF 50V Z F 2012 R/TP
			C20	0CH3104K946 100000PF 50V Z F 2012 R/TP
			C21	0CH3104K946 100000PF 50V Z F 2012 R/TP
			C22	0CH3104K946 100000PF 50V Z F 2012 R/TP
			C23	0CH3104K946 100000PF 50V Z F 2012 R/TP
			C24	0CH3104K946 100000PF 50V Z F 2012 R/TP
			C25	0CH3104K946 100000PF 50V Z F 2012 R/TP
			C26	0CH3104K946 100000PF 50V Z F 2012 R/TP
			C27	0CH3104K946 100000PF 50V Z F 2012 R/TP
			C28	0CH3104K946 100000PF 50V Z F 2012 R/TP
			C29	0CH8106F691 10UF 16V 20% 105STD (CYL) R/
			C30	0CK104CK56A 0.1UF 1608 50V 10% R/TP X7R
			C31	0CH3104K946 100000PF 50V Z F 2012 R/TP
			C33	0CH3104K946 100000PF 50V Z F 2012 R/TP
			C34	DCH7106F621 10UF 16V M 3528MM TP(-)
			C35	0CH3104K946 100000PF 50V Z F 2012 R/TP
			C36	0CH3104K946 100000PF 50V Z F 2012 R/TP
			C37	DCH7106F621 10UF 16V M 3528MM TP(-)
			C38	0CH8337C611 330UF 6.3V 20% 85STD (CYL) R
			C39	0CH3104K946 100000PF 50V Z F 2012 R/TP
			C40	DCH7106F621 10UF 16V M 3528MM TP(-)
			C41	0CK104CK56A 0.1UF 1608 50V 10% R/TP X7R
			C42	0CK103CK51A 0.01UF 1608 50V 10% R/TP B(Y)
			C43	0CH3104K946 100000PF 50V Z F 2012 R/TP
			C44	DCH7106F621 10UF 16V M 3528MM TP(-)
			C45	DCH7106F621 10UF 16V M 3528MM TP(-)
			C46	0CH3105F946 1UF 16V Z F 2012 R/TP
			C47	0CH3104K946 100000PF 50V Z F 2012 R/TP
			C48	0CK104CK56A 0.1UF 1608 50V 10% R/TP X7R
			C49	0CH8477F691 470UF MVK 16V 20% SMD R/TP(S)
			C50	0CH3104K946 100000PF 50V Z F 2012 R/TP
			C51	DCH7106F621 10UF 16V M 3528MM TP(-)
			C52	0CH3104K946 100000PF 50V Z F 2012 R/TP
			C53	0CC470CK41A 47PF 1608 50V 5% R/TP NP0

DATE: 2003. 06. 12.				
*S	*AL	LOC. NO.	PART NO.	DESCRIPTION / SPECIFICATION
			C54	DCH7106F621 10UF 16V M 3528MM TP(-)
			C55	0CH8106F691 10UF 16V 20% 105STD (CYL) R/
			C56	0CH3104K946 100000PF 50V Z F 2012 R/TP
			C57	0CK104CK56A 0.1UF 1608 50V 10% R/TP X7R
			C58	0CZZTAT002E SVP SANYO 6.3V 47UF 20% REEL
			C59	0CH3104K946 100000PF 50V Z F 2012 R/TP
			C60	0CH3104K946 100000PF 50V Z F 2012 R/TP
			C61	0CH3104K946 100000PF 50V Z F 2012 R/TP
			C62	0CH3104K946 100000PF 50V Z F 2012 R/TP
			C63	0CH3104K946 100000PF 50V Z F 2012 R/TP
			C64	0CH3104K946 100000PF 50V Z F 2012 R/TP
			C65	0CH3104K946 100000PF 50V Z F 2012 R/TP
			C66	0CH3104K946 100000PF 50V Z F 2012 R/TP
			C67	0CH3104K946 100000PF 50V Z F 2012 R/TP
			C68	0CH3104K946 100000PF 50V Z F 2012 R/TP
			C69	0CH3104K946 100000PF 50V Z F 2012 R/TP
			C70	DCH7106F621 10UF 16V M 3528MM TP(-)
			C71	0CK104CK56A 0.1UF 1608 50V 10% R/TP X7R
			C72	0CK104CK56A 0.1UF 1608 50V 10% R/TP X7R
			C73	0CE107WH6DC 100UF MVK 25V 20% R/TP(SMD)
			C78	0CH8106F691 10UF 16V 20% 105STD (CYL) R/
			C79	0CH8227D611 220UF 10V 20% 85STD (CYL) R/
			C80	0CH3104K946 100000PF 50V Z F 2012 R/TP
			C81	0CH3104K946 100000PF 50V Z F 2012 R/TP
			C82	0CH3104K946 100000PF 50V Z F 2012 R/TP
			C83	0CH3104K946 100000PF 50V Z F 2012 R/TP
			C84	0CH8106F691 10UF 16V 20% 105STD (CYL) R/
			C85	0CH3104K946 100000PF 50V Z F 2012 R/TP
			C86	0CH3104K946 100000PF 50V Z F 2012 R/TP
			C87	0CH3104K946 100000PF 50V Z F 2012 R/TP
			C88	0CH3104K946 100000PF 50V Z F 2012 R/TP
			C89	0CH3104K946 100000PF 50V Z F 2012 R/TP
			C90	0CH3104K946 100000PF 50V Z F 2012 R/TP
			C91	0CH3104K946 100000PF 50V Z F 2012 R/TP
			C92	0CH3104K946 100000PF 50V Z F 2012 R/TP
			C93	0CH3104K946 100000PF 50V Z F 2012 R/TP
			C94	0CH3104K946 100000PF 50V Z F 2012 R/TP
			C95	0CH3104K946 100000PF 50V Z F 2012 R/TP
			C96	0CK105CF94A "1UF 1608 16V 80%,-20% R/TP F"
			C97	0CH3104K946 100000PF 50V Z F 2012 R/TP
			C98	0CC330CK41A 33PF 1608 50V 5% R/TP NP0
			C99	0CK104CK56A 0.1UF 1608 50V 10% R/TP X7R
			C100	0CK104CK56A 0.1UF 1608 50V 10% R/TP X7R
			C101	0CK473CK56A 47000PF 1608 50V 10% R/TP X7
			C102	0CK473CK56A 47000PF 1608 50V 10% R/TP X7
			C103	0CC102CK41A 1000PF 1608 50V 5% R/TP NP0
			C104	0CK473CK56A 47000PF 1608 50V 10% R/TP X7
			C105	0CK473CK56A 47000PF 1608 50V 10% R/TP X7
			C106	0CK473CK56A 47000PF 1608 50V 10% R/TP X7
			C107	0CC102CK41A 1000PF 1608 50V 5% R/TP NP0
			C108	0CK473CK56A 47000PF 1608 50V 10% R/TP X7
			C109	0CK392CK56A 3900PF 1608 50V 10% R/TP X7R
			C110	0CK393CK56A 3900PF 1608 50V 10% R/TP X7
			C111	0CK104CK56A 0.1UF 1608 50V 10% R/TP X7R

DATE: 2003. 06. 12.				
*S	*AL	LOC. NO.	PART NO.	DESCRIPTION / SPECIFICATION
		C112	0CH3104K946	10000PF 50V Z F 2012 R/TP
		C113	0CK823CK56A	82NF 1608 50V 10% R/TP X7R
		C114	0CH3104K946	10000PF 50V Z F 2012 R/TP
		C115	0CH3104K946	10000PF 50V Z F 2012 R/TP
		C116	0CH3104K946	10000PF 50V Z F 2012 R/TP
		C117	0CK822CK56A	8200PF 1608 50V 10% X7R R/TP
		C118	0CK473CK56A	47000PF 1608 50V 10% R/TP X7
		C119	0CK473CK56A	47000PF 1608 50V 10% R/TP X7
		C120	0CK473CK56A	47000PF 1608 50V 10% R/TP X7
		C121	0CC102CK41A	1000PF 1608 50V 5% R/TP NP0
		C122	0CK104CK56A	0.1UF 1608 50V 10% R/TP X7R
		C123	0CK104CK56A	0.1UF 1608 50V 10% R/TP X7R
		C125	0CH3104K946	10000PF 50V Z F 2012 R/TP
		C126	0CC102CK41A	1000PF 1608 50V 5% R/TP NP0
		C127	0CH3104K946	10000PF 50V Z F 2012 R/TP
		C128	0CH3104K946	10000PF 50V Z F 2012 R/TP
		C129	0CH3104K946	10000PF 50V Z F 2012 R/TP
		C130	0CH3104K946	10000PF 50V Z F 2012 R/TP
		C131	0CH3104K946	10000PF 50V Z F 2012 R/TP
		C132	0CH3104K946	10000PF 50V Z F 2012 R/TP
		C133	0CH3104K946	10000PF 50V Z F 2012 R/TP
		C134	0CK105CF94A	"1UF 1608 16V 80%,-20% R/TP F"
		C135	0CC102CK41A	1000PF 1608 50V 5% R/TP NP0
		C145	0CK104CK56A	0.1UF 1608 50V 10% R/TP X7R
		C149	0CC101CK41A	100PF 1608 50V 5% R/TP NP0
		C150	0CC101CK41A	100PF 1608 50V 5% R/TP NP0
		C160	0CH3104K946	10000PF 50V Z F 2012 R/TP
		C161	0CK104CK56A	0.1UF 1608 50V 10% R/TP X7R
		C162	DCH7106F621	10UF 16V M 3528MM TP(-)
		C163	DCH7106F621	10UF 16V M 3528MM TP(-)
		C166	0CK475CC94A	"4.7UF 1608 6.3V 80%,-20% F(Y)"
		C167	0CK104CK56A	0.1UF 1608 50V 10% R/TP X7R
		C168	DCH7106F621	10UF 16V M 3528MM TP(-)
		C169	DCH7106F621	10UF 16V M 3528MM TP(-)
		C170	0CH3104K946	10000PF 50V Z F 2012 R/TP
		C171	0CH3104K946	10000PF 50V Z F 2012 R/TP
		C172	0CH3104K946	10000PF 50V Z F 2012 R/TP
		C173	0CH3104K946	10000PF 50V Z F 2012 R/TP
		C174	0CH3104K946	10000PF 50V Z F 2012 R/TP
		C175	0CH3104K946	10000PF 50V Z F 2012 R/TP
		C176	0CH3104K946	10000PF 50V Z F 2012 R/TP
		C177	0CH3104K946	10000PF 50V Z F 2012 R/TP
		C178	0CH3104K946	10000PF 50V Z F 2012 R/TP
		C179	0CH3104K946	10000PF 50V Z F 2012 R/TP
		C180	0CH3104K946	10000PF 50V Z F 2012 R/TP
		C181	0CH3104K946	10000PF 50V Z F 2012 R/TP
		C182	0CH3104K946	10000PF 50V Z F 2012 R/TP
		C183	0CH3104K946	10000PF 50V Z F 2012 R/TP
		C227	0CK104CK56A	0.1UF 1608 50V 10% R/TP X7R
		C234	0CK104CK56A	0.1UF 1608 50V 10% R/TP X7R
		C257	0CH3104K946	10000PF 50V Z F 2012 R/TP
		C260	0CK104CK56A	0.1UF 1608 50V 10% R/TP X7R
		C262	0CH8106F691	10UF 16V 20% 105STD (CYL) R/
		C263	0CH3104K946	10000PF 50V Z F 2012 R/TP
		C264	0CC330CK41A	33PF 1608 50V 5% R/TP NP0
		C265	0CC330CK41A	33PF 1608 50V 5% R/TP NP0
		C266	0CH8106F691	10UF 16V 20% 105STD (CYL) R/
		C267	0CK104CK56A	0.1UF 1608 50V 10% R/TP X7R
		C280	0CK104CK56A	0.1UF 1608 50V 10% R/TP X7R
		C298	0CK104CK56A	0.1UF 1608 50V 10% R/TP X7R
		C299	0CK104CK56A	0.1UF 1608 50V 10% R/TP X7R
		C300	0CK104CK56A	0.1UF 1608 50V 10% R/TP X7R

DATE: 2003. 06. 12.				
*S	*AL	LOC. NO.	PART NO.	DESCRIPTION / SPECIFICATION
		C302	0CZZTAT002D	SVP SANYO 10V 270UF M REEL O
		C316	0CZZTAT002D	SVP SANYO 10V 270UF M REEL O
		C317	0CZZTAT002E	SVP SANYO 6.3V 47UF 20% REEL
		C319	0CH8227D611	220UF 10V 20% 85STD (CYL) R/
		C320	0CE107WH6DC	100UF MVK 25V 20% R/TP(SMD)
		C322	0CK104CK56A	0.1UF 1608 50V 10% R/TP X7R
		C323	0CH3104K946	10000PF 50V Z F 2012 R/TP
		C328	0CK103CK51A	0.01UF 1608 50V 10% R/TP B(Y
		C329	0CH3103K516	10000PF 50V 10% B(Y5P) 2012
		C358	0CC330CK41A	33PF 1608 50V 5% R/TP NP0
		C361	0CC330CK41A	33PF 1608 50V 5% R/TP NP0
		C371	0CK104CK56A	0.1UF 1608 50V 10% R/TP X7R
		C388	0CH8106F691	10UF 16V 20% 105STD (CYL) R/
		C391	0CZZTAT002E	SVP SANYO 6.3V 47UF 20% REEL
		C394	0CH8106F691	10UF 16V 20% 105STD (CYL) R/
		C405	0CK104CK56A	0.1UF 1608 50V 10% R/TP X7R
		C413	0CH8337C611	330UF 6.3V 20% 85STD (CYL) R
		C414	0CH3104K946	10000PF 50V Z F 2012 R/TP
		C488	0CH3103K516	10000PF 50V 10% B(Y5P) 2012
		C489	0CH8337C611	330UF 6.3V 20% 85STD (CYL) R
		C492	0CK104CK56A	0.1UF 1608 50V 10% R/TP X7R
		C519	0CH6150K416	15PF 50V J NP0 2012 R/TP
		C520	0CC150CK41A	15PF 1608 50V 5% R/TP NP0
		C521	0CC150CK41A	15PF 1608 50V 5% R/TP NP0
		C522	0CC150CK41A	15PF 1608 50V 5% R/TP NP0
		C525	0CC470CK41A	47PF 1608 50V 5% R/TP NP0
		C533	0CZZTAT002D	SVP SANYO 10V 270UF M REEL O
		C534	DCH7106F621	10UF 16V M 3528MM TP(-)
		C535	DCH7106F621	10UF 16V M 3528MM TP(-)
		C536	0CH3104K946	10000PF 50V Z F 2012 R/TP
		C537	0CH3104K946	10000PF 50V Z F 2012 R/TP
		C538	0CH3104K946	10000PF 50V Z F 2012 R/TP
		C539	0CH3104K946	10000PF 50V Z F 2012 R/TP
		C540	0CH3104K946	10000PF 50V Z F 2012 R/TP
		C541	0CH3104K946	10000PF 50V Z F 2012 R/TP
		C542	0CH3104K946	10000PF 50V Z F 2012 R/TP
		C545	0CH3104K946	10000PF 50V Z F 2012 R/TP
		C548	0CH3104K946	10000PF 50V Z F 2012 R/TP
		C549	0CH3104K946	10000PF 50V Z F 2012 R/TP
		C550	DCH7106F621	10UF 16V M 3528MM TP(-)
		C551	DCH7106F621	10UF 16V M 3528MM TP(-)
		C552	0CH3104K946	10000PF 50V Z F 2012 R/TP
		C553	0CH3104K946	10000PF 50V Z F 2012 R/TP
		C554	0CH3104K946	10000PF 50V Z F 2012 R/TP
		C555	0CH3104K946	10000PF 50V Z F 2012 R/TP
		C556	0CH3104K946	10000PF 50V Z F 2012 R/TP
		C557	0CH3104K946	10000PF 50V Z F 2012 R/TP
		C558	0CH3104K946	10000PF 50V Z F 2012 R/TP
		C559	0CH3104K946	10000PF 50V Z F 2012 R/TP
		C560	0CH3104K946	10000PF 50V Z F 2012 R/TP
		C561	0CH3104K946	10000PF 50V Z F 2012 R/TP
		C562	0CH3104K946	10000PF 50V Z F 2012 R/TP
		C563	0CH3104K946	10000PF 50V Z F 2012 R/TP
		C565	0CH3104K946	10000PF 50V Z F 2012 R/TP
		C569	DCH7106F621	10UF 16V M 3528MM TP(-)
		C571	0CH3104K946	10000PF 50V Z F 2012 R/TP
		C573	0CH3104K946	10000PF 50V Z F 2012 R/TP
		C574	0CH3104K946	10000PF 50V Z F 2012 R/TP
		C575	0CH3104K946	10000PF 50V Z F 2012 R/TP
		C576	0CH3104K946	10000PF 50V Z F 2012 R/TP
		C577	0CH3104K946	10000PF 50V Z F 2012 R/TP
		C579	0CH3104K946	10000PF 50V Z F 2012 R/TP

DATE: 2003. 06. 12.				
*S	*AL	LOC. NO.	PART NO.	DESCRIPTION / SPECIFICATION
		C580	0CH3104K946	10000PF 50V Z F 2012 R/TP
		C581	0CH3104K946	10000PF 50V Z F 2012 R/TP
		C582	0CH3104K946	10000PF 50V Z F 2012 R/TP
		C583	0CH3104K946	10000PF 50V Z F 2012 R/TP
		C584	0CH3104K946	10000PF 50V Z F 2012 R/TP
		C585	0CH3104K946	10000PF 50V Z F 2012 R/TP
		C586	0CH3104K946	10000PF 50V Z F 2012 R/TP
		C587	0CH3104K946	10000PF 50V Z F 2012 R/TP
		C588	0CH3104K946	10000PF 50V Z F 2012 R/TP
		C589	0CH3104K946	10000PF 50V Z F 2012 R/TP
		C590	0CH3104K946	10000PF 50V Z F 2012 R/TP
		C591	0CH3104K946	10000PF 50V Z F 2012 R/TP
		C592	0CH3104K946	10000PF 50V Z F 2012 R/TP
		C593	0CH3104K946	10000PF 50V Z F 2012 R/TP
		C594	0CH3104K946	10000PF 50V Z F 2012 R/TP
		C595	0CK104CK56A	0.1UF 1608 50V 10% R/TP X7R
		C596	0CH8106F691	10UF 16V 20% 105STD (CYL) R/
		C614	0CK104CK56A	0.1UF 1608 50V 10% R/TP X7R
DIODEs				
		D1	0DS226009AA	KDS226 TP KEC SOT-23 80V 30
		D2	0DS226009AA	KDS226 TP KEC SOT-23 80V 30
		D3	0DS226009AA	KDS226 TP KEC SOT-23 80V 30
		D4	0DS226009AA	KDS226 TP KEC SOT-23 80V 30
		D5	0DS226009AA	KDS226 TP KEC SOT-23 80V 30
		D6	0DS226009AA	KDS226 TP KEC SOT-23 80V 30
		D7	0DS226009AA	KDS226 TP KEC SOT-23 80V 30
		D8	0DS226009AA	KDS226 TP KEC SOT-23 80V 30
		D9	0DS226009AA	KDS226 TP KEC SOT-23 80V 30
		D10	0DS226009AA	KDS226 TP KEC SOT-23 80V 30
		D11	0DS226009AA	KDS226 TP KEC SOT-23 80V 30
		D12	0DS226009AA	KDS226 TP KEC SOT-23 80V 30
		D13	0DS226009AA	KDS226 TP KEC SOT-23 80V 30
		D14	0DS226009AA	KDS226 TP KEC SOT-23 80V 30
		D15	0DS301109AA	MMBD301LT1 TP MOTOROLA SOT23
		D16	0DS226009AA	KDS226 TP KEC SOT-23 80V 30
		D17	0DS226009AA	KDS226 TP KEC SOT-23 80V 30
		D18	0DS226009AA	KDS226 TP KEC SOT-23 80V 30
		D21	0DS226009AA	KDS226 TP KEC SOT-23 80V 30
		D22	0DS226009AA	KDS226 TP KEC SOT-23 80V 30
		D23	0DS226009AA	KDS226 TP KEC SOT-23 80V 30
		D24	0DS226009AA	KDS226 TP KEC SOT-23 80V 30
		D26	0DS226009AA	KDS226 TP KEC SOT-23 80V 30
		D27	0DS301109AA	MMBD301LT1 TP MOTOROLA SOT23
		D28	0DS226009AA	KDS226 TP KEC SOT-23 80V 30
		D29	0DS301109AA	MMBD301LT1 TP MOTOROLA SOT23
		D30	0DS226009AA	KDS226 TP KEC SOT-23 80V 30
		D31	0DS226009AA	KDS226 TP KEC SOT-23 80V 30
		D32	0DS301109AA	MMBD301LT1 TP MOTOROLA SOT23
		D33	0DS226009AA	KDS226 TP KEC SOT-23 80V 30
		D34	0DS226009AA	KDS226 TP KEC SOT-23 80V 30
		D35	0DS226009AA	KDS226 TP KEC SOT-23 80V 30
		D36	0DS226009AA	KDS226 TP KEC SOT-23 80V 30
		D37	0DS226009AA	KDS226 TP KEC SOT-23 80V 30
		D38	0DS226009AA	KDS226 TP KEC SOT-23 80V 30
		D39	0DS226009AA	KDS226 TP KEC SOT-23 80V 30
		D40	0DS226009AA	KDS226 TP KEC SOT-23 80V 30
		D42	0DS301109AA	MMBD301LT1 TP MOTOROLA SOT23
		D48	0DS301109AA	MMBD301LT1 TP MOTOROLA SOT23
		D49	0DS301109AA	MMBD301LT1 TP MOTOROLA SOT23
		D50	0DS301109AA	MMBD301LT1 TP MOTOROLA SOT23

DATE: 2003. 06. 12.				
*S	*AL	LOC. NO.	PART NO.	DESCRIPTION / SPECIFICATION
		D53	0DR340009AA	MBRS340 TP FAIRCHILD NON 40V
		ZD1	0DZ560009DA	UDZ S 5.6B TP ROHM-K SOD323
		ZD2	0DZ560009DA	UDZ S 5.6B TP ROHM-K SOD323
		ZD3	0DZ560009DA	UDZ S 5.6B TP ROHM-K SOD323
		ZD4	0DZ560009DA	UDZ S 5.6B TP ROHM-K SOD323
		ZD5	0DZ560009DA	UDZ S 5.6B TP ROHM-K SOD323
		ZD6	0DZ560009DA	UDZ S 5.6B TP ROHM-K SOD323
		ZD7	0DZ560009DA	UDZ S 5.6B TP ROHM-K SOD323
		ZD8	0DZ560009DA	UDZ S 5.6B TP ROHM-K SOD323
		ZD9	0DZ560009DA	UDZ S 5.6B TP ROHM-K SOD323
		ZD10	0DZ560009DA	UDZ S 5.6B TP ROHM-K SOD323
		ZD11	0DZ560009DA	UDZ S 5.6B TP ROHM-K SOD323
		ZD12	0DZ560009DA	UDZ S 5.6B TP ROHM-K SOD323
		ZD13	0DZ560009DA	UDZ S 5.6B TP ROHM-K SOD323
		ZD14	0DZ560009DA	UDZ S 5.6B TP ROHM-K SOD323
		ZD15	0DZ560009DA	UDZ S 5.6B TP ROHM-K SOD323
		ZD16	0DZ560009DA	UDZ S 5.6B TP ROHM-K SOD323
		ZD17	0DZ560009DA	UDZ S 5.6B TP ROHM-K SOD323
		ZD18	0DZ560009DA	UDZ S 5.6B TP ROHM-K SOD323
		ZD19	0DZ560009DA	UDZ S 5.6B TP ROHM-K SOD323
		ZD20	0DZ560009DA	UDZ S 5.6B TP ROHM-K SOD323
		ZD24	0DZ560009DA	UDZ S 5.6B TP ROHM-K SOD323
		ZD25	0DZ560009DA	UDZ S 5.6B TP ROHM-K SOD323
		ZD30	0DZ360009EB	UDZ 3.6B TP ROHM SOD323 200M
ICs				
		U2	0IS5161000B	SIL161BCT100 SILICON IMAGE 1
		U3	0IPRPN001A	"JLC1562BFEL ON SEMI 16P,EIAJ"
		U4	0IPRPN001A	"JLC1562BFEL ON SEMI 16P,EIAJ"
		U5	0IRH033200A	BA033FP-E2 MOLD-3 TP REGULAT
		U7	0ISTLFA091A	"74ALVC162839 FAIRCHILD 56P,T"
		U8	0IMO741420B	"MC74HCT14ADR2 14P,SOIC TP LE"
		U9	0ISS160000A	SI1160 100 TQFP ST PANELLINK
		U10	0ISTLON026A	"MC74VHCT126ADR2 ON SEMI 14P,"
		U11	0ISTLON026A	"MC74VHCT126ADR2 ON SEMI 14P,"
		U12	0IPRPAD011A	AD9888KS-205 ANALOG DEVICE 1
		U13	0IFA111733A	RC1117S-33 SOT-223 TP 1A 3.3
		U14	0IPRPAD008C	AD9883AKST-140 ANALOG DEVICE
		U15	0ISTLFA091A	"74ALVC162839 FAIRCHILD 56P,T"
		U16	0ISTLFA091A	"74ALVC162839 FAIRCHILD 56P,T"
		U17	0IS5161000B	SIL161BCT100 SILICON IMAGE 1
		U26	0IMMRCX003A	"EM638325TS-6 ETRON 86P,TOSPI"
		U27	0IMMRCX003A	"EM638325TS-6 ETRON 86P,TOSPI"
		U28	0IZZTSZ265B	MACRONIX 32 PIN PLCC ST FLAS
		U34	0ISS524202B	S524A40X21(SCT0) SAMSUNG ELE
		U40	0TFIR80009A	INTERNATIONAL RECTIFIER IRF7
		U41	0INS810343A	LM810M3-4.38 3PIN SOT23-3 R/
		U42	0IZZTSZ264B	MACRONIX 32 PIN PLCC ST FLAS
		U43	0IMCRPH025A	"P89C662HBA PHILIPS 44P,PLCC"
		U44	0IMMRSS040C	S524A60X51(SCT0) SAMSUNG ELE
		U46	0IFA111733A	RC1117S-33 SOT-223 TP 1A 3.3
		U49	0ISS524202B	S524A40X21(SCT0) SAMSUNG ELE
		U50	0ISS524202B	S524A40X21(SCT0) SAMSUNG ELE
		U53	0ISTLPH045A	"74HCT573 D PHILIPS 20P,SO R/"
		U54	0IRH033200A	BA033FP-E2 MOLD-3 TP REGULAT
		U201	0IPRPMR003A	"MX88L285AC-U MACRONIX 388P,P"
COIL & COREs				
		L1	6210TCE001S	HU-1M2012-121 CERATECH 2012M
		L2	6210TCE001S	HU-1M2012-121 CERATECH 2012M

DATE: 2003. 06. 12.				
*S	*AL	LOC. NO.	PART NO.	DESCRIPTION / SPECIFICATION
		L3	6210TCE001D	HB-1M2012-601JT CERATECH 2012
		L4	6210TCE001S	HU-1M2012-121 CERATECH 2012M
		L5	6210TCE001R	HB-1S2012-400JT CERATECH 201
		L6	6210TCE001S	HU-1M2012-121 CERATECH 2012M
		L7	6210TCE001S	HU-1M2012-121 CERATECH 2012M
		L8	6210TCE001S	HU-1M2012-121 CERATECH 2012M
		L9	6210TCE001S	HU-1M2012-121 CERATECH 2012M
		L10	6210TCE001R	HB-1S2012-400JT CERATECH 201
		L11	6210TCE001G	HH-1M3216-501 CERATEC 3216MM
		L12	6210TCE001S	HU-1M2012-121 CERATECH 2012M
		L13	6210TCE001S	HU-1M2012-121 CERATECH 2012M
		L14	6210TCE001A	HB-1S2012-080JT CERATEC 2012
		L15	6210TCE001S	HU-1M2012-121 CERATECH 2012M
		L16	6210TCE001S	HU-1M2012-121 CERATECH 2012M
		L17	6210TCE001S	HU-1M2012-121 CERATECH 2012M
		L18	6210TCE001S	HU-1M2012-121 CERATECH 2012M
		L19	6210TCE001S	HU-1M2012-121 CERATECH 2012M
		L20	6210TCE001D	HB-1M2012-601JT CERATEC 2012
		L21	6210TCE001S	HU-1M2012-121 CERATECH 2012M
		L22	6210TCE001G	HH-1M3216-501 CERATEC 3216MM
		L23	6210TCE001S	HU-1M2012-121 CERATECH 2012M
		L24	6210TCE001S	HU-1M2012-121 CERATECH 2012M
		L26	6210TCE001S	HU-1M2012-121 CERATECH 2012M
		L28	6210TCE001R	HB-1S2012-400JT CERATECH 201
		L29	6210TCE001S	HU-1M2012-121 CERATECH 2012M
		L30	6210TCE001S	HU-1M2012-121 CERATECH 2012M
		L33	6210TCE001P	HB-1S2012-121JT CERATECH 201
		L34	6210TCE001P	HB-1S2012-121JT CERATECH 201
		L35	6210TCE001P	HB-1S2012-121JT CERATECH 201
		L36	6210TCE001P	HB-1S2012-121JT CERATECH 201
		L37	6210TCE001P	HB-1S2012-121JT CERATECH 201
		L38	6210TCE001P	HB-1S2012-121JT CERATECH 201
		L39	6210TCE001S	HU-1M2012-121 CERATECH 2012M
		L40	6210TCE001D	HB-1M2012-601JT CERATEC 2012
		L41	6210TCE001S	HU-1M2012-121 CERATECH 2012M
		L65	6210TCE001S	HU-1M2012-121 CERATECH 2012M
		L66	6210TCE001S	HU-1M2012-121 CERATECH 2012M
		L67	6210TCE001S	HU-1M2012-121 CERATECH 2012M
		L83	6210TCE001S	HU-1M2012-121 CERATECH 2012M
		L93	6210TCE001R	HB-1S2012-400JT CERATECH 201
		L94	6210TCE001S	HU-1M2012-121 CERATECH 2012M
		L95	6210TCE001S	HU-1M2012-121 CERATECH 2012M
		L96	6210TCE001S	HU-1M2012-121 CERATECH 2012M
		L97	6210TCE001S	HU-1M2012-121 CERATECH 2012M
		L98	6210TCE001S	HU-1M2012-121 CERATECH 2012M
		L99	6210TCE001S	HU-1M2012-121 CERATECH 2012M
TRANSISTOR				
		Q1	0TR102009AJ	KRC102S NPN SOT-23 TP KEC
		Q2	0TR102009AJ	KRC102S NPN SOT-23 TP KEC
		Q3	0TR102009AJ	KRC102S NPN SOT-23 TP KEC
		Q4	0TR102009AJ	KRC102S NPN SOT-23 TP KEC
		Q13	0TR162309CA	KSC1623 TP SAMSUNG SOT23 NP
RESISTORS				
		R1	0RJ0222D677	22 OHM 1/10 W 5% 1608 R/TP
		R2	0RJ0222D677	22 OHM 1/10 W 5% 1608 R/TP
		R4	0RJ1000D677	100 OHM 1/10 W 5% 1608 R/TP
		R5	0RJ2000D677	200 OHM 1/10 W 5% 1608 R/TP
		R6	0RJ1002D677	10K OHM 1/10 W 5% 1608 R/TP

DATE: 2003. 06. 12.				
*S	*AL	LOC. NO.	PART NO.	DESCRIPTION / SPECIFICATION
		R7	0RH0752D622	75 1/10W 5 D.R/TP
		R8	0RH0752D622	75 1/10W 5 D.R/TP
		R9	0RH0752D622	75 1/10W 5 D.R/TP
		R10	0RJ0000D677	0 OHM 1/10 W 5% 1608 R/TP
		R11	0RJ3900D677	390 OHM 1/10 W 5% 1608 R/TP
		R12	0RJ1002D677	10K OHM 1/10 W 5% 1608 R/TP
		R15	0RJ1001D677	1K OHM 1/10 W 5% 1608 R/TP
		R14	0RJ1002D677	10K OHM 1/10 W 5% 1608 R/TP
		R16	0RJ2201D677	2200 OHM 1/10 W 5% 1608 R/TP
		R18	0RJ1001D677	1K OHM 1/10 W 5% 1608 R/TP
		R19	0RJ0222D677	22 OHM 1/10 W 5% 1608 R/TP
		R20	0RJ0222D677	22 OHM 1/10 W 5% 1608 R/TP
		R21	0RJ0222D677	22 OHM 1/10 W 5% 1608 R/TP
		R22	0RJ0000D677	0 OHM 1/10 W 5% 1608 R/TP
		R23	0RJ1001D677	1K OHM 1/10 W 5% 1608 R/TP
		R24	0RH0000D622	0 1/10W P-TYPE TAPPING
		R25	0RJ1002D677	10K OHM 1/10 W 5% 1608 R/TP
		R26	0RJ0000D677	0 OHM 1/10 W 5% 1608 R/TP
		R28	0RJ3301D677	3.3K OHM 1/10 W 5% 1608 R/TP
		R29	0RJ4701D677	4.7K OHM 1/10 W 5% 1608 R/TP
		R30	0RJ2201D677	2200 OHM 1/10 W 5% 1608 R/TP
		R31	0RJ1001D677	1K OHM 1/10 W 5% 1608 R/TP
		R32	0RJ0222D677	22 OHM 1/10 W 5% 1608 R/TP
		R33	0RJ0222D677	22 OHM 1/10 W 5% 1608 R/TP
		R34	0RJ0222D677	22 OHM 1/10 W 5% 1608 R/TP
		R35	0RJ2201D677	2200 OHM 1/10 W 5% 1608 R/TP
		R36	0RJ0000D677	0 OHM 1/10 W 5% 1608 R/TP
		R39	0RJ0222D677	22 OHM 1/10 W 5% 1608 R/TP
		R40	0RJ0222D677	22 OHM 1/10 W 5% 1608 R/TP
		R41	0RJ3300D677	330 OHM 1/10 W 5% 1608 R/TP
		R42	0RJ1002D677	10K OHM 1/10 W 5% 1608 R/TP
		R43	0RJ1002D677	10K OHM 1/10 W 5% 1608 R/TP
		R44	0RJ0000D677	0 OHM 1/10 W 5% 1608 R/TP
		R45	0RJ1002D677	10K OHM 1/10 W 5% 1608 R/TP
		R46	0RJ1000D677	100 OHM 1/10 W 5% 1608 R/TP
		R48	0RJ1002D677	10K OHM 1/10 W 5% 1608 R/TP
		R49	0RJ0000D677	0 OHM 1/10 W 5% 1608 R/TP
		R50	0RJ0000D677	0 OHM 1/10 W 5% 1608 R/TP
		R51	0RJ0000D677	0 OHM 1/10 W 5% 1608 R/TP
		R52	0RJ1000D677	100 OHM 1/10 W 5% 1608 R/TP
		R53	0RH0000D622	0 1/10W P-TYPE TAPPING
		R54	0RH0000D622	0 1/10W P-TYPE TAPPING
		R55	0RH0000D622	0 1/10W P-TYPE TAPPING
		R56	0RJ0000D677	0 OHM 1/10 W 5% 1608 R/TP
		R57	0RJ1000D677	100 OHM 1/10 W 5% 1608 R/TP
		R58	0RJ1000D677	100 OHM 1/10 W 5% 1608 R/TP
		R59	0RJ1000D677	100 OHM 1/10 W 5% 1608 R/TP
		R60	0RJ2000D677	200 OHM 1/10 W 5% 1608 R/TP
		R61	0RJ1000D677	100 OHM 1/10 W 5% 1608 R/TP
		R62	0RJ1002D677	10K OHM 1/10 W 5% 1608 R/TP
		R63	0RJ1000D677	100 OHM 1/10 W 5% 1608 R/TP
		R66	0RH0000D622	0 1/10W P-TYPE TAPPING
		R67	0RH4701D622	4.7K 1/10W 5 D.R/TP
		R68	0RH4701D622	4.7K 1/10W 5 D.R/TP
		R69	0RJ4703D677	470K OHM 1/10 W 5% 1608 R/TP
		R70	0RJ0752D477	75 OHM 1/10 W 1% 1608 R/TP
		R71	0RJ0752D477	75 OHM 1/10 W 1% 1608 R/TP
		R72	0RJ0752D477	75 OHM 1/10 W 1% 1608 R/TP
		R74	0RJ1002D677	10K OHM 1/10 W 5% 1608 R/TP
		R75	0RJ0222D677	22 OHM 1/10 W 5% 1608 R/TP
		R76	0RJ0222D677	22 OHM 1/10 W 5% 1608 R/TP
		R77	0RJ0222D677	22 OHM 1/10 W 5% 1608 R/TP

DATE: 2003. 06. 12.				
*S	*AL	LOC. NO.	PART NO.	DESCRIPTION / SPECIFICATION
		R78	0RJ0222D677	22 OHM 1/10 W 5% 1608 R/TP
		R79	0RJ1001D677	1K OHM 1/10 W 5% 1608 R/TP
		R80	0RJ3301D677	3.3K OHM 1/10 W 5% 1608 R/TP
		R82	0RJ0222D677	22 OHM 1/10 W 5% 1608 R/TP
		R83	0RJ0222D677	22 OHM 1/10 W 5% 1608 R/TP
		R85	0RJ2701D677	2.7K OHM 1/10 W 5% 1608 R/TP
		R86	0RH0222D622	22 OHM 1 / 10 W 2012 5.00% D
		R87	0RH0222D622	22 OHM 1 / 10 W 2012 5.00% D
		R88	0RJ1001D677	1K OHM 1/10 W 5% 1608 R/TP
		R89	0RJ2201D677	2200 OHM 1/10 W 5% 1608 R/TP
		R90	0RJ2201D677	2200 OHM 1/10 W 5% 1608 R/TP
		R91	0RJ1001D677	1K OHM 1/10 W 5% 1608 R/TP
		R92	0RH0000D622	0 1/10W P-TYPE TAPPING
		R93	0RJ0222D677	22 OHM 1/10 W 5% 1608 R/TP
		R94	0RH0000D622	0 1/10W P-TYPE TAPPING
		R95	0RJ0222D677	22 OHM 1/10 W 5% 1608 R/TP
		R96	0RJ0222D677	22 OHM 1/10 W 5% 1608 R/TP
		R97	0RJ1000D677	100 OHM 1/10 W 5% 1608 R/TP
		R98	0RH1000D622	100 1/10W 5 D.R/TP
		R99	0RJ0000D677	0 OHM 1/10 W 5% 1608 R/TP
		R100	0RJ1000D677	100 OHM 1/10 W 5% 1608 R/TP
		R102	0RJ1002D677	10K OHM 1/10 W 5% 1608 R/TP
		R103	0RJ0222D677	22 OHM 1/10 W 5% 1608 R/TP
		R104	0RJ0222D677	22 OHM 1/10 W 5% 1608 R/TP
		R105	0RJ0000D677	0 OHM 1/10 W 5% 1608 R/TP
		R106	0RJ0222D677	22 OHM 1/10 W 5% 1608 R/TP
		R107	0RJ1000D677	100 OHM 1/10 W 5% 1608 R/TP
		R109	0RJ1000D677	100 OHM 1/10 W 5% 1608 R/TP
		R110	0RJ0000D677	0 OHM 1/10 W 5% 1608 R/TP
		R111	0RJ0000D677	0 OHM 1/10 W 5% 1608 R/TP
		R112	0RJ0000D677	0 OHM 1/10 W 5% 1608 R/TP
		R113	0RJ0000D677	0 OHM 1/10 W 5% 1608 R/TP
		R114	0RJ0000D677	0 OHM 1/10 W 5% 1608 R/TP
		R115	0RJ3900D677	390 OHM 1/10 W 5% 1608 R/TP
		R116	0RJ1002D677	10K OHM 1/10 W 5% 1608 R/TP
		R118	0RJ1002D677	10K OHM 1/10 W 5% 1608 R/TP
		R119	0RJ1002D677	10K OHM 1/10 W 5% 1608 R/TP
		R120	0RJ0000D677	0 OHM 1/10 W 5% 1608 R/TP
		R121	0RJ0222D677	22 OHM 1/10 W 5% 1608 R/TP
		R122	0RJ1001D677	1K OHM 1/10 W 5% 1608 R/TP
		R123	0RJ0222D677	22 OHM 1/10 W 5% 1608 R/TP
		R124	0RJ0222D677	22 OHM 1/10 W 5% 1608 R/TP
		R125	0RJ0222D677	22 OHM 1/10 W 5% 1608 R/TP
		R126	0RJ0000D677	0 OHM 1/10 W 5% 1608 R/TP
		R127	0RJ1001D677	1K OHM 1/10 W 5% 1608 R/TP
		R129	0RJ1002D677	10K OHM 1/10 W 5% 1608 R/TP
		R130	0RJ1000D677	100 OHM 1/10 W 5% 1608 R/TP
		R132	0RJ0222D677	22 OHM 1/10 W 5% 1608 R/TP
		R133	0RJ0000D677	0 OHM 1/10 W 5% 1608 R/TP
		R134	0RJ0000D677	0 OHM 1/10 W 5% 1608 R/TP
		R135	0RJ0000D677	0 OHM 1/10 W 5% 1608 R/TP
		R136	0RJ0000D677	0 OHM 1/10 W 5% 1608 R/TP
		R140	0RJ3300D677	330 OHM 1/10 W 5% 1608 R/TP
		R141	0RJ3300D677	330 OHM 1/10 W 5% 1608 R/TP
		R142	0RJ3300D677	330 OHM 1/10 W 5% 1608 R/TP
		R143	0RJ3300D677	330 OHM 1/10 W 5% 1608 R/TP
		R144	0RJ1001D677	1K OHM 1/10 W 5% 1608 R/TP
		R145	0RJ0000D677	0 OHM 1/10 W 5% 1608 R/TP
		R148	0RJ0102D677	10 OHM 1/10 W 5% 1608 R/TP
		R149	0RJ0102D677	10 OHM 1/10 W 5% 1608 R/TP
		R150	0RJ0102D677	10 OHM 1/10 W 5% 1608 R/TP
		R153	0RJ0102D677	10 OHM 1/10 W 5% 1608 R/TP

DATE: 2003. 06. 12.				
*S	*AL	LOC. NO.	PART NO.	DESCRIPTION / SPECIFICATION
		R154	0RJ0102D677	10 OHM 1/10 W 5% 1608 R/TP
		R155	0RJ0102D677	10 OHM 1/10 W 5% 1608 R/TP
		R156	0RJ0102D677	10 OHM 1/10 W 5% 1608 R/TP
		R157	0RJ0102D677	10 OHM 1/10 W 5% 1608 R/TP
		R175	0RJ0752D477	75 OHM 1/10 W 1% 1608 R/TP
		R179	0RJ1000D677	100 OHM 1/10 W 5% 1608 R/TP
		R184	0RJ1000D677	100 OHM 1/10 W 5% 1608 R/TP
		R185	0RJ0000D677	0 OHM 1/10 W 5% 1608 R/TP
		R186	0RJ0000D677	0 OHM 1/10 W 5% 1608 R/TP
		R188	0RJ0000D677	0 OHM 1/10 W 5% 1608 R/TP
		R198	0RJ8200D677	820 OHM 1/10 W 5% 1608 R/TP
		R199	0RJ0222D677	22 OHM 1/10 W 5% 1608 R/TP
		R200	0RJ0222D677	22 OHM 1/10 W 5% 1608 R/TP
		R224	0RJ4701D677	4.7K OHM 1/10 W 5% 1608 R/TP
		R225	0RJ2202D677	22K OHM 1/10 W 5% 1608 R/TP
		R230	0RJ1000D677	100 OHM 1/10 W 5% 1608 R/TP
		R231	0RJ4701D677	4.7K OHM 1/10 W 5% 1608 R/TP
		R232	0RJ1000D677	100 OHM 1/10 W 5% 1608 R/TP
		R233	0RJ0000D677	0 OHM 1/10 W 5% 1608 R/TP
		R234	0RJ0000D677	0 OHM 1/10 W 5% 1608 R/TP
		R236	0RJ3301D677	3.3K OHM 1/10 W 5% 1608 R/TP
		R242	0RJ1000D677	100 OHM 1/10 W 5% 1608 R/TP
		R243	0RJ1000D677	100 OHM 1/10 W 5% 1608 R/TP
		R244	0RJ1000D677	100 OHM 1/10 W 5% 1608 R/TP
		R245	0RJ1000D677	100 OHM 1/10 W 5% 1608 R/TP
		R246	0RJ1000D677	100 OHM 1/10 W 5% 1608 R/TP
		R247	0RJ1000D677	100 OHM 1/10 W 5% 1608 R/TP
		R248	0RJ1000D677	100 OHM 1/10 W 5% 1608 R/TP
		R249	0RJ1002D677	10K OHM 1/10 W 5% 1608 R/TP
		R255	0RJ1000D677	100 OHM 1/10 W 5% 1608 R/TP
		R258	0RJ0222D677	22 OHM 1/10 W 5% 1608 R/TP
		R259	0RJ0222D677	22 OHM 1/10 W 5% 1608 R/TP
		R261	0RJ0222D677	22 OHM 1/10 W 5% 1608 R/TP
		R262	0RJ0222D677	22 OHM 1/10 W 5% 1608 R/TP
		R263	0RJ0222D677	22 OHM 1/10 W 5% 1608 R/TP
		R265	0RJ0222D677	22 OHM 1/10 W 5% 1608 R/TP
		R266	0RJ1002D677	10K OHM 1/10 W 5% 1608 R/TP
		R267	0RJ4701D677	4.7K OHM 1/10 W 5% 1608 R/TP
		R268	0RJ0222D677	22 OHM 1/10 W 5% 1608 R/TP
		R269	0RJ0222D677	22 OHM 1/10 W 5% 1608 R/TP
		R270	0RJ1002D677	10K OHM 1/10 W 5% 1608 R/TP
		R271	0RJ4701D677	4.7K OHM 1/10 W 5% 1608 R/TP
		R272	0RJ1001D677	1K OHM 1/10 W 5% 1608 R/TP
		R273	0RJ4701D677	4.7K OHM 1/10 W 5% 1608 R/TP
		R280	0RJ4701D677	4.7K OHM 1/10 W 5% 1608 R/TP
		R281	0RJ4701D677	4.7K OHM 1/10 W 5% 1608 R/TP
		R282	0RJ4701D677	4.7K OHM 1/10 W 5% 1608 R/TP
		R283	0RJ4701D677	4.7K OHM 1/10 W 5% 1608 R/TP
		R284	0RJ4701D677	4.7K OHM 1/10 W 5% 1608 R/TP
		R285	0RJ1000D677	100 OHM 1/10 W 5% 1608 R/TP
		R286	0RJ1000D677	100 OHM 1/10 W 5% 1608 R/TP
		R304	0RJ1001D677	1K OHM 1/10 W 5% 1608 R/TP
		R311	0RJ0222D677	22 OHM 1/10 W 5% 1608 R/TP
		R312	0RJ0222D677	22 OHM 1/10 W 5% 1608 R/TP
		R318	0RJ8200D677	820 OHM 1/10 W 5% 1608 R/TP
		R324	0RJ0752D477	75 OHM 1/10 W 1% 1608 R/TP
		R333	0RJ0752D477	75 OHM 1/10 W 1% 1608 R/TP
		R398	0RJ0102D677	10 OHM 1/10 W 5% 1608 R/TP
		R399	0RJ0102D677	10 OHM 1/10 W 5% 1608 R/TP
		R400	0RJ0102D677	10 OHM 1/10 W 5% 1608 R/TP
		R401	0RJ0102D677	10 OHM 1/10 W 5% 1608 R/TP
		R402	0RJ0102D677	10 OHM 1/10 W 5% 1608 R/TP

DATE: 2003. 06. 12.				
*S	*AL	LOC. NO.	PART NO.	DESCRIPTION / SPECIFICATION
		R403	0RJ0102D677	10 OHM 1/10 W 5% 1608 R/TP
		R404	0RJ0102D677	10 OHM 1/10 W 5% 1608 R/TP
		R405	0RJ0102D677	10 OHM 1/10 W 5% 1608 R/TP
		R406	0RJ0102D677	10 OHM 1/10 W 5% 1608 R/TP
		R407	0RJ0102D677	10 OHM 1/10 W 5% 1608 R/TP
		R408	0RJ0102D677	10 OHM 1/10 W 5% 1608 R/TP
		R409	0RJ0102D677	10 OHM 1/10 W 5% 1608 R/TP
		R410	0RJ0102D677	10 OHM 1/10 W 5% 1608 R/TP
		R411	0RJ0102D677	10 OHM 1/10 W 5% 1608 R/TP
		R412	0RJ0102D677	10 OHM 1/10 W 5% 1608 R/TP
		R413	0RJ0102D677	10 OHM 1/10 W 5% 1608 R/TP
		R420	0RJ1001D677	1K OHM 1/10 W 5% 1608 R/TP
		R421	0RJ1001D677	1K OHM 1/10 W 5% 1608 R/TP
		R422	0RJ1001D677	1K OHM 1/10 W 5% 1608 R/TP
		R424	0RH0222D622	22 OHM 1 / 10 W 2012 5.00% D
		R425	0RH0222D622	22 OHM 1 / 10 W 2012 5.00% D
		R426	0RH0222D622	22 OHM 1 / 10 W 2012 5.00% D
		R427	0RH0222D622	22 OHM 1 / 10 W 2012 5.00% D
		R428	0RJ1000D677	100 OHM 1/10 W 5% 1608 R/TP
		R429	0RJ1000D677	100 OHM 1/10 W 5% 1608 R/TP
		R430	0RJ1000D677	100 OHM 1/10 W 5% 1608 R/TP
		R440	0RJ1001D677	1K OHM 1/10 W 5% 1608 R/TP
		R441	0RH1001D422	1000 OHM 1 / 10 W 1% D R/TP
		R444	0RH1001D422	1000 OHM 1 / 10 W 1% D R/TP
		R447	0RJ1000D677	100 OHM 1/10 W 5% 1608 R/TP
		R477	0RJ0000D677	0 OHM 1/10 W 5% 1608 R/TP
		R478	0RJ0000D677	0 OHM 1/10 W 5% 1608 R/TP
		R479	0RJ0000D677	0 OHM 1/10 W 5% 1608 R/TP
		R480	0RJ0000D677	0 OHM 1/10 W 5% 1608 R/TP
		R481	0RJ0000D677	0 OHM 1/10 W 5% 1608 R/TP
		R482	0RH0000D622	0 1/10W P-TYPE TAPPING
		R483	0RH0000D622	0 1/10W P-TYPE TAPPING
		R485	0RJ0000D677	0 OHM 1/10 W 5% 1608 R/TP
		R486	0RJ0000D677	0 OHM 1/10 W 5% 1608 R/TP
		R490	0RH0000D622	0 1/10W P-TYPE TAPPING
		R491	0RH0000D622	0 1/10W P-TYPE TAPPING
		R492	0RH4701D622	4.7K 1/10W 5 D.R/TP
		R495	0RH1000D622	100 1/10W 5 D.R/TP
		R496	0RH1000D622	100 1/10W 5 D.R/TP
		R497	0RH1000D622	100 1/10W 5 D.R/TP
		R498	0RH1000D622	100 1/10W 5 D.R/TP
		R499	0RH1000D622	100 1/10W 5 D.R/TP
		R500	0RH1000D622	100 1/10W 5 D.R/TP
		RA1	0RHZTCZ001E	RCA SMART 47OHM 1/16 W 5% 32
		RA2	0RHZTCZ001E	RCA SMART 47OHM 1/16 W 5% 32
		RA3	0RHZTCZ001E	RCA SMART 47OHM 1/16 W 5% 32
		RA4	0RHZTCZ001E	RCA SMART 47OHM 1/16 W 5% 32
		RA5	0RHZTCZ001E	RCA SMART 47OHM 1/16 W 5% 32
		RA6	0RHZTCZ001E	RCA SMART 47OHM 1/16 W 5% 32
		RA7	0RHZTCZ001E	RCA SMART 47OHM 1/16 W 5% 32
		RA8	0RHZTCZ001E	RCA SMART 47OHM 1/16 W 5% 32
		RA9	0RHZTCZ001E	RCA SMART 47OHM 1/16 W 5% 32
		RA10	0RHZTCZ001E	RCA SMART 47OHM 1/16 W 5% 32
		RA11	0RHZTCZ001E	RCA SMART 47OHM 1/16 W 5% 32
		RA12	0RHZTCZ001E	RCA SMART 47OHM 1/16 W 5% 32
		RA13	0RHZTCZ001E	RCA SMART 47OHM 1/16 W 5% 32
		RA14	0RHZTCZ001E	RCA SMART 47OHM 1/16 W 5% 32
		RA15	0RHZTCZ001E	RCA SMART 47OHM 1/16 W 5% 32
		RA16	0RHZTCZ001E	RCA SMART 47OHM 1/16 W 5% 32
		RA17	0RHZTCZ001E	RCA SMART 47OHM 1/16 W 5% 32
		RA18	0RHZTCZ001E	RCA SMART 47OHM 1/16 W 5% 32
		RA19	0RHZTCZ001E	RCA SMART 47OHM 1/16 W 5% 32

DATE: 2003. 06. 12.				
*S	*AL	LOC. NO.	PART NO.	DESCRIPTION / SPECIFICATION
		RA20	0RHZTCZ001E	RCA SMART 47OHM 1/16 W 5% 32
		RA21	0RHZTCZ001E	RCA SMART 47OHM 1/16 W 5% 32
		RA22	0RHZTCZ001E	RCA SMART 47OHM 1/16 W 5% 32
		RA23	0RHZTCZ001E	RCA SMART 47OHM 1/16 W 5% 32
		RA24	0RHZTCZ001E	RCA SMART 47OHM 1/16 W 5% 32
		RA29	0RHZTCZ001A	100 OHM 1/16 W 5% 3215 R/TP
		RA30	0RHZTCZ001A	100 OHM 1/16 W 5% 3215 R/TP
		RA31	0RHZTCZ001A	100 OHM 1/16 W 5% 3215 R/TP
		RA32	0RHZTCZ001A	100 OHM 1/16 W 5% 3215 R/TP
		RA33	0RHZTCZ001A	100 OHM 1/16 W 5% 3215 R/TP
		RA34	0RHZTCZ001A	100 OHM 1/16 W 5% 3215 R/TP
		RA35	0RHZTCZ001A	100 OHM 1/16 W 5% 3215 R/TP
		RA36	0RHZTCZ001A	100 OHM 1/16 W 5% 3215 R/TP
		RA37	0RHZTCZ001D	22 1/16 W 5% 3215 R/TP 0.05%
		RA38	0RHZTCZ001D	22 1/16 W 5% 3215 R/TP 0.05%
		RA39	0RHZTCZ001E	RCA SMART 47OHM 1/16 W 5% 32
		RA40	0RHZTCZ001E	RCA SMART 47OHM 1/16 W 5% 32
		RA41	0RHZTCZ001A	100 OHM 1/16 W 5% 3215 R/TP
		RA42	0RHZTCZ001A	100 OHM 1/16 W 5% 3215 R/TP
		RA43	0RHZTCZ001D	22 1/16 W 5% 3215 R/TP 0.05%
		RA44	0RHZTCZ001F	RCA SMART 4.7KOHM 1/16 W 5%
		RA45	0RHZTCZ001F	RCA SMART 4.7KOHM 1/16 W 5%
		RA46	0RHZTCZ001F	RCA SMART 4.7KOHM 1/16 W 5%
		RA47	0RHZTCZ001A	100 OHM 1/16 W 5% 3215 R/TP
		RA48	0RHZTCZ001A	100 OHM 1/16 W 5% 3215 R/TP
		RA49	0RHZTCZ001A	100 OHM 1/16 W 5% 3215 R/TP
		RA50	0RHZTCZ001A	100 OHM 1/16 W 5% 3215 R/TP
		RA55	0RHZTCZ001A	100 OHM 1/16 W 5% 3215 R/TP
		RA56	0RHZTCZ001A	100 OHM 1/16 W 5% 3215 R/TP
		RA57	0RHZTCZ001A	100 OHM 1/16 W 5% 3215 R/TP
		RA58	0RHZTCZ001A	100 OHM 1/16 W 5% 3215 R/TP
		RA59	0RHZTCZ001D	22 1/16 W 5% 3215 R/TP 0.05%
		RA60	0RHZTCZ001D	22 1/16 W 5% 3215 R/TP 0.05%
		RA61	0RHZTCZ001D	22 1/16 W 5% 3215 R/TP 0.05%
		RA62	0RHZTCZ001D	22 1/16 W 5% 3215 R/TP 0.05%
		RA63	0RHZTCZ001D	22 1/16 W 5% 3215 R/TP 0.05%
		RA64	0RHZTCZ001D	22 1/16 W 5% 3215 R/TP 0.05%
		RA65	0RHZTCZ001D	22 1/16 W 5% 3215 R/TP 0.05%
		RA66	0RHZTCZ001D	22 1/16 W 5% 3215 R/TP 0.05%
		RA67	0RHZTCZ001D	22 1/16 W 5% 3215 R/TP 0.05%
		RA68	0RHZTCZ001D	22 1/16 W 5% 3215 R/TP 0.05%
		RA69	0RHZTCZ001D	22 1/16 W 5% 3215 R/TP 0.05%
		RA70	0RHZTCZ001F	RCA SMART 4.7KOHM 1/16 W 5%
		RA71	0RHZTCZ001F	RCA SMART 4.7KOHM 1/16 W 5%
		RA74	0RHZTCZ001D	22 1/16 W 5% 3215 R/TP 0.05%
		RA75	0RHZTCZ001D	22 1/16 W 5% 3215 R/TP 0.05%
		RA76	0RHZTCZ001D	22 1/16 W 5% 3215 R/TP 0.05%
		RA77	0RHZTCZ001D	22 1/16 W 5% 3215 R/TP 0.05%
		RA78	0RHZTCZ001D	22 1/16 W 5% 3215 R/TP 0.05%
		RA79	0RHZTCZ001D	22 1/16 W 5% 3215 R/TP 0.05%
		RA80	0RHZTCZ001D	22 1/16 W 5% 3215 R/TP 0.05%
		RA81	0RHZTCZ001D	22 1/16 W 5% 3215 R/TP 0.05%
		RA82	0RHZTCZ001D	22 1/16 W 5% 3215 R/TP 0.05%
		RA83	0RHZTCZ001F	RCA SMART 4.7KOHM 1/16 W 5%
OTHERS				
		X3	6202TST001A	"SX-1 SUNNY ,SMS, 14.31818MHZ"
		X6	6202TST001A	"SX-1 SUNNY ,SMS, 14.31818MHZ"

DATE: 2003. 06. 12.				
*S	*AL	LOC. NO.	PART NO.	DESCRIPTION / SPECIFICATION
VIDEO BOARD				
CAPACITORS				
		C301	0CH8107H611	100UF 25V M 85STD(CYL) R/TP
		C302	0CE476VC6DC	47UF MV 6.3V 20% R/TP(SMD) S
		C303	0CK103CK51A	0.01UF 1608 50V 10% R/TP B(Y)
		C304	0CK104CK56A	0.1UF 1608 50V 10% R/TP X7R
		C305	0CH8107H611	100UF 25V M 85STD(CYL) R/TP
		C306	0CK103CK51A	0.01UF 1608 50V 10% R/TP B(Y)
		C307	0CK104CK56A	0.1UF 1608 50V 10% R/TP X7R
		C308	0CK104CK56A	0.1UF 1608 50V 10% R/TP X7R
		C309	0CK104CK56A	0.1UF 1608 50V 10% R/TP X7R
		C312	0CK104CK56A	0.1UF 1608 50V 10% R/TP X7R
		C313	DCH7106F621	10UF 16V M 3528MM TP(-)
		C314	0CK103CK51A	0.01UF 1608 50V 10% R/TP B(Y)
		C315	0CK104CK56A	0.1UF 1608 50V 10% R/TP X7R
		C316	0CK104CK56A	0.1UF 1608 50V 10% R/TP X7R
		C317	0CK104CK56A	0.1UF 1608 50V 10% R/TP X7R
		C318	0CH3104K946	100000PF 50V Z F 2012 R/TP
		C319	0CH3104K946	100000PF 50V Z F 2012 R/TP
		C320	0CH3104K946	100000PF 50V Z F 2012 R/TP
		C321	0CH3104K946	100000PF 50V Z F 2012 R/TP
		C322	0CH3104K946	100000PF 50V Z F 2012 R/TP
		C323	0CH3104K946	100000PF 50V Z F 2012 R/TP
		C324	0CH3104K946	100000PF 50V Z F 2012 R/TP
		C325	0CK104CK56A	0.1UF 1608 50V 10% R/TP X7R
		C327	0CK104CK56A	0.1UF 1608 50V 10% R/TP X7R
		C328	0CK104CK56A	0.1UF 1608 50V 10% R/TP X7R
		C329	0CK104CK56A	0.1UF 1608 50V 10% R/TP X7R
		C330	0CK104CK56A	0.1UF 1608 50V 10% R/TP X7R
		C331	0CH3104K946	100000PF 50V Z F 2012 R/TP
		C333	0CH3104K946	100000PF 50V Z F 2012 R/TP
		C334	0CH3104K946	100000PF 50V Z F 2012 R/TP
		C335	0CH3104K946	100000PF 50V Z F 2012 R/TP
		C337	0CH3104K946	100000PF 50V Z F 2012 R/TP
		C338	0CH3104K946	100000PF 50V Z F 2012 R/TP
		C339	0CC330CK41A	33PF 1608 50V 5% R/TP NP0
		C340	0CH3104K946	100000PF 50V Z F 2012 R/TP
		C341	0CC330CK41A	33PF 1608 50V 5% R/TP NP0
		C342	0CH3104K946	100000PF 50V Z F 2012 R/TP
		C343	0CH3104K946	100000PF 50V Z F 2012 R/TP
		C344	0CH3104K946	100000PF 50V Z F 2012 R/TP
		C346	0CH3104K946	100000PF 50V Z F 2012 R/TP
		C347	0CH3104K946	100000PF 50V Z F 2012 R/TP
		C348	0CH3104K946	100000PF 50V Z F 2012 R/TP
		C349	0CH3104K946	100000PF 50V Z F 2012 R/TP
		C350	0CH3104K946	100000PF 50V Z F 2012 R/TP
		C351	0CK104CK56A	0.1UF 1608 50V 10% R/TP X7R
		C352	0CK104CK56A	0.1UF 1608 50V 10% R/TP X7R
		C353	0CE476VC6DC	47UF MV 6.3V 20% R/TP(SMD) S
		C354	0CH8107H611	100UF 25V M 85STD(CYL) R/TP
		C357	0CH8107H611	100UF 25V M 85STD(CYL) R/TP
		C358	0CK103CK51A	0.01UF 1608 50V 10% R/TP B(Y)
		C360	DCH7106F621	10UF 16V M 3528MM TP(-)
		C361	0CK104CK56A	0.1UF 1608 50V 10% R/TP X7R
		C362	0CK104CK56A	0.1UF 1608 50V 10% R/TP X7R
		C601	0CK103CK51A	0.01UF 1608 50V 10% R/TP B(Y)
		C602	0CH8476F691	47UF 16V 20% 105STD (CYL) R/
		C603	0CK103CK51A	0.01UF 1608 50V 10% R/TP B(Y)
		C604	0CH8476F691	47UF 16V 20% 105STD (CYL) R/
		C606	0CK152CK51A	1500PF 1608 50V 10% R/TP B(Y)
		C607	0CH3224K946	0.22UF 50V Z F 2012 R/TP
		C608	0CH3224K946	0.22UF 50V Z F 2012 R/TP

DATE: 2003. 06. 12.				
*S	*AL	LOC. NO.	PART NO.	DESCRIPTION / SPECIFICATION
		C609	0CC331CK41A	330PF 1608 50V 5% R/TP NP0
		C610	0CH3224K946	0.22UF 50V Z F 2012 R/TP
		C611	0CC331CK41A	330PF 1608 50V 5% R/TP NP0
		C612	0CH3224K946	0.22UF 50V Z F 2012 R/TP
		C613	0CC331CK41A	330PF 1608 50V 5% R/TP NP0
		C614	0CK152CK51A	1500PF 1608 50V 10% R/TP B(Y)
		C616	0CK472CK51A	4700PF 1608 50V 10% R/TP B(Y)
		C617	0CH6391K416	390PF 50V 5% NP0 2012 R/TP
		C618	0CH3224K946	0.22UF 50V Z F 2012 R/TP
		C619	0CH8106F611	10UF 16V M 85STD(CYL) R/TP
		C620	0CC120CK41A	12PF 1608 50V 5% R/TP NP0
		C621	0CC120CK41A	12PF 1608 50V 5% R/TP NP0
		C622	0CK152CK51A	1500PF 1608 50V 10% R/TP B(Y)
		C623	0CK104CK56A	0.1UF 1608 50V 10% R/TP X7R
		C625	0CH3224K946	0.22UF 50V Z F 2012 R/TP
		C627	0CH3224K946	0.22UF 50V Z F 2012 R/TP
		C628	0CK152CK51A	1500PF 1608 50V 10% R/TP B(Y)
		C630	0CH6102K406	1000PF 50V J SL 2012 R/TP
		C631	0CH3684K946	"0.68UF 50V 80%,-20% F(Y5V) 2"
		C632	0CH3684K946	"0.68UF 50V 80%,-20% F(Y5V) 2"
		C633	0CH6391K416	390PF 50V 5% NP0 2012 R/TP
		C634	0CH6391K416	390PF 50V 5% NP0 2012 R/TP
		C635	0CH8106F611	10UF 16V M 85STD(CYL) R/TP
		C636	0CH8106F611	10UF 16V M 85STD(CYL) R/TP
		C637	0CH3224K946	0.22UF 50V Z F 2012 R/TP
		C638	0CH3224K946	0.22UF 50V Z F 2012 R/TP
		C639	0CH3683K946	68000PF 50V Z F 2012 R/TP
		C640	0CH3683K946	68000PF 50V Z F 2012 R/TP
		C641	0CH3683K946	68000PF 50V Z F 2012 R/TP
		C642	0CH6152K406	1500PF 50V J SL 2012 R/TP
		C644	0CH3472K516	4700PF 50V K B 2012 R/TP
		C645	0CH3104K946	100000PF 50V Z F 2012 R/TP
		C646	0CH3684K946	"0.68UF 50V 80%,-20% F(Y5V) 2"
		C650	0CH3472K516	4700PF 50V K B 2012 R/TP
		C653	0CH3472K516	4700PF 50V K B 2012 R/TP
		C654	0CH6331K416	330PF 50V J NP0 2012 R/TP
		C655	0CH6331K416	330PF 50V J NP0 2012 R/TP
		C656	0CH6331K416	330PF 50V J NP0 2012 R/TP
		C702	0CC331CK41A	330PF 1608 50V 5% R/TP NP0
		C703	0CC331CK41A	330PF 1608 50V 5% R/TP NP0
		C704	0CC331CK41A	330PF 1608 50V 5% R/TP NP0
		C705	0CK103CK51A	0.01UF 1608 50V 10% R/TP B(Y)
		C706	0CH8107D611	100UF 10V 20% 85STD (CYL) R/
		C707	0CK104CK56A	0.1UF 1608 50V 10% R/TP X7R
		C801	0CK104CK56A	0.1UF 1608 50V 10% R/TP X7R
		C802	0CK103CK51A	0.01UF 1608 50V 10% R/TP B(Y)
		C803	0CK103CK51A	0.01UF 1608 50V 10% R/TP B(Y)
		C805	0CK104CK56A	0.1UF 1608 50V 10% R/TP X7R
		C806	0CK103CK51A	0.01UF 1608 50V 10% R/TP B(Y)
		C807	0CK104CK56A	0.1UF 1608 50V 10% R/TP X7R
		C808	0CE227ED638	220UF KMG 10V 20% FM5 TP 5
		C809	0CE227ED638	220UF KMG 10V 20% FM5 TP 5
		C810	0CZZTAT002D	SVP SANYO 10V 270UF M REEL O
		C811	0CK104CK56A	0.1UF 1608 50V 10% R/TP X7R
		C812	0CZZTAT002D	SVP SANYO 10V 270UF M REEL O
		C813	0CK104CK56A	0.1UF 1608 50V 10% R/TP X7R
		C814	0CK104CK56A	0.1UF 1608 50V 10% R/TP X7R
		C815	0CK104CK56A	0.1UF 1608 50V 10% R/TP X7R
		C816	0CE337EH638	330 UF KMG 25V M FM5 TP 5
		C817	0CE227BH638	220U KME 25V M FM5 TP5
		C818	0CE108EH618	1000UF KMG 25V M FL TP5
		C819	0CK103CK51A	0.01UF 1608 50V 10% R/TP B(Y)

DATE: 2003. 06. 12.				
*S	*AL	LOC. NO.	PART NO.	DESCRIPTION / SPECIFICATION
		C820	0CK103CK51A	0.01UF 1608 50V 10% R/TP B(Y)
		C821	0CK103CK51A	0.01UF 1608 50V 10% R/TP B(Y)
		C822	0CK104CK56A	0.1UF 1608 50V 10% R/TP X7R
		C823	0CK103CK51A	0.01UF 1608 50V 10% R/TP B(Y)
		C824	0CK104CK56A	0.1UF 1608 50V 10% R/TP X7R
		C825	0CK104CK56A	0.1UF 1608 50V 10% R/TP X7R
		C826	0CE227ED638	220UF KMG 10V 20% FM5 TP 5
		C827	0CE227ED638	220UF KMG 10V 20% FM5 TP 5
		C828	0CH8476K611	47UF 50V 20% 85STD (CYL) R/T
		C829	0CK103CK51A	0.01UF 1608 50V 10% R/TP B(Y)
		C830	0CK104CK56A	0.1UF 1608 50V 10% R/TP X7R
		C831	0CK104CK56A	0.1UF 1608 50V 10% R/TP X7R
		C840	0CK104CK56A	0.1UF 1608 50V 10% R/TP X7R
		C841	0CH3474H946	"0.47UF 25V 80%,-20% F(Y5V) 2"
		C842	0CH3474H946	"0.47UF 25V 80%,-20% F(Y5V) 2"
		C843	0CH3474H946	"0.47UF 25V 80%,-20% F(Y5V) 2"
		C844	0CH8476H691	47UF 25V 20% 105STD (CYL) R/
		C845	0CH8476H691	47UF 25V 20% 105STD (CYL) R/
		C846	0CH8476H691	47UF 25V 20% 105STD (CYL) R/
		C901	0CH8107D611	100UF 10V 20% 85STD (CYL) R/
		C902	0CH8107D611	100UF 10V 20% 85STD (CYL) R/
		C903	0CK103CK51A	0.01UF 1608 50V 10% R/TP B(Y)
		C904	0CK103CK51A	0.01UF 1608 50V 10% R/TP B(Y)
		C905	0CC330CK41A	33PF 1608 50V 5% R/TP NP0
		C906	0CC330CK41A	33PF 1608 50V 5% R/TP NP0
		C907	0CK104CK56A	0.1UF 1608 50V 10% R/TP X7R
		C908	0CK104CK56A	0.1UF 1608 50V 10% R/TP X7R
		C909	0CH8107D611	100UF 10V 20% 85STD (CYL) R/
		C910	0CC470CK41A	47PF 1608 50V 5% R/TP NP0
		C911	0CC470CK41A	47PF 1608 50V 5% R/TP NP0
		C912	0CK103CK51A	0.01UF 1608 50V 10% R/TP B(Y)
		C913	0CK104CK56A	0.1UF 1608 50V 10% R/TP X7R
		C914	0CK105CF94A	"1UF 1608 16V 80%,-20% R/TP F"
		C915	0CK104CK56A	0.1UF 1608 50V 10% R/TP X7R
		C916	0CC150CK41A	15PF 1608 50V 5% R/TP NP0
		C917	0CC470CK41A	47PF 1608 50V 5% R/TP NP0
		C918	0CC470CK41A	47PF 1608 50V 5% R/TP NP0
		C919	0CK104CK56A	0.1UF 1608 50V 10% R/TP X7R
		C920	0CC150CK41A	15PF 1608 50V 5% R/TP NP0
		C921	0CH8227D611	220UF 10V 20% 85STD (CYL) R/
		C922	0CH8227D611	220UF 10V 20% 85STD (CYL) R/
		C923	0CK103CK51A	0.01UF 1608 50V 10% R/TP B(Y)
		C924	0CK104CK56A	0.1UF 1608 50V 10% R/TP X7R
		C925	0CC330CK41A	33PF 1608 50V 5% R/TP NP0
		C926	0CK104CK56A	0.1UF 1608 50V 10% R/TP X7R
		C927	0CH8107H611	100UF 25V M 85STD(CYL) R/TP
		C928	0CH8107H611	100UF 25V M 85STD(CYL) R/TP
		C929	0CH8107H611	100UF 25V M 85STD(CYL) R/TP
		C930	0CK104CK56A	0.1UF 1608 50V 10% R/TP X7R
		C931	0CK104CK56A	0.1UF 1608 50V 10% R/TP X7R
		C932	0CK104CK56A	0.1UF 1608 50V 10% R/TP X7R
		C933	0CK104CK56A	0.1UF 1608 50V 10% R/TP X7R
		C934	0CK103CK51A	0.01UF 1608 50V 10% R/TP B(Y)
		C935	0CH8106F611	10UF 16V M 85STD(CYL) R/TP
		C936	0CH8106F611	10UF 16V M 85STD(CYL) R/TP
		C937	0CE227VH6DC	220UF MV 25V 20% R/TP(SMD) S
		C938	0CK104CK56A	0.1UF 1608 50V 10% R/TP X7R
		C939	0CK103CK51A	0.01UF 1608 50V 10% R/TP B(Y)
		C940	0CH8107D611	100UF 10V 20% 85STD (CYL) R/
		C941	0CK104CK56A	0.1UF 1608 50V 10% R/TP X7R
		C942	0CH3104K946	10000PF 50V Z F 2012 R/TP
		C944	0CH3103K516	10000PF 50V 10% B(Y5P) 2012

DATE: 2003. 06. 12.					
*S	*AL	LOC. NO.	PART NO.	DESCRIPTION / SPECIFICATION	
			C945	0CH3104K946	10000PF 50V Z F 2012 R/TP
			C946	0CH3104K946	10000PF 50V Z F 2012 R/TP
			C947	0CH3103K516	10000PF 50V 10% B(Y5P) 2012
			C948	0CH3103K516	10000PF 50V 10% B(Y5P) 2012
			C949	0CH3104K946	10000PF 50V Z F 2012 R/TP
			C950	0CH3103K516	10000PF 50V 10% B(Y5P) 2012
			C951	0CK104CK56A	0.1UF 1608 50V 10% R/TP X7R
			C952	0CH3104K946	10000PF 50V Z F 2012 R/TP
			C953	0CK104CK56A	0.1UF 1608 50V 10% R/TP X7R
			C954	0CK103CK51A	0.01UF 1608 50V 10% R/TP B(Y)
			C956	0CK104CK56A	0.1UF 1608 50V 10% R/TP X7R
			C957	0CK104CK56A	0.1UF 1608 50V 10% R/TP X7R
			CN901	6630SK01004	"UAS21-4K2300 ACON 4P 2.0MM """"
			CN902	6630SK01004	"UAS21-4K2300 ACON 4P 2.0MM """"
			DIODEs		
			D701	0DS226009AA	KDS226 TP KEC SOT-23 80V 30
			D702	0DS226009AA	KDS226 TP KEC SOT-23 80V 30
			D703	0DS226009AA	KDS226 TP KEC SOT-23 80V 30
			D704	0DS226009AA	KDS226 TP KEC SOT-23 80V 30
			D705	0DS226009AA	KDS226 TP KEC SOT-23 80V 30
			D706	0DS226009AA	KDS226 TP KEC SOT-23 80V 30
			D707	0DS226009AA	KDS226 TP KEC SOT-23 80V 30
			D708	0DS226009AA	KDS226 TP KEC SOT-23 80V 30
			D801	0DR340009AA	MBRS340 TP FAIRCHILD NON 40V
			D802	0DS181009AA	KDS181 TP KEC SOT-23 80V 3
			D805	0DR340009AA	MBRS340 TP FAIRCHILD NON 40V
			D808	0DRON00208A	MBRD640CTT4 ON SEMI R/TP D-P
			D901	0DS181009AA	KDS181 TP KEC SOT-23 80V 3
			D902	0DR190309AA	MBRS190T3 TP MOTOROLA 403A
			D903	0DR190309AA	MBRS190T3 TP MOTOROLA 403A
			ZD701	0DZ560009DA	UDZ S 5.6B TP ROHM-K SOD323
			ZD702	0DZ560009DA	UDZ S 5.6B TP ROHM-K SOD323
			ZD703	0DZ560009DA	UDZ S 5.6B TP ROHM-K SOD323
			ZD704	0DZ560009DA	UDZ S 5.6B TP ROHM-K SOD323
			ZD705	0DZ560009DA	UDZ S 5.6B TP ROHM-K SOD323
			ZD706	0DZ560009DA	UDZ S 5.6B TP ROHM-K SOD323
			ZD707	0DZ560009DA	UDZ S 5.6B TP ROHM-K SOD323
			ZD708	0DZ560009DA	UDZ S 5.6B TP ROHM-K SOD323
			ZD709	0DZ560009DA	UDZ S 5.6B TP ROHM-K SOD323
			ZD710	0DZ560009DA	UDZ S 5.6B TP ROHM-K SOD323
			ZD711	0DZ560009DA	UDZ S 5.6B TP ROHM-K SOD323
			ZD712	0DZ560009DA	UDZ S 5.6B TP ROHM-K SOD323
			ZD713	0DZ560009DA	UDZ S 5.6B TP ROHM-K SOD323
			ZD714	0DZ560009DA	UDZ S 5.6B TP ROHM-K SOD323
			ZD715	0DZ560009DA	UDZ S 5.6B TP ROHM-K SOD323
			ZD801	0DZ120009CF	UDZ 12B TP ROHM-K SOD323 200
			ZD901	0DZ560009DA	UDZ S 5.6B TP ROHM-K SOD323
			ZD902	0DZ560009DA	UDZ S 5.6B TP ROHM-K SOD323
			ZD903	0DZ560009DA	UDZ S 5.6B TP ROHM-K SOD323
			ZD904	0DZ560009DA	UDZ S 5.6B TP ROHM-K SOD323
			ZD905	0DZ560009DA	UDZ S 5.6B TP ROHM-K SOD323
			ZD906	0DZ560009DA	UDZ S 5.6B TP ROHM-K SOD323
			ZD907	0DZ560009DA	UDZ S 5.6B TP ROHM-K SOD323
			ZD908	0DZ560009DA	UDZ S 5.6B TP ROHM-K SOD323
			ZD910	0DZ560009DA	UDZ S 5.6B TP ROHM-K SOD323
			ZD911	0DZ560009DA	UDZ S 5.6B TP ROHM-K SOD323
			ZD912	0DZ560009DA	UDZ S 5.6B TP ROHM-K SOD323
			ZD913	0DZ560009DA	UDZ S 5.6B TP ROHM-K SOD323
			ZD914	0DZ560009DA	UDZ S 5.6B TP ROHM-K SOD323
			ZD915	0DZ560009DA	UDZ S 5.6B TP ROHM-K SOD323

DATE: 2003. 06. 12.				
*S	*AL	LOC. NO.	PART NO.	DESCRIPTION / SPECIFICATION
		ZD916	0DZ360009EB	UDZ 3.6B TP ROHM SOD323 200M
		ZD917	0DZ360009EB	UDZ 3.6B TP ROHM SOD323 200M
		ZD918	0DZ360009EB	UDZ 3.6B TP ROHM SOD323 200M
		ZD919	0DZ360009EB	UDZ 3.6B TP ROHM SOD323 200M
		ZD927	0DZ360009EB	UDZ 3.6B TP ROHM SOD323 200M
		ZD928	0DZ360009EB	UDZ 3.6B TP ROHM SOD323 200M
ICs				
		U301	0IMMRHY033A	HY57V643220C(L)T-6 HYNIX 86P
		U302	0IMCRGN001B	FLI2310BC GENESIS 208P PQFP
		U303	0IPMGFA003D	FAN1117AS-1.8 FAIRCHILD 4P S
		U304	0IRH033200A	BA033FP-E2 MOLD-3 TP REGULAT
		U601	0IIT323000E	VPC3230D C5 80P QFP TRAY VID
		U702	0IPRPON001A	"JLC1562BFEL ON SEMI 16P,EIAJ"
		U801	0IDS170800A	DS1708S 8P SOIC ST MICROMONI
		U803	0INS267650A	LM2676S-5.0 7PIN TO263 R/TP
		U804	0IPMGNS004B	LM2676S-ADJ NATIONAL SEMICON
		U805	0INS267650A	LM2676S-5.0 7PIN TO263 R/TP
		U901	0ITI204200B	TPS2042ADR TEXAS INSTRUMENT
		U902	0IFA111733A	RC1117S-33 SOT-223 TP 1A 3.3
		U903	0IPRPT1007A	TUSB2036 TEXAS INSTRUMENT 32
		U904	0IPRPON001A	"JLC1562BFEL ON SEMI 16P,EIAJ"
		U905	0INS259650A	"LM2596-5V 5LEAD,TO263(S) TP"
		U906	0TFIR80016A	INTERNATIONAL RECTIFIER IRF7
COIL & COREs				
		L301	6210TCE001S	HU-1M2012-121 CERATECH 2012M
		L302	6210TCE001S	HU-1M2012-121 CERATECH 2012M
		L303	6210TCE001S	HU-1M2012-121 CERATECH 2012M
		L304	6210TCE001S	HU-1M2012-121 CERATECH 2012M
		L305	6210TCE001S	HU-1M2012-121 CERATECH 2012M
		L330	6210TCE001S	HU-1M2012-121 CERATECH 2012M
		L601	6210TCE001S	HU-1M2012-121 CERATECH 2012M
		L602	6210TCE001S	HU-1M2012-121 CERATECH 2012M
		L603	0LC2000005D	"F1-B2012-332KJT,3.3 UH CERAT"
		L604	0LC2000005D	"F1-B2012-332KJT,3.3 UH CERAT"
		L605	0LC2000005D	"F1-B2012-332KJT,3.3 UH CERAT"
		L701	6210TCE001R	HB-1S2012-400JT CERATECH 201
		L702	6210TCE001S	HU-1M2012-121 CERATECH 2012M
		L705	6210TCE001R	HB-1S2012-400JT CERATECH 201
		L708	6210TCE001R	HB-1S2012-400JT CERATECH 201
		L709	6210TCE001R	HB-1S2012-400JT CERATECH 201
		L710	6210TCE001R	HB-1S2012-400JT CERATECH 201
		L711	6210TCE001R	HB-1S2012-400JT CERATECH 201
		L712	6210TCE001R	HB-1S2012-400JT CERATECH 201
		L713	6210TCE001R	HB-1S2012-400JT CERATECH 201
		L714	6210TCE001R	HB-1S2012-400JT CERATECH 201
		L781	6210TCE001S	HU-1M2012-121 CERATECH 2012M
		L801	6210TCE001S	HU-1M2012-121 CERATECH 2012M
		L802	6210TCE001S	HU-1M2012-121 CERATECH 2012M
		L803	6210TCE001S	HU-1M2012-121 CERATECH 2012M
		L806	6140TBZ016H	" - DR10*7,0.5MM 22UH,L2320A"
		L807	6210TCE001S	HU-1M2012-121 CERATECH 2012M
		L808	6210TCE001S	HU-1M2012-121 CERATECH 2012M
		L809	6140TBZ016J	" - DR10*7,0.5MM 33UH,L2320A"
		L810	6140TBZ016J	" - DR10*7,0.5MM 33UH,L2320A"
		L811	6140TBZ016H	" - DR10*7,0.5MM 22UH,L2320A"
		L812	6210TCE001S	HU-1M2012-121 CERATECH 2012M
		L813	6210TCE0013	- CERATEC R/TP HB1M1608-121J
		L901	6210TCE001A	HB-1S2012-080JT CERATEC 2012

DATE: 2003. 06. 12.				
*S	*AL	LOC. NO.	PART NO.	DESCRIPTION / SPECIFICATION
		L902	6210TCE001A	HB-1S2012-080JT CERATEC 2012
		L903	6210TCE001R	HB-1S2012-400JT CERATECH 201
		L904	6210TCE001R	HB-1S2012-400JT CERATECH 201
		L905	6210TCE001R	HB-1S2012-400JT CERATECH 201
		L906	6210TCE001R	HB-1S2012-400JT CERATECH 201
		L907	6210TCE001S	HU-1M2012-121 CERATECH 2012M
		L908	6210TCE001R	HB-1S2012-400JT CERATECH 201
		L909	6210TCE001R	HB-1S2012-400JT CERATECH 201
		L910	6210TCE001S	HU-1M2012-121 CERATECH 2012M
		L911	6210TCE001S	HU-1M2012-121 CERATECH 2012M
		L912	6210TCE001S	HU-1M2012-121 CERATECH 2012M
		L913	6210TCE001R	HB-1S2012-400JT CERATECH 201
		L914	6210TCE001R	HB-1S2012-400JT CERATECH 201
		L915	6210TCE001R	HB-1S2012-400JT CERATECH 201
		L916	6140TBZ016J	" - DR10*7,0.5MM 33UH,L2320A"
		L917	6210TCE001S	HU-1M2012-121 CERATECH 2012M
		L918	6210TCE001S	HU-1M2012-121 CERATECH 2012M
		L919	6210TCE001S	HU-1M2012-121 CERATECH 2012M
		L920	6210TCE001R	HB-1S2012-400JT CERATECH 201
		L921	6210TCE001R	HB-1S2012-400JT CERATECH 201
		L922	6210TCE001S	HU-1M2012-121 CERATECH 2012M
		L923	6210TCE001R	HB-1S2012-400JT CERATECH 201
		L924	6210TCE001R	HB-1S2012-400JT CERATECH 201
		L925	6210TCE001S	HU-1M2012-121 CERATECH 2012M
		L926	6210TCE001R	HB-1S2012-400JT CERATECH 201
		L927	6210TCE001R	HB-1S2012-400JT CERATECH 201
		L928	6210TCE001S	HU-1M2012-121 CERATECH 2012M
		L929	6210TCE001S	HU-1M2012-121 CERATECH 2012M
		L930	6210TCE001S	HU-1M2012-121 CERATECH 2012M
		L931	6210TCE001R	HB-1S2012-400JT CERATECH 201
		L932	6210TCE001R	HB-1S2012-400JT CERATECH 201
		L940	6200J00007B	" - TDK R/TP ACM0706-1000,LA29"
TRANSISTORs				
		Q701	0TR162309CA	KSC1623 TP SAMSUNG SOT23 NP
		Q702	0TR162309CA	KSC1623 TP SAMSUNG SOT23 NP
		Q901	0TR162309CA	KSC1623 TP SAMSUNG SOT23 NP
		Q902	0TR162309CA	KSC1623 TP SAMSUNG SOT23 NP
RESISTORs				
		R301	0RJ0472D677	47 OHM 1/10 W 5% 1608 R/TP
		R302	0RJ4701D677	4.7K OHM 1/10 W 5% 1608 R/TP
		R303	0RJ1000D677	100 OHM 1/10 W 5% 1608 R/TP
		R304	0RJ1000D677	100 OHM 1/10 W 5% 1608 R/TP
		R305	0RJ4701D677	4.7K OHM 1/10 W 5% 1608 R/TP
		R306	0RJ0000D677	0 OHM 1/10 W 5% 1608 R/TP
		R309	0RJ0000D677	0 OHM 1/10 W 5% 1608 R/TP
		R312	0RJ1000D677	100 OHM 1/10 W 5% 1608 R/TP
		R313	0RJ1000D677	100 OHM 1/10 W 5% 1608 R/TP
		R314	0RJ1000D677	100 OHM 1/10 W 5% 1608 R/TP
		R315	0RJ1000D677	100 OHM 1/10 W 5% 1608 R/TP
		R316	0RJ1000D677	100 OHM 1/10 W 5% 1608 R/TP
		R317	0RH4701D622	4.7K 1/10W 5 D,R/TP
		R318	0RH4701D622	4.7K 1/10W 5 D,R/TP
		R322	0RJ0222D677	22 OHM 1/10 W 5% 1608 R/TP
		R323	0RJ0222D677	22 OHM 1/10 W 5% 1608 R/TP
		R325	0RJ4703D677	470K OHM 1/10 W 5% 1608 R/TP
		R330	0RJ0000D677	0 OHM 1/10 W 5% 1608 R/TP
		R331	0RJ0000D677	0 OHM 1/10 W 5% 1608 R/TP
		R332	0RJ0000D677	0 OHM 1/10 W 5% 1608 R/TP

DATE: 2003. 06. 12.				
*S	*AL	LOC. NO.	PART NO.	DESCRIPTION / SPECIFICATION
		R601	0RJ0000D677	0 OHM 1/10 W 5% 1608 R/TP
		R602	0RJ0222D677	22 OHM 1/10 W 5% 1608 R/TP
		R603	0RJ0222D677	22 OHM 1/10 W 5% 1608 R/TP
		R604	0RJ0752D477	75 OHM 1/10 W 1% 1608 R/TP
		R606	0RJ0752D477	75 OHM 1/10 W 1% 1608 R/TP
		R608	0RJ0752D477	75 OHM 1/10 W 1% 1608 R/TP
		R613	0RJ1000D677	100 OHM 1/10 W 5% 1608 R/TP
		R615	0RJ1000D677	100 OHM 1/10 W 5% 1608 R/TP
		R617	0RJ1000D677	100 OHM 1/10 W 5% 1608 R/TP
		R628	0RJ0102D677	10 OHM 1/10 W 5% 1608 R/TP
		R629	0RJ0102D677	10 OHM 1/10 W 5% 1608 R/TP
		R630	0RJ0102D677	10 OHM 1/10 W 5% 1608 R/TP
		R632	0RH0102D622	10 1/10W 5 D.R/TP
		R634	0RH4701D622	4.7K 1/10W 5 D.R/TP
		R705	0RJ4701D677	4.7K OHM 1/10 W 5% 1608 R/TP
		R706	0RJ4701D677	4.7K OHM 1/10 W 5% 1608 R/TP
		R707	0RJ3301D677	3.3K OHM 1/10 W 5% 1608 R/TP
		R708	0RJ3301D677	3.3K OHM 1/10 W 5% 1608 R/TP
		R709	0RJ4701D677	4.7K OHM 1/10 W 5% 1608 R/TP
		R710	0RJ4701D677	4.7K OHM 1/10 W 5% 1608 R/TP
		R711	0RJ0000D677	0 OHM 1/10 W 5% 1608 R/TP
		R712	0RJ1000D677	100 OHM 1/10 W 5% 1608 R/TP
		R713	0RJ1002D677	10K OHM 1/10 W 5% 1608 R/TP
		R714	0RJ1002D677	10K OHM 1/10 W 5% 1608 R/TP
		R715	0RJ1002D677	10K OHM 1/10 W 5% 1608 R/TP
		R716	0RJ1000D677	100 OHM 1/10 W 5% 1608 R/TP
		R717	0RJ1000D677	100 OHM 1/10 W 5% 1608 R/TP
		R718	0RJ1000D677	100 OHM 1/10 W 5% 1608 R/TP
		R719	0RJ1000D677	100 OHM 1/10 W 5% 1608 R/TP
		R720	0RJ3301D677	3.3K OHM 1/10 W 5% 1608 R/TP
		R721	0RJ0000D677	0 OHM 1/10 W 5% 1608 R/TP
		R722	0RJ3301D677	3.3K OHM 1/10 W 5% 1608 R/TP
		R723	0RJ0000D677	0 OHM 1/10 W 5% 1608 R/TP
		R724	0RJ0000D677	0 OHM 1/10 W 5% 1608 R/TP
		R728	0RJ0000D677	0 OHM 1/10 W 5% 1608 R/TP
		R729	0RJ0000D677	0 OHM 1/10 W 5% 1608 R/TP
		R730	0RJ0000D677	0 OHM 1/10 W 5% 1608 R/TP
		R731	0RJ0000D677	0 OHM 1/10 W 5% 1608 R/TP
		R732	0RJ0000D677	0 OHM 1/10 W 5% 1608 R/TP
		R733	0RJ0000D677	0 OHM 1/10 W 5% 1608 R/TP
		R734	0RJ0000D677	0 OHM 1/10 W 5% 1608 R/TP
		R735	0RJ1001D477	1K OHM 1/10 W 1% 1608 R/TP
		R736	0RJ0752D477	75 OHM 1/10 W 1% 1608 R/TP
		R737	0RJ0752D477	75 OHM 1/10 W 1% 1608 R/TP
		R738	0RJ0752D477	75 OHM 1/10 W 1% 1608 R/TP
		R739	0RJ0752D477	75 OHM 1/10 W 1% 1608 R/TP
		R740	0RJ0752D477	75 OHM 1/10 W 1% 1608 R/TP
		R741	0RJ0752D477	75 OHM 1/10 W 1% 1608 R/TP
		R773	0RJ0222D677	22 OHM 1/10 W 5% 1608 R/TP
		R774	0RJ0222D677	22 OHM 1/10 W 5% 1608 R/TP
		R801	0RJ0000D677	0 OHM 1/10 W 5% 1608 R/TP
		R803	0RJ1202D677	12K OHM 1/10 W 5% 1608 R/TP
		R805	0RJ0000D677	0 OHM 1/10 W 5% 1608 R/TP
		R806	0RJ1001D477	1K OHM 1/10 W 1% 1608 R/TP
		R807	0RJ1001D477	1K OHM 1/10 W 1% 1608 R/TP
		R808	0RJ1001D477	1K OHM 1/10 W 1% 1608 R/TP
		R810	0RJ3900D677	390 OHM 1/10 W 5% 1608 R/TP
		R812	0RJ1202D677	12K OHM 1/10 W 5% 1608 R/TP
		R814	0RJ0000D677	0 OHM 1/10 W 5% 1608 R/TP
		R816	0RJ1002D677	10K OHM 1/10 W 5% 1608 R/TP
		R817	0RJ1002D677	10K OHM 1/10 W 5% 1608 R/TP
		R818	0RJ1002D677	10K OHM 1/10 W 5% 1608 R/TP

DATE: 2003. 06. 12.				
*S	*AL	LOC. NO.	PART NO.	DESCRIPTION / SPECIFICATION
		R819	0RJ1002D677	10K OHM 1/10 W 5% 1608 R/TP
		R840	0RJ1202D677	12K OHM 1/10 W 5% 1608 R/TP
		R841	0RJ1000D677	100 OHM 1/10 W 5% 1608 R/TP
		R842	0RJ2001D677	2K OHM 1/10 W 5% 1608 R/TP
		R901	0RJ1001D477	1K OHM 1/10 W 1% 1608 R/TP
		R903	0RJ0000D677	0 OHM 1/10 W 5% 1608 R/TP
		R904	0RJ1002D677	10K OHM 1/10 W 5% 1608 R/TP
		R905	0RJ0222D677	22 OHM 1/10 W 5% 1608 R/TP
		R906	0RJ0222D677	22 OHM 1/10 W 5% 1608 R/TP
		R907	0RJ1502D677	15K OHM 1/10 W 5% 1608 R/TP
		R908	0RJ1502D677	15K OHM 1/10 W 5% 1608 R/TP
		R909	0RJ1002D677	10K OHM 1/10 W 5% 1608 R/TP
		R910	0RJ0222D677	22 OHM 1/10 W 5% 1608 R/TP
		R911	0RJ1501D677	1.5K OHM 1/10 W 5% 1608 R/TP
		R912	0RJ0222D677	22 OHM 1/10 W 5% 1608 R/TP
		R913	0RJ4701D677	4.7K OHM 1/10 W 5% 1608 R/TP
		R914	0RJ4701D677	4.7K OHM 1/10 W 5% 1608 R/TP
		R915	0RJ1502D677	15K OHM 1/10 W 5% 1608 R/TP
		R916	0RJ1502D677	15K OHM 1/10 W 5% 1608 R/TP
		R917	0RJ1002D677	10K OHM 1/10 W 5% 1608 R/TP
		R918	0RJ0222D677	22 OHM 1/10 W 5% 1608 R/TP
		R919	0RJ0222D677	22 OHM 1/10 W 5% 1608 R/TP
		R920	0RJ1501D677	1.5K OHM 1/10 W 5% 1608 R/TP
		R921	0RJ1501D677	1.5K OHM 1/10 W 5% 1608 R/TP
		R922	0RJ1502D677	15K OHM 1/10 W 5% 1608 R/TP
		R924	0RJ0000D677	0 OHM 1/10 W 5% 1608 R/TP
		R926	0RJ3301D677	3.3K OHM 1/10 W 5% 1608 R/TP
		R927	0RJ0222D677	22 OHM 1/10 W 5% 1608 R/TP
		R928	0RH0222D622	22 OHM 1 / 10 W 2012 5.00% D
		R929	0RH0222D622	22 OHM 1 / 10 W 2012 5.00% D
		R930	0RH4701D622	4.7K 1/10W 5 D.R/TP
		R931	0RH4701D622	4.7K 1/10W 5 D.R/TP
		R934	0RH4701D622	4.7K 1/10W 5 D.R/TP
		R935	0RH4701D622	4.7K 1/10W 5 D.R/TP
		R936	0RH1002D622	10K OHM 1 / 10 W 2012 5.00%
		R938	0RH3301D622	3.3K 1/10W 5 D.R/TP
		R939	0RH3301D622	3.3K 1/10W 5 D.R/TP
		R940	0RH1002D622	10K OHM 1 / 10 W 2012 5.00%
		R941	0RJ1002D677	10K OHM 1/10 W 5% 1608 R/TP
		R942	0RJ1002D677	10K OHM 1/10 W 5% 1608 R/TP
		R943	0RJ1002D677	10K OHM 1/10 W 5% 1608 R/TP
		R944	0RJ0000D677	0 OHM 1/10 W 5% 1608 R/TP
		RA301	0RHZTCZ001A	100 OHM 1/16 W 5% 3215 R/TP
		RA302	0RHZTCZ001A	100 OHM 1/16 W 5% 3215 R/TP
		RA303	0RHZTCZ001A	100 OHM 1/16 W 5% 3215 R/TP
		RA304	0RHZTCZ001A	100 OHM 1/16 W 5% 3215 R/TP
		RA305	0RHZTCZ001A	100 OHM 1/16 W 5% 3215 R/TP
		RA306	0RHZTCZ001A	100 OHM 1/16 W 5% 3215 R/TP
		RA307	0RHZTCZ001A	100 OHM 1/16 W 5% 3215 R/TP
		RA308	0RHZTCZ001A	100 OHM 1/16 W 5% 3215 R/TP
		RA309	0RHZTCZ001A	100 OHM 1/16 W 5% 3215 R/TP
		RA310	0RHZTCZ001A	100 OHM 1/16 W 5% 3215 R/TP
		RA311	0RHZTCZ001A	100 OHM 1/16 W 5% 3215 R/TP
		RA312	0RHZTCZ001A	100 OHM 1/16 W 5% 3215 R/TP
		RA601	0RHZTCZ001A	100 OHM 1/16 W 5% 3215 R/TP
		RA602	0RHZTCZ001A	100 OHM 1/16 W 5% 3215 R/TP
		RA603	0RHZTCZ001A	100 OHM 1/16 W 5% 3215 R/TP
		RA604	0RHZTCZ001A	100 OHM 1/16 W 5% 3215 R/TP
		RA703	0RHZTCZ001F	RCA SMART 4.7KOHM 1/16 W 5%
		RA704	0RHZTCZ001F	RCA SMART 4.7KOHM 1/16 W 5%

DATE: 2003. 06. 12.

*S	*AL	LOC. NO.	PART NO.	DESCRIPTION / SPECIFICATION
OTHERS				
		T801	6170TCZ014A	EPC17 22UH LM805L
		X301	6212AA2004G	HC-49U TXC 13.5MHZ +/- 30 PP
		X601	6202TST003C	HC-49/SM5H KONY CHIP 20.25MH
		X901	6202TST001C	"SX-1, SUNNY SMD, 6.0MHZ ,50P"
CONTROL BOARD				
		C4	0CK103CK51A	0.01UF 1608 50V 10% R/TP B(Y
		C5	0CK103CK51A	0.01UF 1608 50V 10% R/TP B(Y
		C6	0CK105CF94A	"1UF 1608 16V 80%, -20% R/TP F"
		C7	0CK105CF94A	"1UF 1608 16V 80%, -20% R/TP F"
		C8	0CK104CK56A	0.1UF 1608 50V 10% R/TP X7R
		C9	0CK103CK51A	0.01UF 1608 50V 10% R/TP B(Y
		L1	6210TCE001H	HB-1T2012-301JT CERATEC 2012
		L2	6210TCE001H	HB-1T2012-301JT CERATEC 2012
		L3	6210TCE001H	HB-1T2012-301JT CERATEC 2012
		LED1	ODLBE0048AA	BRIGHT LED ELECTRONICS BL-HK
		Q1	0TR102009AJ	KRC102S NPN SOT-23 TP KEC
		Q2	0TR102009AJ	KRC102S NPN SOT-23 TP KEC
		R1	0RJ0000D677	0 OHM 1/10 W 5% 1608 R/TP
		R2	0RJ2200D677	220 OHM 1/10 W 5% 1608 R/TP
		R3	0RJ4701D677	4.7K OHM 1/10 W 5% 1608 R/TP
		R4	0RJ4701D677	4.7K OHM 1/10 W 5% 1608 R/TP
		R5	0RJ4701D677	4.7K OHM 1/10 W 5% 1608 R/TP
		R6	0RJ4701D677	4.7K OHM 1/10 W 5% 1608 R/TP
		R7	0RJ4701D677	4.7K OHM 1/10 W 5% 1608 R/TP
		R8	0RJ4701D677	4.7K OHM 1/10 W 5% 1608 R/TP
		R9	0RJ4701D677	4.7K OHM 1/10 W 5% 1608 R/TP
		R10	0RJ4701D677	4.7K OHM 1/10 W 5% 1608 R/TP
		R11	0RJ4701D677	4.7K OHM 1/10 W 5% 1608 R/TP
		R12	0RJ4701D677	4.7K OHM 1/10 W 5% 1608 R/TP
		R13	0RJ4701D677	4.7K OHM 1/10 W 5% 1608 R/TP
		R14	0RJ4701D677	4.7K OHM 1/10 W 5% 1608 R/TP
		R17	0RJ2200D677	220 OHM 1/10 W 5% 1608 R/TP
		R18	0RJ0222D677	22 OHM 1/10 W 5% 1608 R/TP
		R19	0RJ0222D677	22 OHM 1/10 W 5% 1608 R/TP
		R20	0RJ1000D677	100 OHM 1/10 W 5% 1608 R/TP
		R21	0RJ0222D677	22 OHM 1/10 W 5% 1608 R/TP
		R22	0RJ0222D677	22 OHM 1/10 W 5% 1608 R/TP
		S1	140-058B	EVQ PB2 05K MATUSHITA NON 12
		S2	140-058B	EVQ PB2 05K MATUSHITA NON 12
		S3	140-058B	EVQ PB2 05K MATUSHITA NON 12
		S4	140-058B	EVQ PB2 05K MATUSHITA NON 12
		S5	140-058B	EVQ PB2 05K MATUSHITA NON 12
		S6	140-058B	EVQ PB2 05K MATUSHITA NON 12
		S7	140-058B	EVQ PB2 05K MATUSHITA NON 12
		S8	140-058B	EVQ PB2 05K MATUSHITA NON 12
		S9	140-058B	EVQ PB2 05K MATUSHITA NON 12
		S10	6600TR1002A	SKQGACE010 J-ALPS NON 12V 50
		U1	0IPRPON001A	"JLC1562BFEL ON SEMI 16P,EIAJ"
		U2	0IPRPON001A	"JLC1562BFEL ON SEMI 16P,EIAJ"
		U3	6726TV0001A	TSOP4838SO1 VISHAY 38.0KHZ H
		ZD1	0DZ560009DA	UDZ S 5.6B TP ROHM-K SOD323
		ZD10	0DZ560009DA	UDZ S 5.6B TP ROHM-K SOD323
		ZD11	0DZ560009DA	UDZ S 5.6B TP ROHM-K SOD323
		ZD12	0DZ560009DA	UDZ S 5.6B TP ROHM-K SOD323
		ZD15	0DZ560009DA	UDZ S 5.6B TP ROHM-K SOD323
		ZD17	0DZ560009DA	UDZ S 5.6B TP ROHM-K SOD323
		ZD2	0DZ560009DA	UDZ S 5.6B TP ROHM-K SOD323
		ZD3	0DZ560009DA	UDZ S 5.6B TP ROHM-K SOD323
		ZD4	0DZ560009DA	UDZ S 5.6B TP ROHM-K SOD323

DATE: 2003. 06. 12.

*S	*AL	LOC. NO.	PART NO.	DESCRIPTION / SPECIFICATION
		ZD5	0DZ560009DA	UDZ S 5.6B TP ROHM-K SOD323
		ZD6	0DZ560009DA	UDZ S 5.6B TP ROHM-K SOD323
		ZD7	0DZ560009DA	UDZ S 5.6B TP ROHM-K SOD323
		ZD8	0DZ560009DA	UDZ S 5.6B TP ROHM-K SOD323
		ZD9	0DZ560009DA	UDZ S 5.6B TP ROHM-K SOD323
INTERFACE BOARD				
		C1	0CN1040K949	0.1M 50V Z F TA52
		C2	0CN1040K949	0.1M 50V Z F TA52
		C3	0CN1040K949	0.1M 50V Z F TA52
		C4	0CN1040K949	0.1M 50V Z F TA52
		C5	0CN1040K949	0.1M 50V Z F TA52
		C6	0CN1040K949	0.1M 50V Z F TA52
		C7	0CN1040K949	0.1M 50V Z F TA52
		C8	0CN1040K949	0.1M 50V Z F TA52
		C9	0CN1040K949	0.1M 50V Z F TA52
		C10	0CN1040K949	0.1M 50V Z F TA52
		C11	0CE337CH638	330UF SHL 25V M FM5 TP5
		C15	0CE337CH638	330UF SHL 25V M FM5 TP5
		D1	0DS113309AA	1SS133 TP ROHM KOREA DO34 90
		D2	0DS113309AA	1SS133 TP ROHM KOREA DO34 90
		L1	125-155K	BFS3550A0FG SAMWHA 3.5*5.0MM
		L2	125-155K	BFS3550A0FG SAMWHA 3.5*5.0MM
		L3	125-155K	BFS3550A0FG SAMWHA 3.5*5.0MM
		L4	125-155K	BFS3550A0FG SAMWHA 3.5*5.0MM
		L5	125-155K	BFS3550A0FG SAMWHA 3.5*5.0MM
		L6	125-155K	BFS3550A0FG SAMWHA 3.5*5.0MM
		L7	150-235C	DR8*11 100UH 0.4MM 53.5T
		L8	6140TBZ016H	" - DR10*7,0.5MM 22UH,L2320A"
		L9	6140TBZ016H	" - DR10*7,0.5MM 22UH,L2320A"
		L10	6140TBZ016H	" - DR10*7,0.5MM 22UH,L2320A"
		LED1	ODLBE0059AA	BRIGHT LED ELECTRONICS BL-BB
		LED2	ODLBE0059AA	BRIGHT LED ELECTRONICS BL-BB
		Q1	0TR114009AB	DTC114ES TP ROHM-K SPT NPN
		Q3	0TR102709AA	KTC1027-Y(KTC2235) TP KEC TO
		R1	0RD2400Q609	240 OHM 1/4 W (3.4) 5% TA52
		R2	0RD2400Q609	240 OHM 1/4 W (3.4) 5% TA52
		R3	0RD3300Q509	330 OHM 1/4 W (3.4) 2% TA52
		R8	0RD1001Q609	1K 1/4W(3 5% TA52
		R9	0RN2001F409	2K OHM 1/6 W 1.00% TA52
		R10	0RN2001F409	2K OHM 1/6 W 1.00% TA52
		R11	0RD2202Q609	22K 1/4W(3 5% TA52
		R12	0RD1201Q609	1.20K 1/4W(3 5% TA52
		R13	0RN2001F409	2K OHM 1/6 W 1.00% TA52
		R15	0RD2001A609	2.0K OHM 1/2 W (7.0) 5% TA52
		R16	0RD0101A609	1 OHM 1/2 W (7.0) 5% TA52
		TH1	6322TB1031A	TC310H39GBUEP THERMO. 10K OH
		U1	0ISS358000C	"KA358 FAIRCHILD 8P,DIP ST OP"
SOUND BOARD				
		C3	0CH8476F691	47UF 16V 20% 105STD (CYL) R/
		C4	0CH8476F691	47UF 16V 20% 105STD (CYL) R/
		C5	0CK104CK56A	0.1UF 1608 50V 10% R/TP X7R
		C8	0CK104CK56A	0.1UF 1608 50V 10% R/TP X7R
		C9	0CK104CK56A	0.1UF 1608 50V 10% R/TP X7R
		C12	0CH8476F691	47UF 16V 20% 105STD (CYL) R/
		C13	0CH8476F691	47UF 16V 20% 105STD (CYL) R/
		C18	0CH3222K516	2200PF 50V K B 2012 R/TP
		C19	0CH3222K516	2200PF 50V K B 2012 R/TP
		C45	0CH8476F691	47UF 16V 20% 105STD (CYL) R/

DATE: 2003.06. 12.				
*S	*AL	LOC. NO.	PART NO.	DESCRIPTION / SPECIFICATION
		C46	0CH8476F691	47UF 16V 20% 105STD (CYL) R/
		C47	0CC560CK41A	56PF 1608 50V 5% R/TP NP0
		C48	0CC560CK41A	56PF 1608 50V 5% R/TP NP0
		C49	0CC560CK41A	56PF 1608 50V 5% R/TP NP0
		C50	0CC3R3CK01A	3.3PF 1608 50V 0.25 PF R/TP
		C51	0CC3R3CK01A	3.3PF 1608 50V 0.25 PF R/TP
		C52	0CK104CK56A	0.1UF 1608 50V 10% R/TP X7R
		C53	0CK103CK51A	0.01UF 1608 50V 10% R/TP B(Y
		C54	0CK103CK51A	0.01UF 1608 50V 10% R/TP B(Y
		C55	0CH8475J611	4.7UF 35V M 85STD(CYL) R/TP
		C56	0CK104CK56A	0.1UF 1608 50V 10% R/TP X7R
		C57	0CK104CK56A	0.1UF 1608 50V 10% R/TP X7R
		C58	0CH8106F611	10UF 16V M 85STD(CYL) R/TP
		C59	0CE477EF638	470UF KMG 16V M FM5 TP 5
		C60	0CK104CK56A	0.1UF 1608 50V 10% R/TP X7R
		C134	0CK222CK51A	2200PF 1608 50V 10% R/TP B(Y
		C135	0CK222CK51A	2200PF 1608 50V 10% R/TP B(Y
		C136	0CK222CK51A	2200PF 1608 50V 10% R/TP B(Y
		C137	0CK222CK51A	2200PF 1608 50V 10% R/TP B(Y
		C138	0CK222CK51A	2200PF 1608 50V 10% R/TP B(Y
		C139	0CK222CK51A	2200PF 1608 50V 10% R/TP B(Y
		C140	0CK222CK51A	2200PF 1608 50V 10% R/TP B(Y
		C141	0CK222CK51A	2200PF 1608 50V 10% R/TP B(Y
		C238	0CH3474H946	"0.47UF 25V 80%,-20% F(Y5V) 2"
		C239	0CH3474H946	"0.47UF 25V 80%,-20% F(Y5V) 2"
		C240	0CH3474H946	"0.47UF 25V 80%,-20% F(Y5V) 2"
		C241	0CH3474H946	"0.47UF 25V 80%,-20% F(Y5V) 2"
		C242	0CH3474H946	"0.47UF 25V 80%,-20% F(Y5V) 2"
		C243	0CH3474H946	"0.47UF 25V 80%,-20% F(Y5V) 2"
		C244	0CH3474H946	"0.47UF 25V 80%,-20% F(Y5V) 2"
		C245	0CH3474H946	"0.47UF 25V 80%,-20% F(Y5V) 2"
		C247	0CK103CK51A	0.01UF 1608 50V 10% R/TP B(Y
		C248	0CH8106F611	10UF 16V M 85STD(CYL) R/TP
		C249	0CE107EH638	100UF KMG 25V M FM5 TP 5
		C250	0CK104CK56A	0.1UF 1608 50V 10% R/TP X7R
		C251	0CH8106F611	10UF 16V M 85STD(CYL) R/TP
		C254	0CH8106F611	10UF 16V M 85STD(CYL) R/TP
		C255	0CK104CK56A	0.1UF 1608 50V 10% R/TP X7R
		C301	0CK105CD56A	1UF 1608 10V 10% R/TP X7R
		C302	0CK105CD56A	1UF 1608 10V 10% R/TP X7R
		C304	0CK105CD56A	1UF 1608 10V 10% R/TP X7R
		C305	0CK105CD56A	1UF 1608 10V 10% R/TP X7R
		C337	0CH322K516	2200PF 50V K B 2012 R/TP
		C346	0CH322K516	2200PF 50V K B 2012 R/TP
		D1	0DS226009AA	KDS226 TP KEC SOT-23 80V 30
		D2	0DS226009AA	KDS226 TP KEC SOT-23 80V 30
		D3	0DS226009AA	KDS226 TP KEC SOT-23 80V 30
		D4	0DS226009AA	KDS226 TP KEC SOT-23 80V 30
		D5	0DR190309AA	MBRS190T3 TP MOTOROLA 403A
		ZD1	0DZ360009EB	UDZ 3.6B TP ROHM SOD323 200M
		ZD2	0DZ360009EB	UDZ 3.6B TP ROHM SOD323 200M
		ZD3	0DZ360009EB	UDZ 3.6B TP ROHM SOD323 200M
		ZD5	0DZ560009DA	UDZ S 5.6B TP ROHM-K SOD323
		ZD6	0DZ360009EB	UDZ 3.6B TP ROHM SOD323 200M
		ZD7	0DZ360009EB	UDZ 3.6B TP ROHM SOD323 200M
		ZD8	0DZ360009EB	UDZ 3.6B TP ROHM SOD323 200M
		ZD9	0DZ560009DA	UDZ S 5.6B TP ROHM-K SOD323
		ZD10	0DZ560009DA	UDZ S 5.6B TP ROHM-K SOD323
		ZD11	0DZ560009DA	UDZ S 5.6B TP ROHM-K SOD323
		ZD12	0DZ560009DA	UDZ S 5.6B TP ROHM-K SOD323
		ZD13	0DZ360009EB	UDZ 3.6B TP ROHM SOD323 200M
		ZD14	0DZ360009EB	UDZ 3.6B TP ROHM SOD323 200M
		ZD16	0DZ360009EB	UDZ 3.6B TP ROHM SOD323 200M

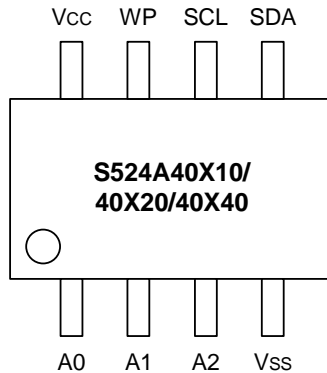
DATE: 2003.06. 12.				
*S	*AL	LOC. NO.	PART NO.	DESCRIPTION / SPECIFICATION
		ZD17	0DZ360009EB	UDZ 3.6B TP ROHM SOD323 200M
		ZD18	0DZ360009EB	UDZ 3.6B TP ROHM SOD323 200M
		ZD19	0DZ360009EB	UDZ 3.6B TP ROHM SOD323 200M
		ZD20	0DZ360009EB	UDZ 3.6B TP ROHM SOD323 200M
		ZD21	0DZ120009CF	UDZ 12B TP ROHM-K SOD323 200
		U1	6612F00025D	PPJ137Y PARK ELEC. WH/RD RCA
		U3	01PRPMN001B	MSP3420G-C12-001 MICRONAS 80
		U7	0ISS780800J	"KA78M08R 3P,D-PAK TP VOL. RE"
		U9	6612J00010A	PPJ128A-1 PARKELEC A/V 2P MO
		U32	0IKE704200J	KIA7042AF SOT-89 TP 4.2V VOL
		L1	6210TCE001A	HB-1S2012-080JT CERATEC 2012
		L2	6210TCE001A	HB-1S2012-080JT CERATEC 2012
		L3	6210TCE001A	HB-1S2012-080JT CERATEC 2012
		L4	6210TCE001A	HB-1S2012-080JT CERATEC 2012
		L5	6210TCE001A	HB-1S2012-080JT CERATEC 2012
		L6	6210TCE001A	HB-1S2012-080JT CERATEC 2012
		L7	6210TCE001A	HB-1S2012-080JT CERATEC 2012
		L8	6210TCE001A	HB-1S2012-080JT CERATEC 2012
		L9	6210TCE001S	HU-1M2012-121 CERATECH 2012M
		L10	6210TCE001S	HU-1M2012-121 CERATECH 2012M
		L11	6210TCE001S	HU-1M2012-121 CERATECH 2012M
		L12	6210TCE001R	HB-1S2012-400JT CERATECH 201
		L13	6210TCE001R	HB-1S2012-400JT CERATECH 201
		L14	6210TCE001S	HU-1M2012-121 CERATECH 2012M
		L15	6210TCE001S	HU-1M2012-121 CERATECH 2012M
		L28	6210TCE001S	HU-1M2012-121 CERATECH 2012M
		Q1	0TR162309CA	KSC1623 TP SAMSUNG SOT23 NP
		Q2	0TR162309CA	KSC1623 TP SAMSUNG SOT23 NP
		Q4	0TR102009AJ	KRC102S NPN SOT-23 TP KEC
		Q5	0TR162309CA	KSC1623 TP SAMSUNG SOT23 NP
		Q6	0TR102009AJ	KRC102S NPN SOT-23 TP KEC
		Q7	0TR150509AD	KTA1505S-Y -T1 TP KEC SOT23
		Q8	0TR162309CA	KSC1623 TP SAMSUNG SOT23 NP
		Q9	0TR150509AD	KTA1505S-Y -T1 TP KEC SOT23
		R1	0RJ4703D677	470K OHM 1/10 W 5% 1608 R/TP
		R2	0RJ0000D677	0 OHM 1/10 W 5% 1608 R/TP
		R4	0RJ0000D677	0 OHM 1/10 W 5% 1608 R/TP
		R6	0RJ4701D677	4.7K OHM 1/10 W 5% 1608 R/TP
		R7	0RJ1002D677	10K OHM 1/10 W 5% 1608 R/TP
		R28	0RJ1001D677	1K OHM 1/10 W 5% 1608 R/TP
		R35	0RJ4703D677	470K OHM 1/10 W 5% 1608 R/TP
		R36	0RJ4703D677	470K OHM 1/10 W 5% 1608 R/TP
		R37	0RJ4703D677	470K OHM 1/10 W 5% 1608 R/TP
		R47	0RJ0332D677	33 OHM 1/10 W 5% 1608 R/TP
		R48	0RJ0332D677	33 OHM 1/10 W 5% 1608 R/TP
		R49	0RJ1000D677	100 OHM 1/10 W 5% 1608 R/TP
		R50	0RJ0332D677	33 OHM 1/10 W 5% 1608 R/TP
		R51	0RJ0332D677	33 OHM 1/10 W 5% 1608 R/TP
		R52	0RJ1001D677	1K OHM 1/10 W 5% 1608 R/TP
		R54	0RJ5602D477	56K OHM 1/10 W 1% 1608 R/TP
		R55	0RJ2702D477	27K OHM 1/10 W 1% 1608 R/TP
		R56	0RJ2702D477	27K OHM 1/10 W 1% 1608 R/TP
		R57	0RJ0332D677	33 OHM 1/10 W 5% 1608 R/TP
		R58	0RJ0332D677	33 OHM 1/10 W 5% 1608 R/TP
		R61	0RJ2202D677	22K OHM 1/10 W 5% 1608 R/TP
		R64	0RJ2202D677	22K OHM 1/10 W 5% 1608 R/TP
		R203	0RJ1002D677	10K OHM 1/10 W 5% 1608 R/TP
		R204	0RJ1001D677	1K OHM 1/10 W 5% 1608 R/TP
		R205	0RJ1001D677	1K OHM 1/10 W 5% 1608 R/TP
		R206	0RJ1001D677	1K OHM 1/10 W 5% 1608 R/TP
		R207	0RJ1001D677	1K OHM 1/10 W 5% 1608 R/TP
		R208	0RJ1001D677	1K OHM 1/10 W 5% 1608 R/TP
		R209	0RJ1001D677	1K OHM 1/10 W 5% 1608 R/TP

DATE: 2003. 06. 12.

*S	*AL	LOC. NO.	PART NO.	DESCRIPTION / SPECIFICATION
		R210	0RJ1001D677	1K OHM 1/10 W 5% 1608 R/TP
		R211	0RJ1001D677	1K OHM 1/10 W 5% 1608 R/TP
		R212	0RJ2002D677	20000 OHM 1/10 W 5% 1608 R/T
		R213	0RJ2002D677	20000 OHM 1/10 W 5% 1608 R/T
		R216	0RJ2002D677	20000 OHM 1/10 W 5% 1608 R/T
		R217	0RJ2002D677	20000 OHM 1/10 W 5% 1608 R/T
		R293	0RJ0332D677	33 OHM 1/10 W 5% 1608 R/TP
		R294	0RJ0332D677	33 OHM 1/10 W 5% 1608 R/TP
		R297	0RJ9102D677	91K OHM 1/10 W 5% 1608 R/TP
		R298	0RJ5602D477	56K OHM 1/10 W 1% 1608 R/TP
		R299	0RJ9102D677	91K OHM 1/10 W 5% 1608 R/TP
		R300	0RJ5602D477	56K OHM 1/10 W 1% 1608 R/TP
		R306	0RJ4700D677	470 OHM 1/10 W 5% 1608 R/TP
		R307	0RJ4700D677	470 OHM 1/10 W 5% 1608 R/TP
		R308	0RJ0332D677	33 OHM 1/10 W 5% 1608 R/TP
		R309	0RJ0332D677	33 OHM 1/10 W 5% 1608 R/TP
		R384	0RJ0472D677	47 OHM 1/10 W 5% 1608 R/TP
		R390	0RJ4703D677	470K OHM 1/10 W 5% 1608 R/TP
		R414	0RJ0472D677	47 OHM 1/10 W 5% 1608 R/TP
		R415	0RJ5602D477	56K OHM 1/10 W 1% 1608 R/TP
		R417	0RJ4703D677	470K OHM 1/10 W 5% 1608 R/TP
		R418	0RJ4703D677	470K OHM 1/10 W 5% 1608 R/TP
		R419	0RJ4703D677	470K OHM 1/10 W 5% 1608 R/TP
		R493	0RJ0000D677	0 OHM 1/10 W 5% 1608 R/TP
		X3	6202TST003B	HC-49/SM5H KONY CHIP 18.432M

PIN CONFIGURATION

S524A40X10/40X20/40X40



NOTE: The S524A40X10/40X20/40X40 is available in 8-pin DIP, SOP, and TSSOP package.

Figure 2-2. Pin Assignment Diagram

Table 2-1. S524A40X10/40X20/40X40 Pin Descriptions

Name	Type	Description	Circuit Type
A0, A1, A2	Input	Input pins for device address selection. To configure a device address, these pins should be connected to the V_{CC} or V_{SS} of the device. These pins are internally pulled down to V_{SS} .	1
V_{SS}	—	Ground pin.	—
SDA	I/O	Bi-directional data pin for the I ² C-bus serial data interface. Schmitt trigger input and open-drain output. An external pull-up resistor must be connected to V_{CC} . Typical values for this pull-up resistor are 4.7 k Ω (100 kHz) and 1 k Ω (400 kHz).	3
SCL	Input	Schmitt trigger input pin for serial clock input.	2
WP	Input	Input pin for hardware write protection control. If you tie this pin to V_{CC} , the write function is disabled to protect previously written data in the entire memory; if you tie it to V_{SS} the write function is enabled. This pin is internally pulled down to V_{SS} .	1
V_{CC}	—	Single power supply.	—

NOTE: See the following page for diagrams of pin circuit types 1, 2, and 3.

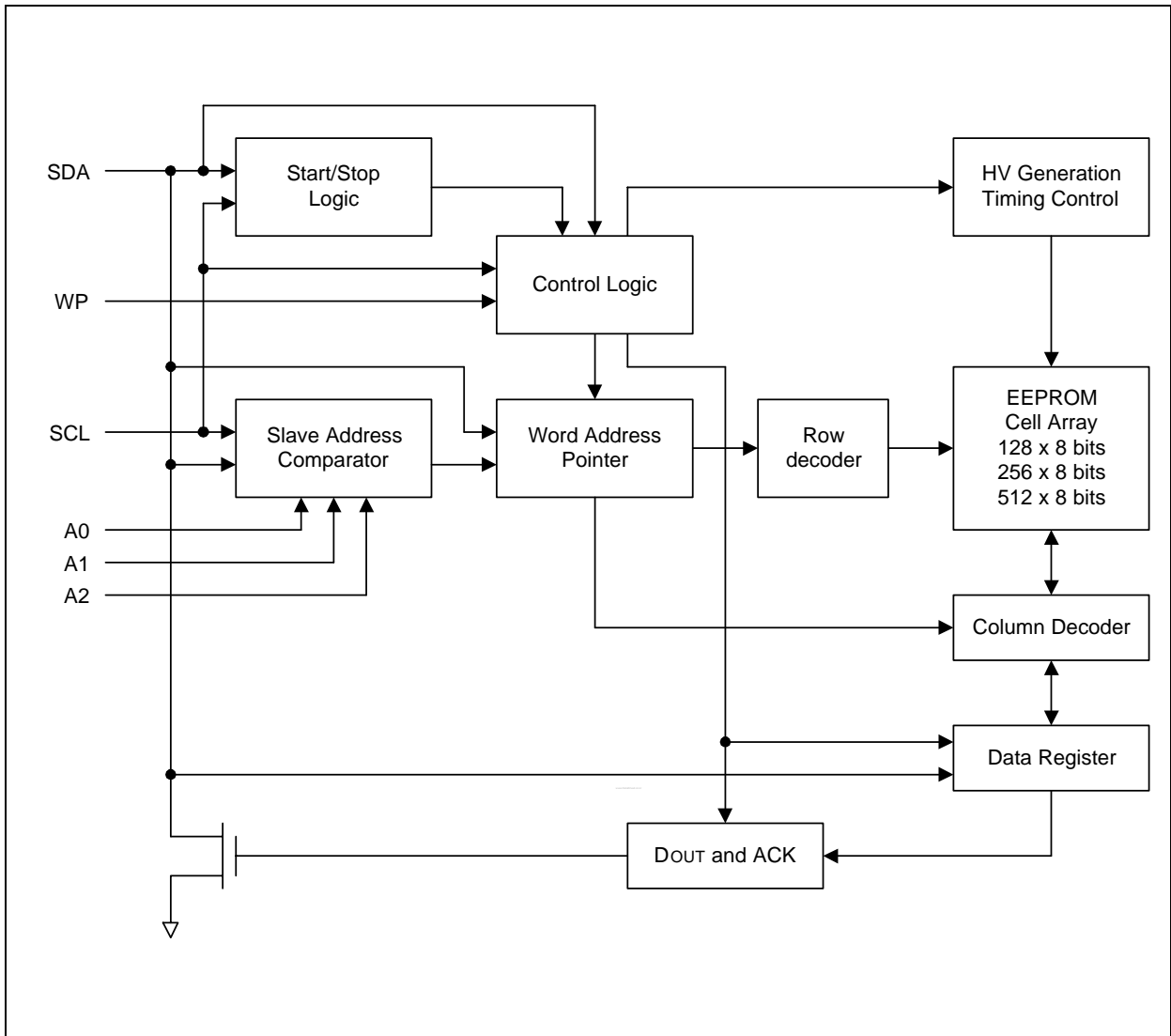
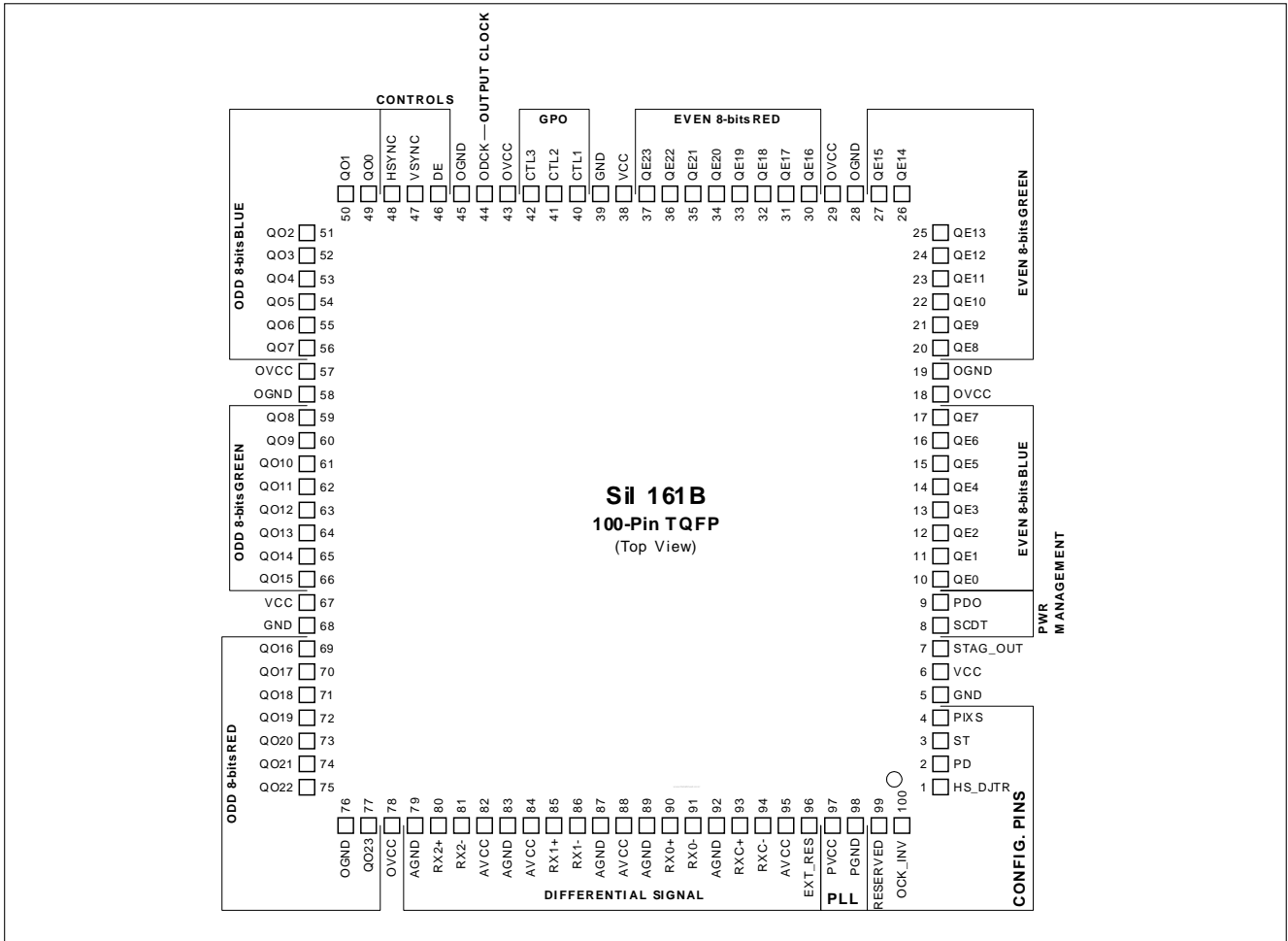
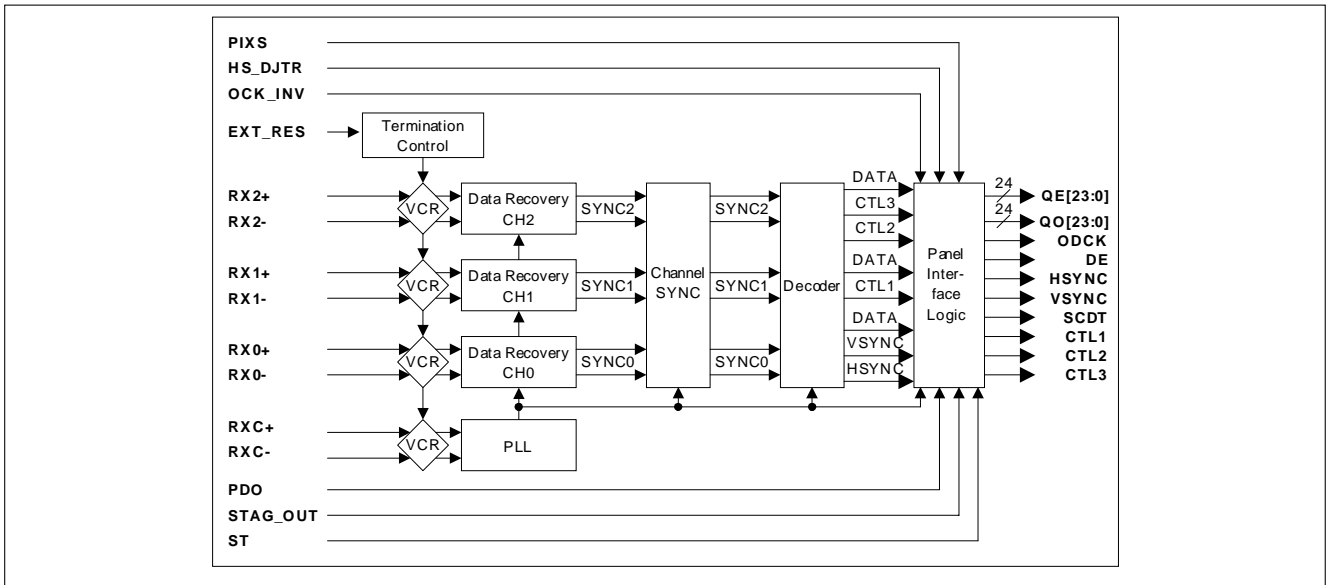


Figure 2-1. S524A40X10/40X20/40X40 Block Diagram

SIL161BCT100

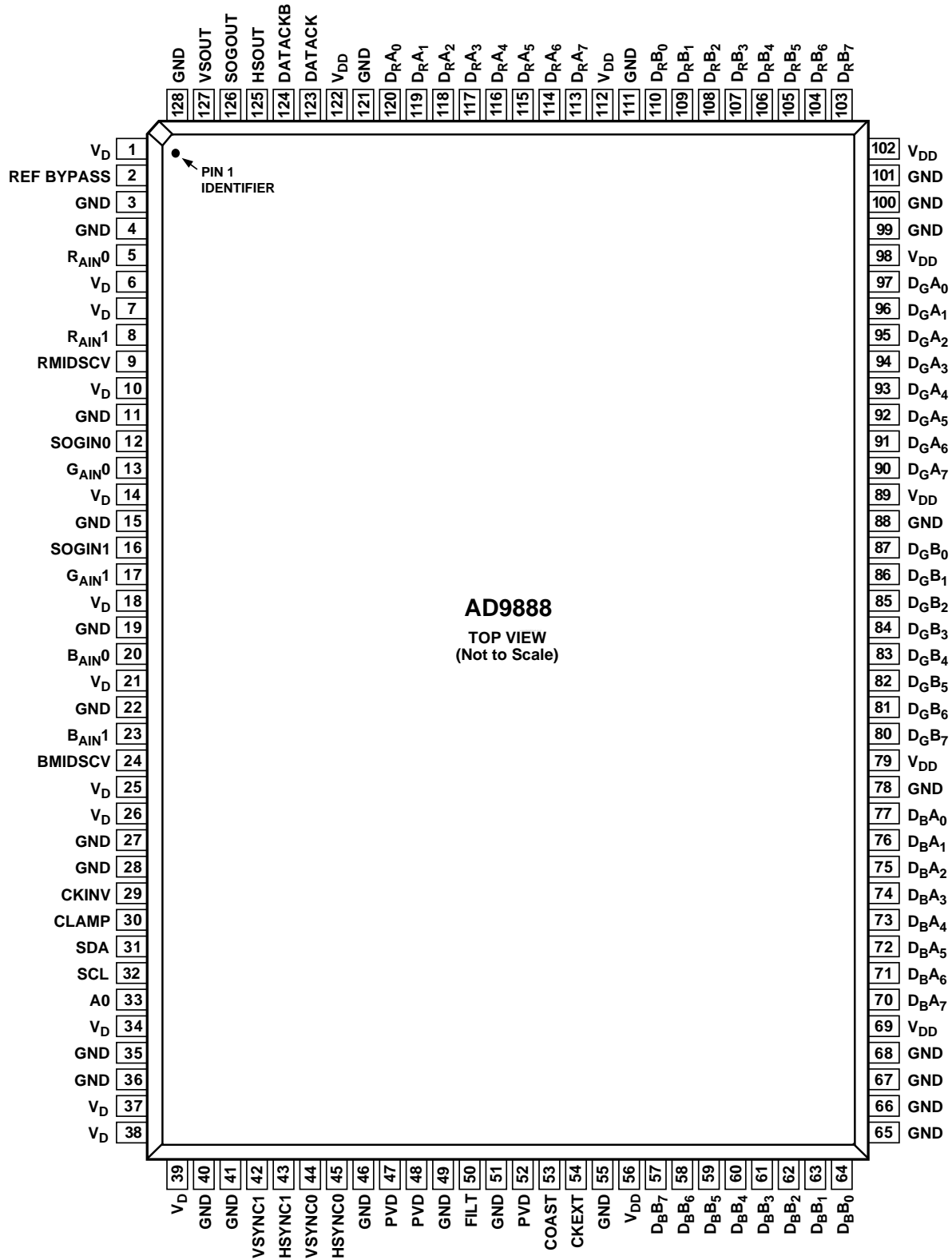


PIN CONFIGURATION

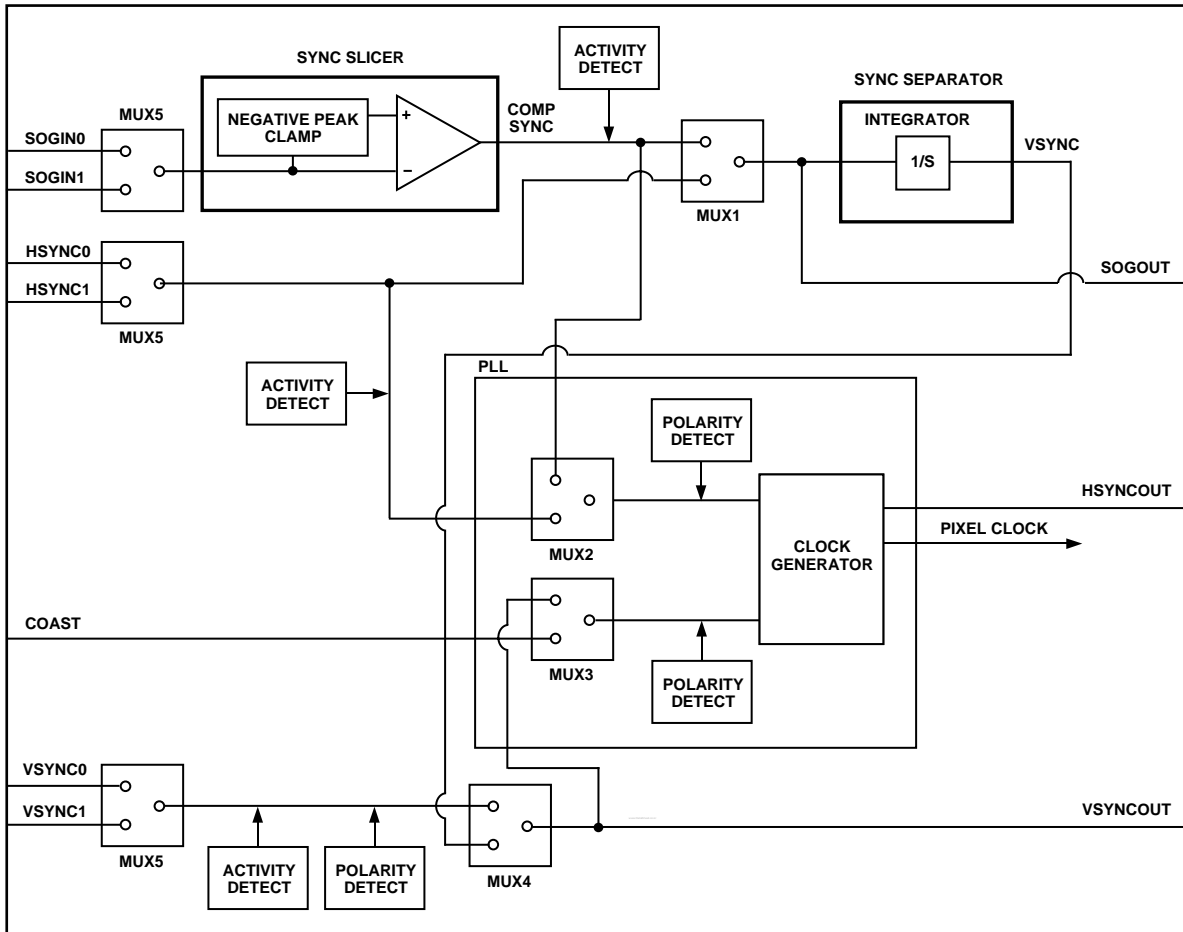


BLOCK DIAGRAM

AD988KS-205 ANALOG



PIN CONFIGURATION

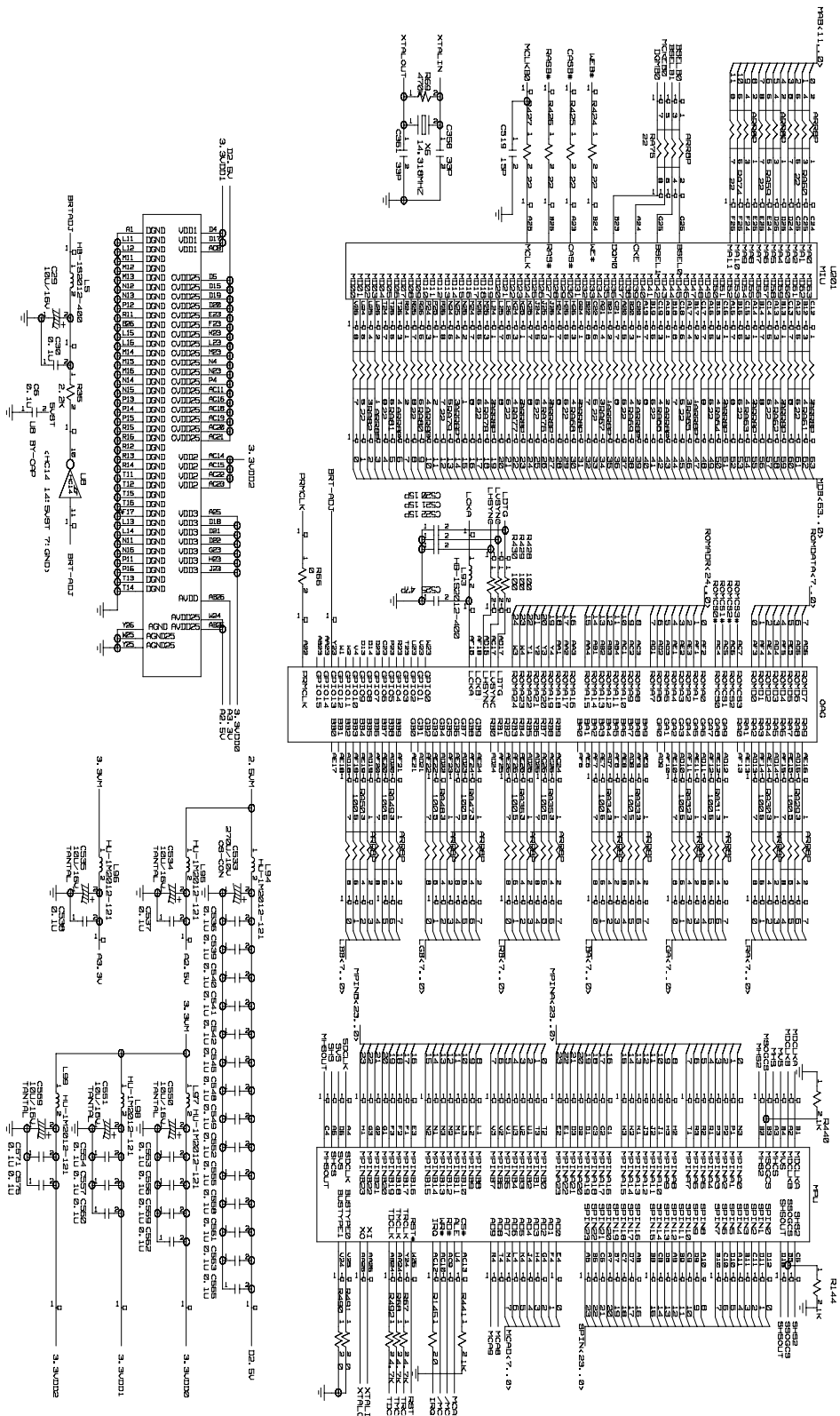


BLOCK DIAGRAM

SCHEMATIC DIAGRAM

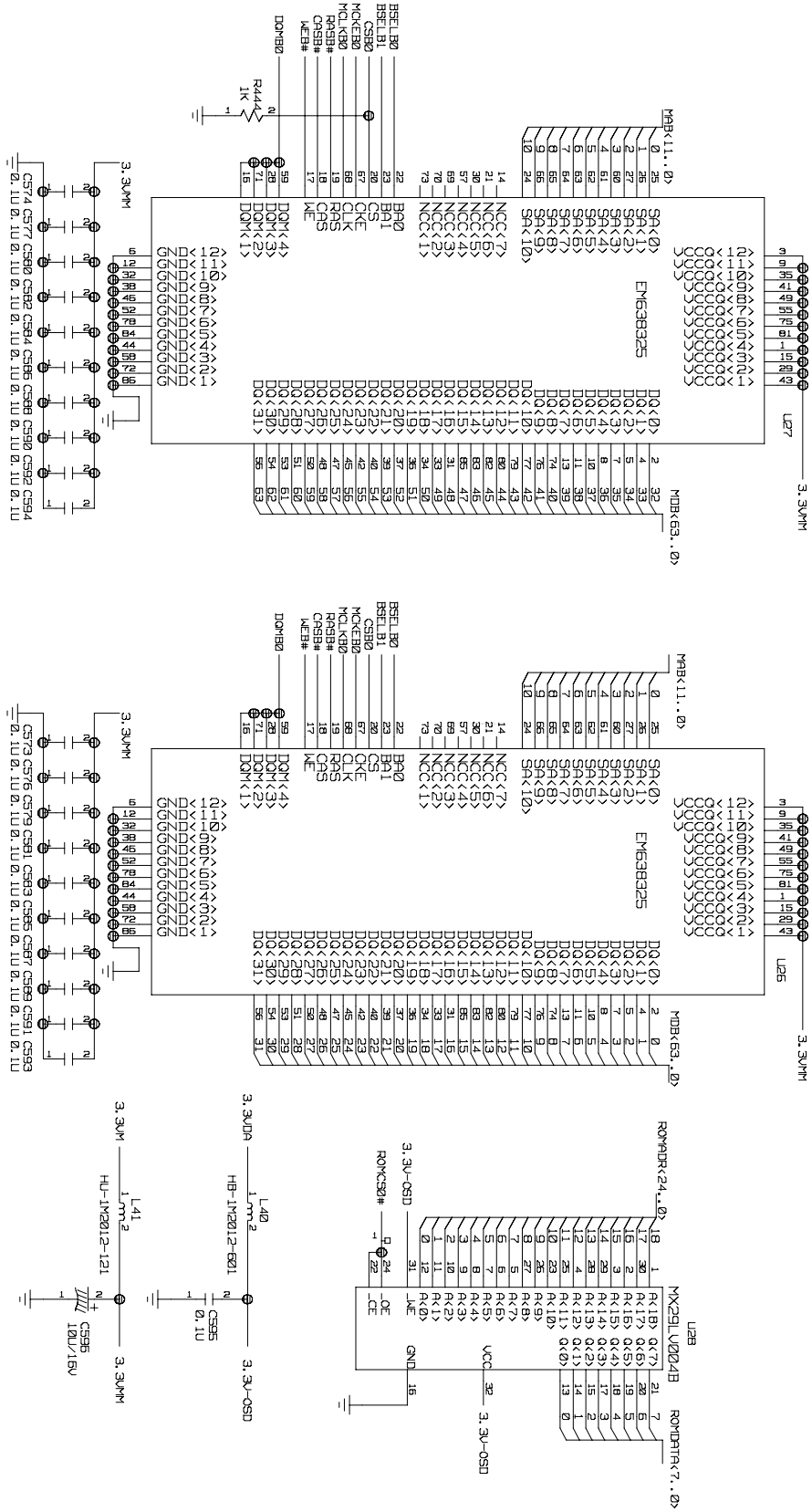
1. SCALER

1 M3820AL
(SCALER)



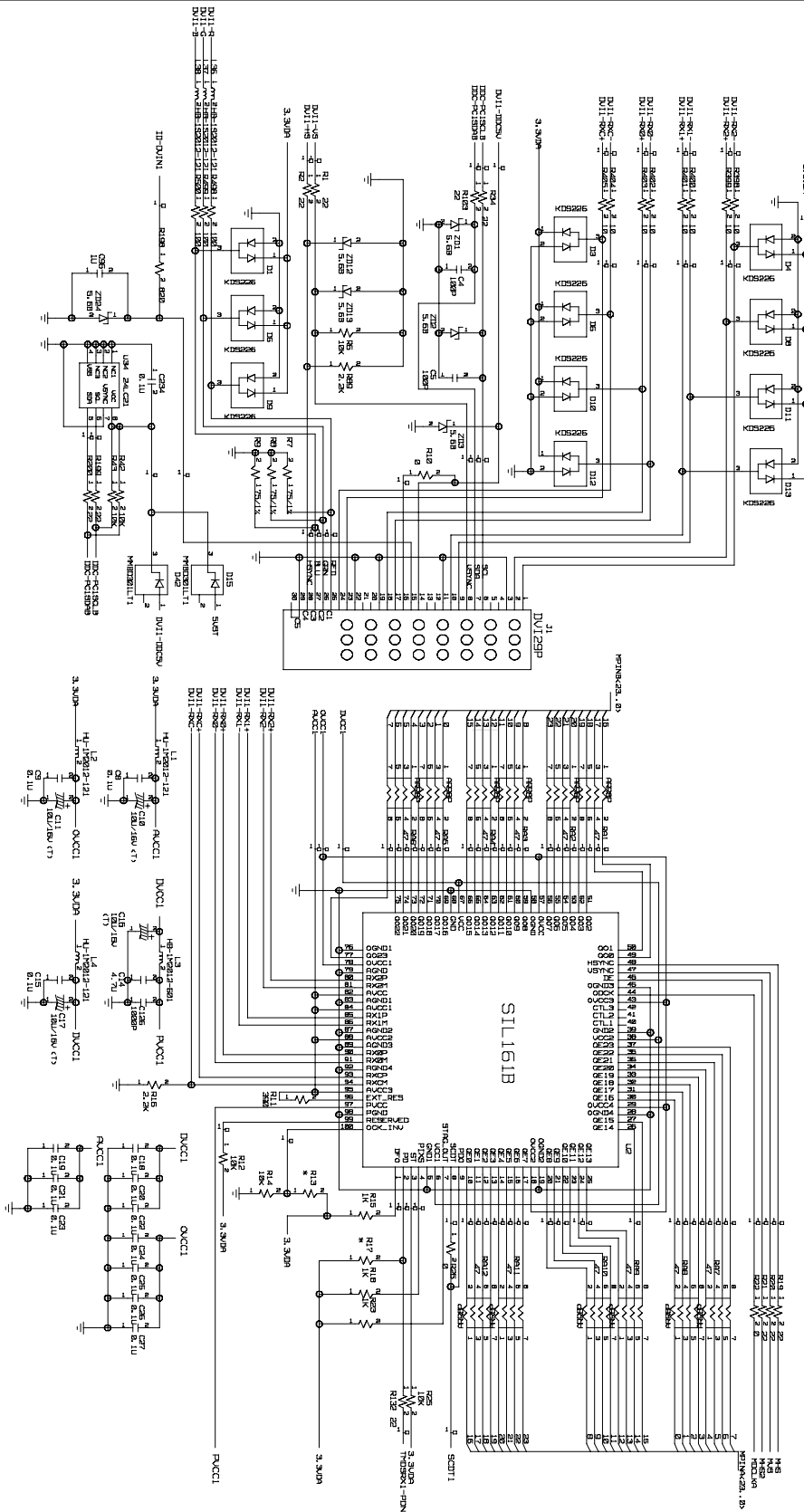
2. MEMORY

2 L2320AL

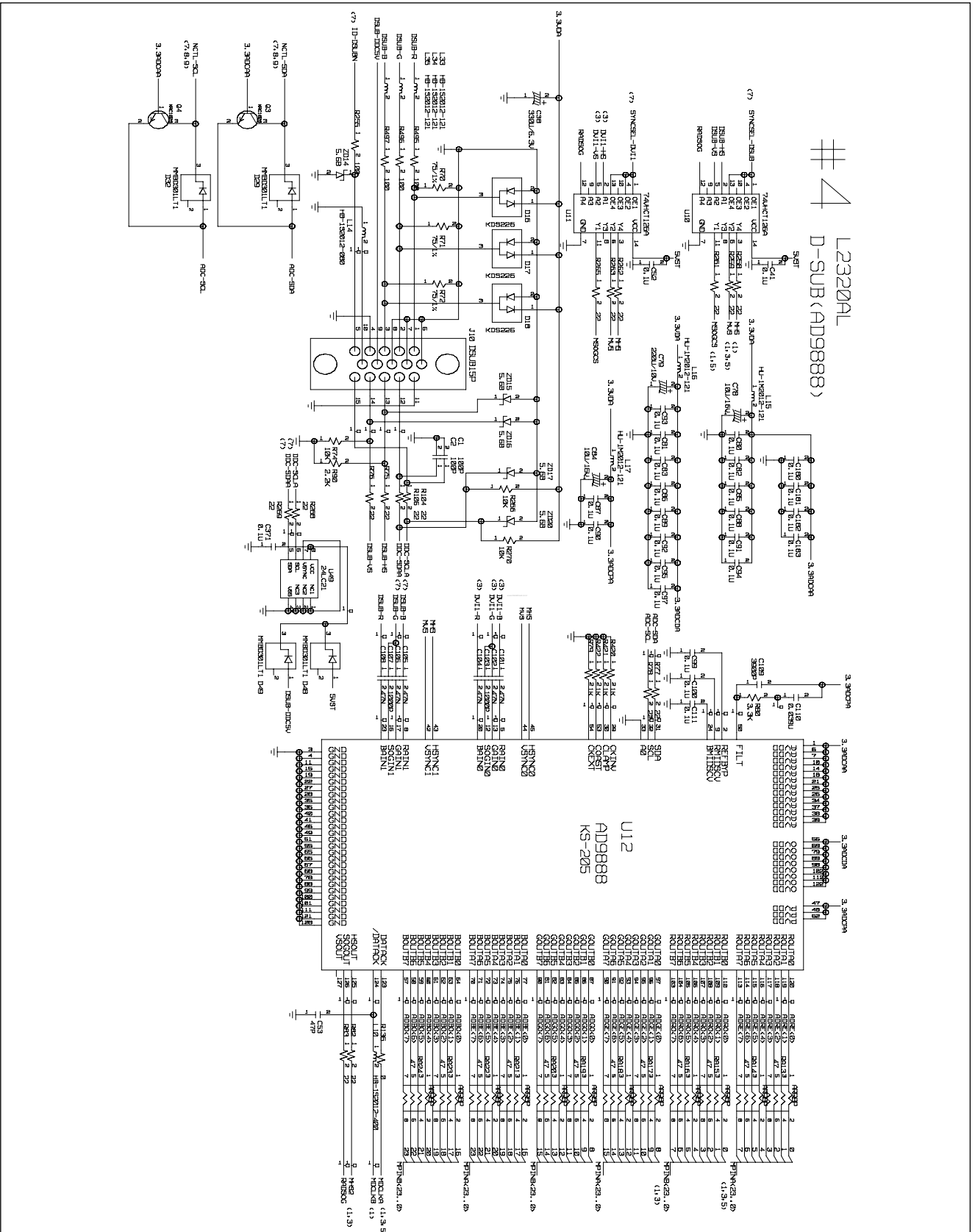


3. DVI-I

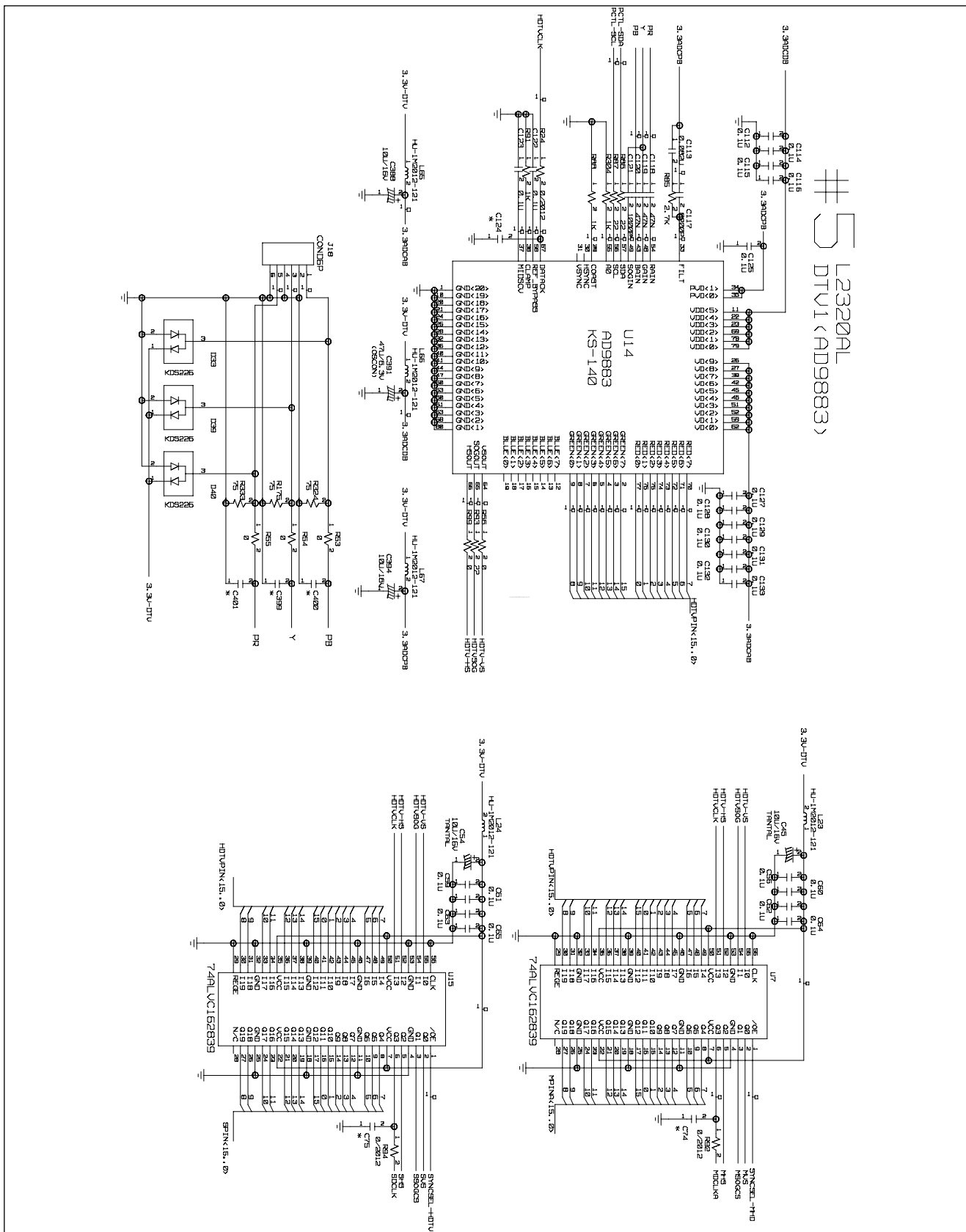
#3 L2320AL DVI-I (TMDS) RECEIVER: SIL161B



4. D-SUB

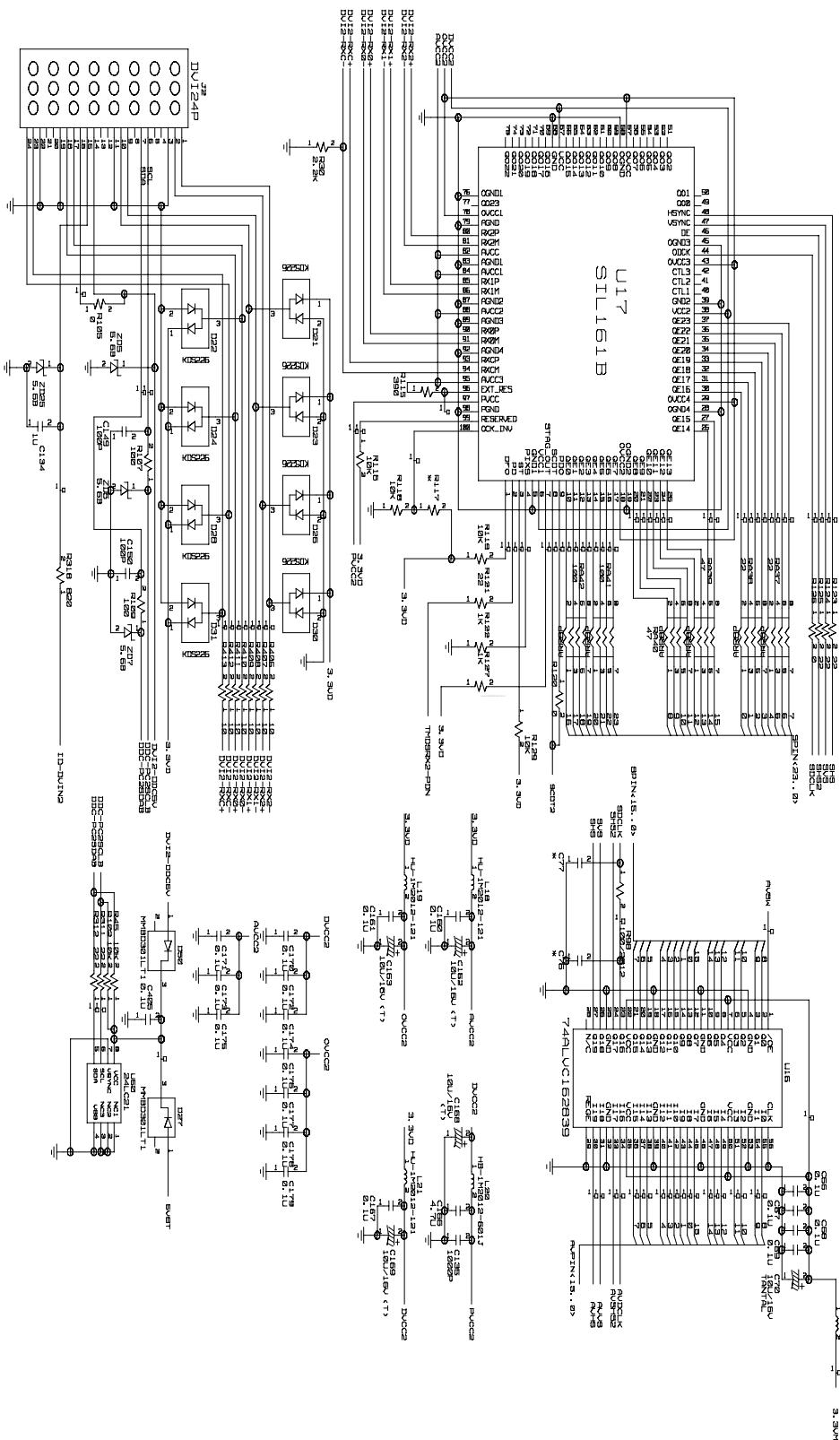


5. DTV1(ADD9883)



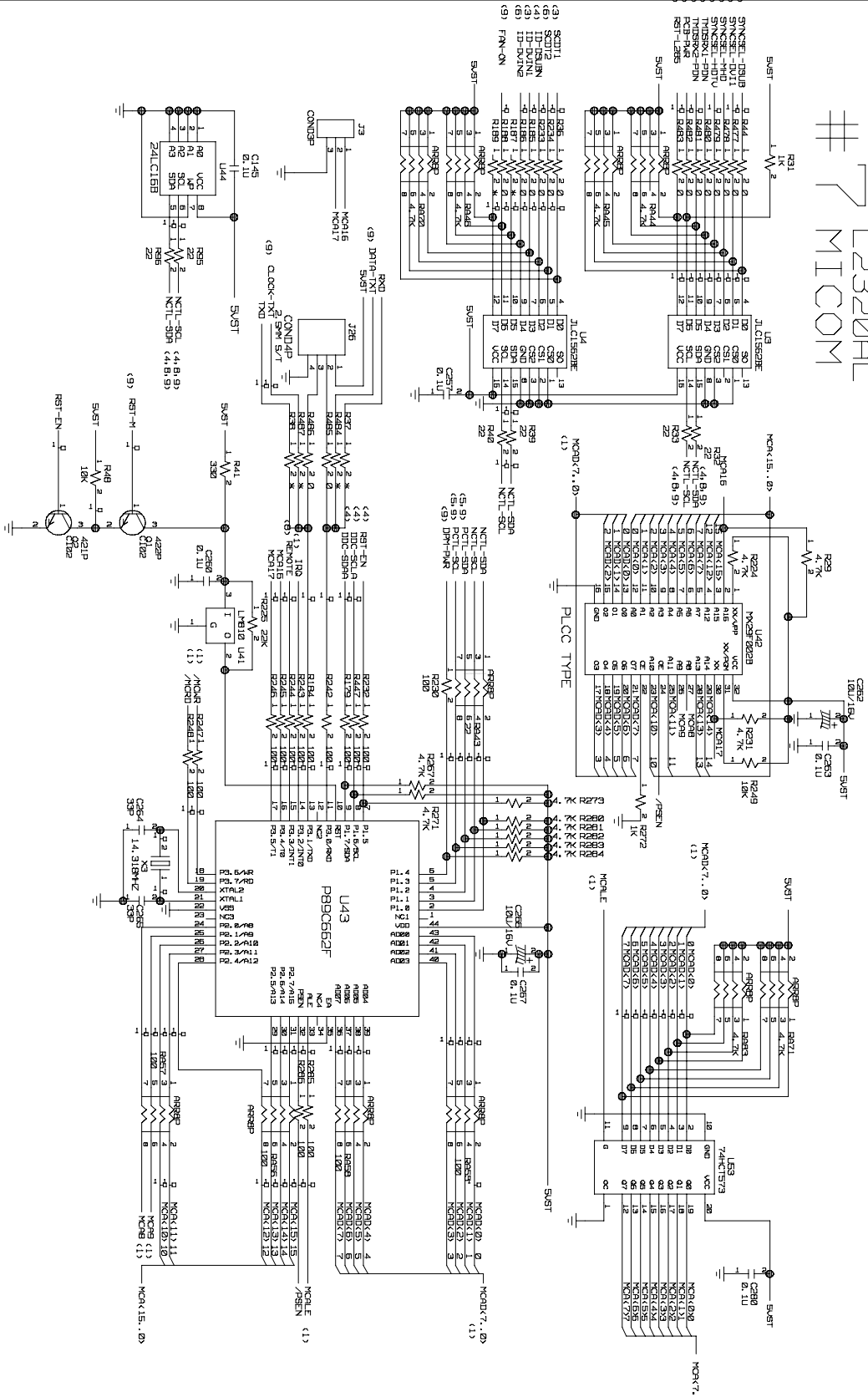
6. DVI-D/DTV2

L2320AL
DVI-D (TMS) RECEIVER: SIL161A / DTU2 (AD9883)

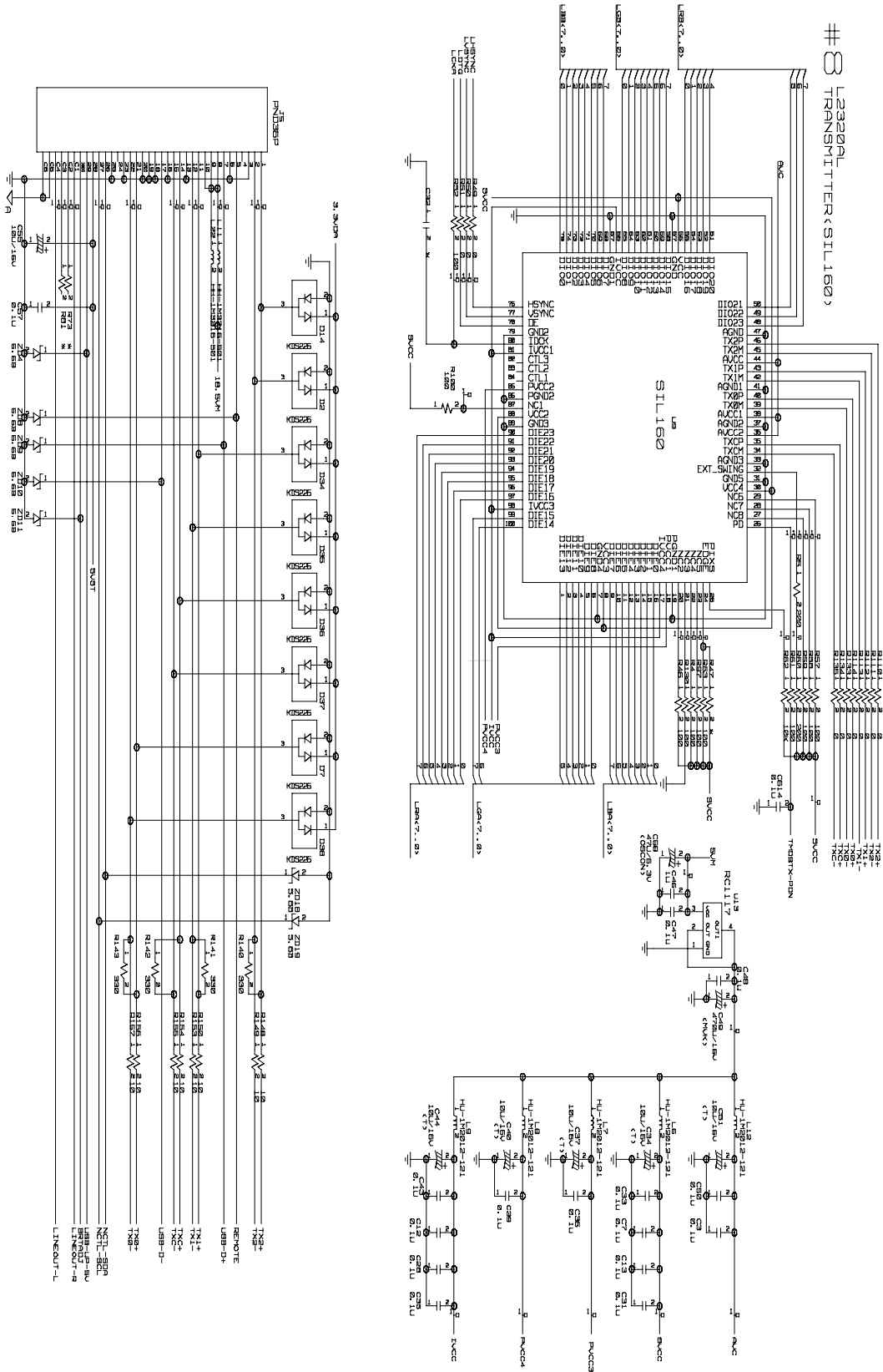


7. MICOM

#7 L2320AL MICOM

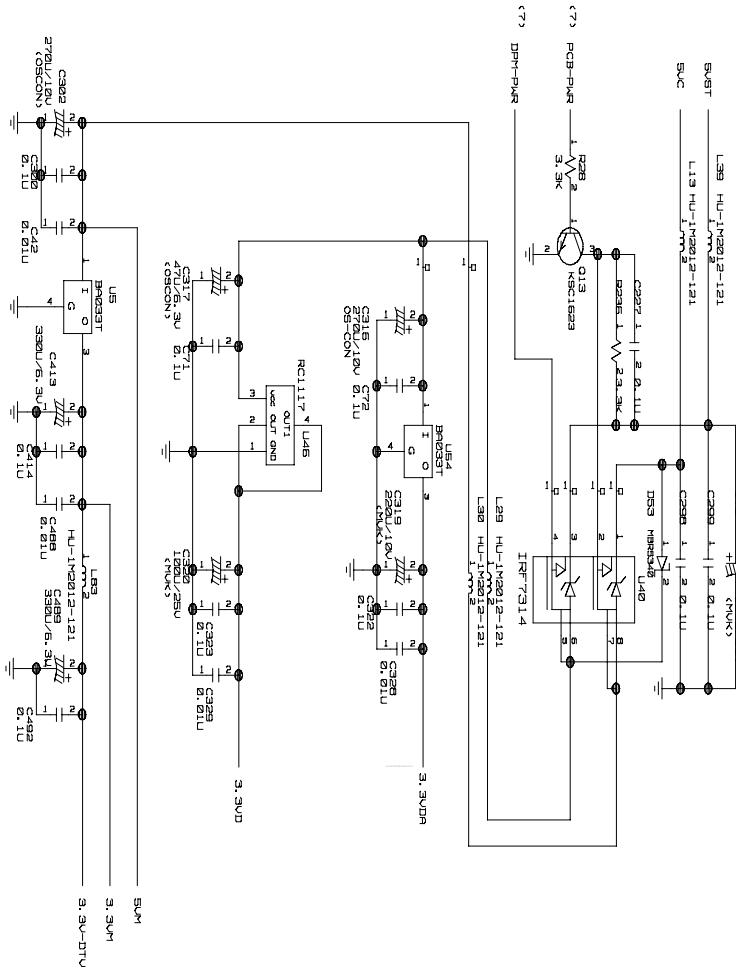


8. TRANSMITTER

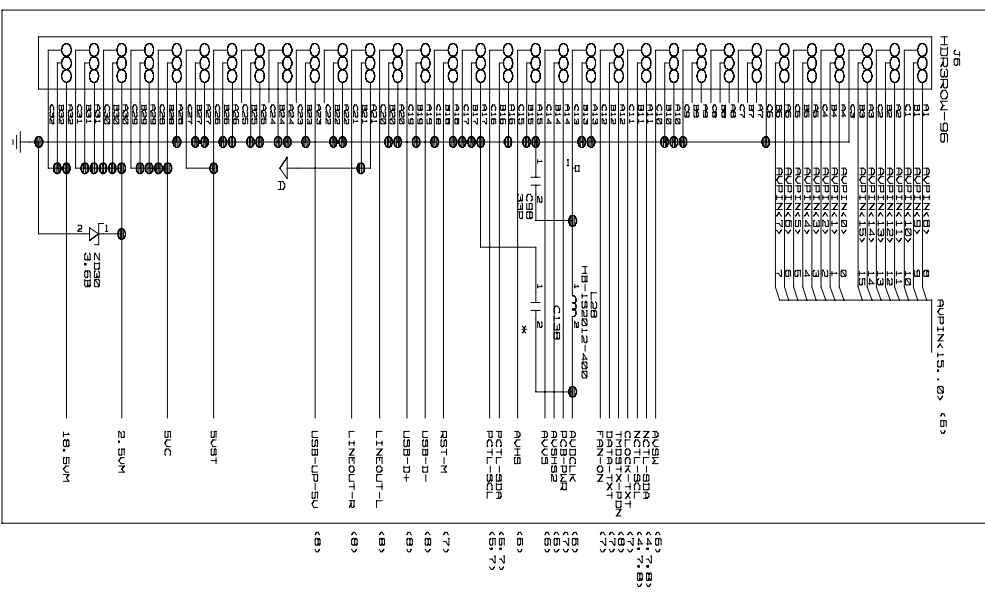


9. POWER & B TO B CONNECTOR

L2320AL POWER & B TO B CONNECTOR

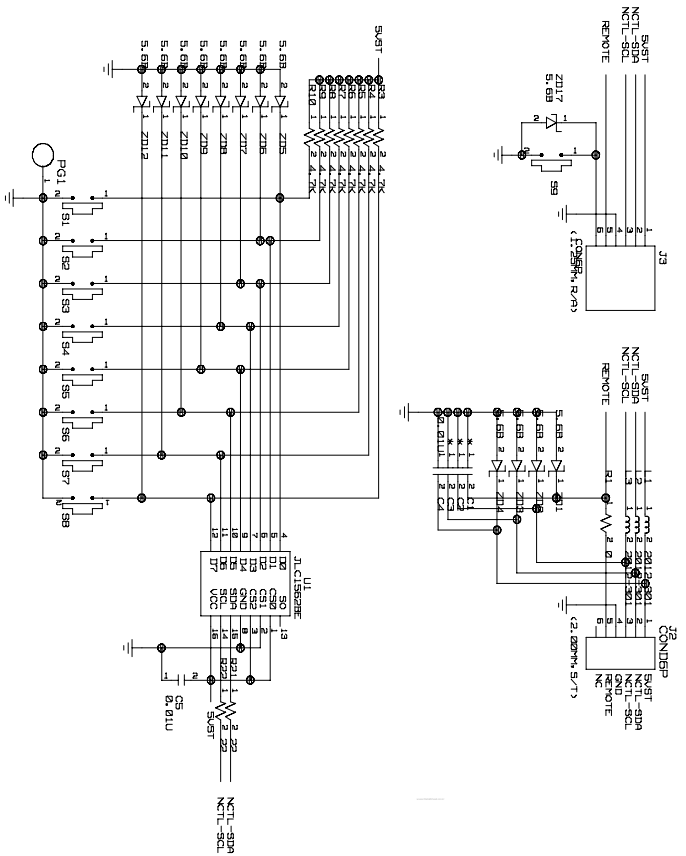


B TO B CONNECTOR

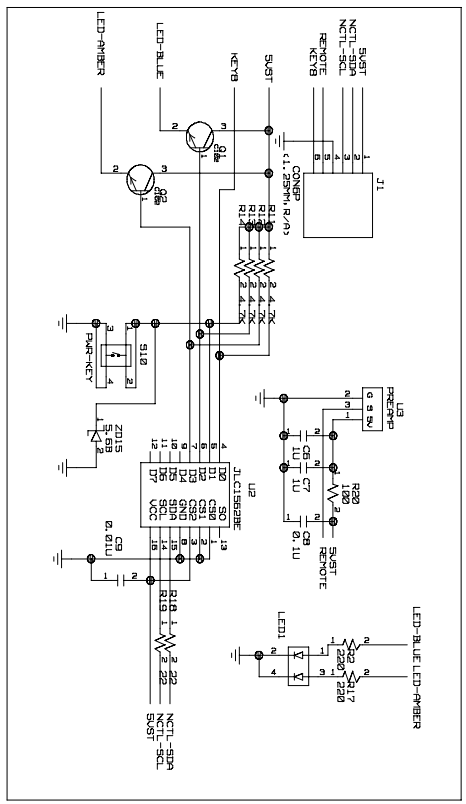


10. KEY & POWER-KEY

1 L23204L
KEY & POWER-KEY

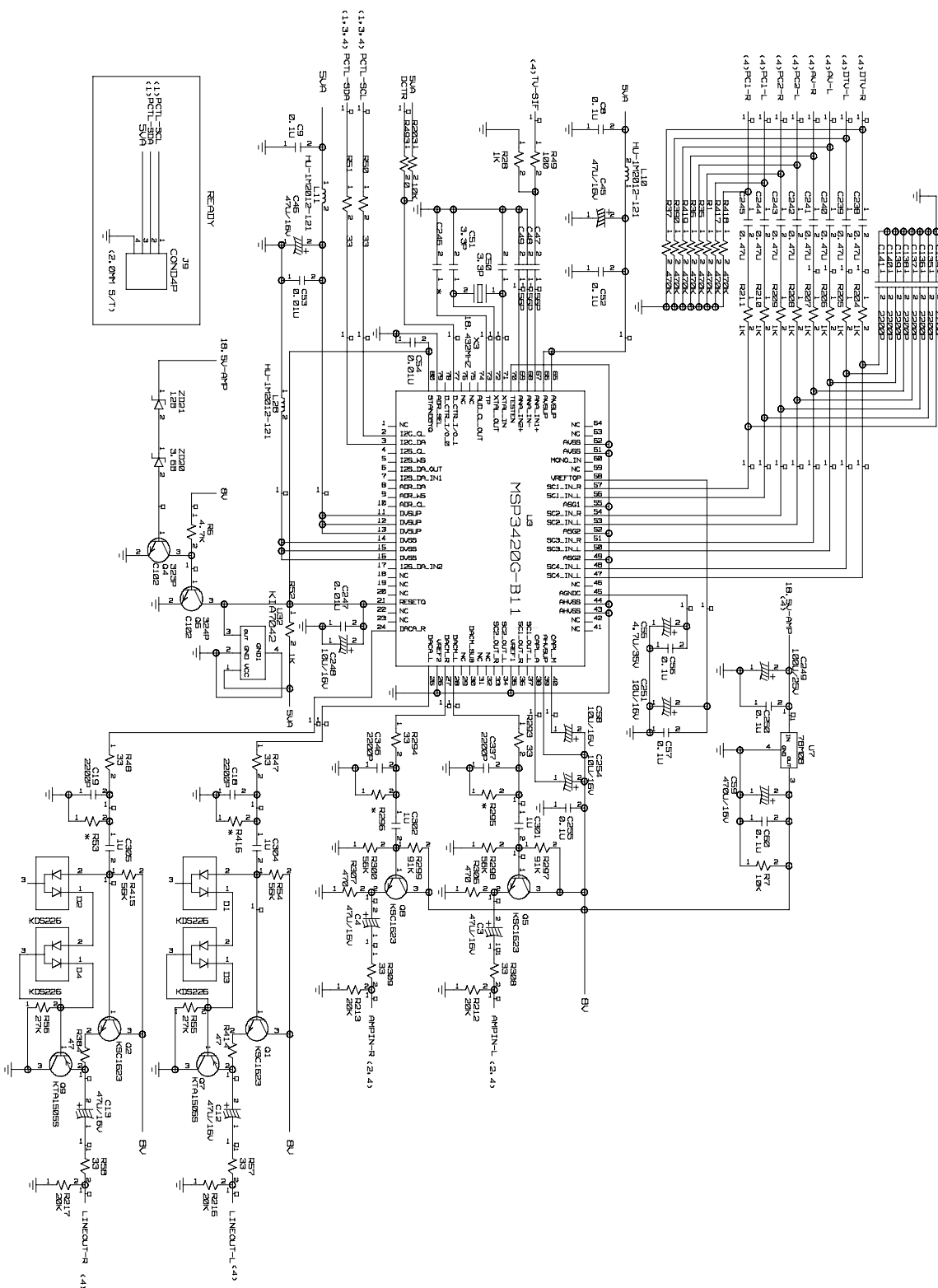


POWER-KEY



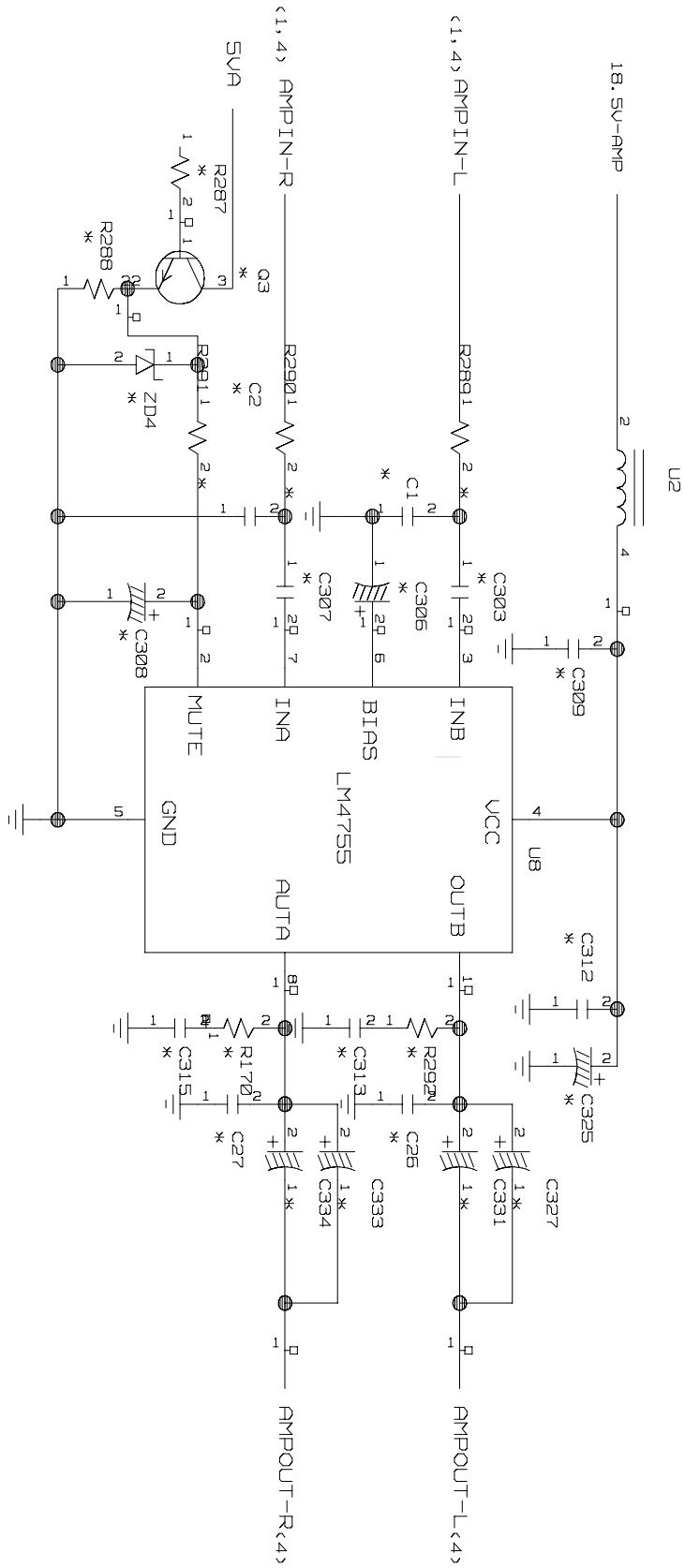
11. AUDIO PROCESSOR

#1 L2320AL
AUDIO PROCESSOR (MSP3420G-B1.1)



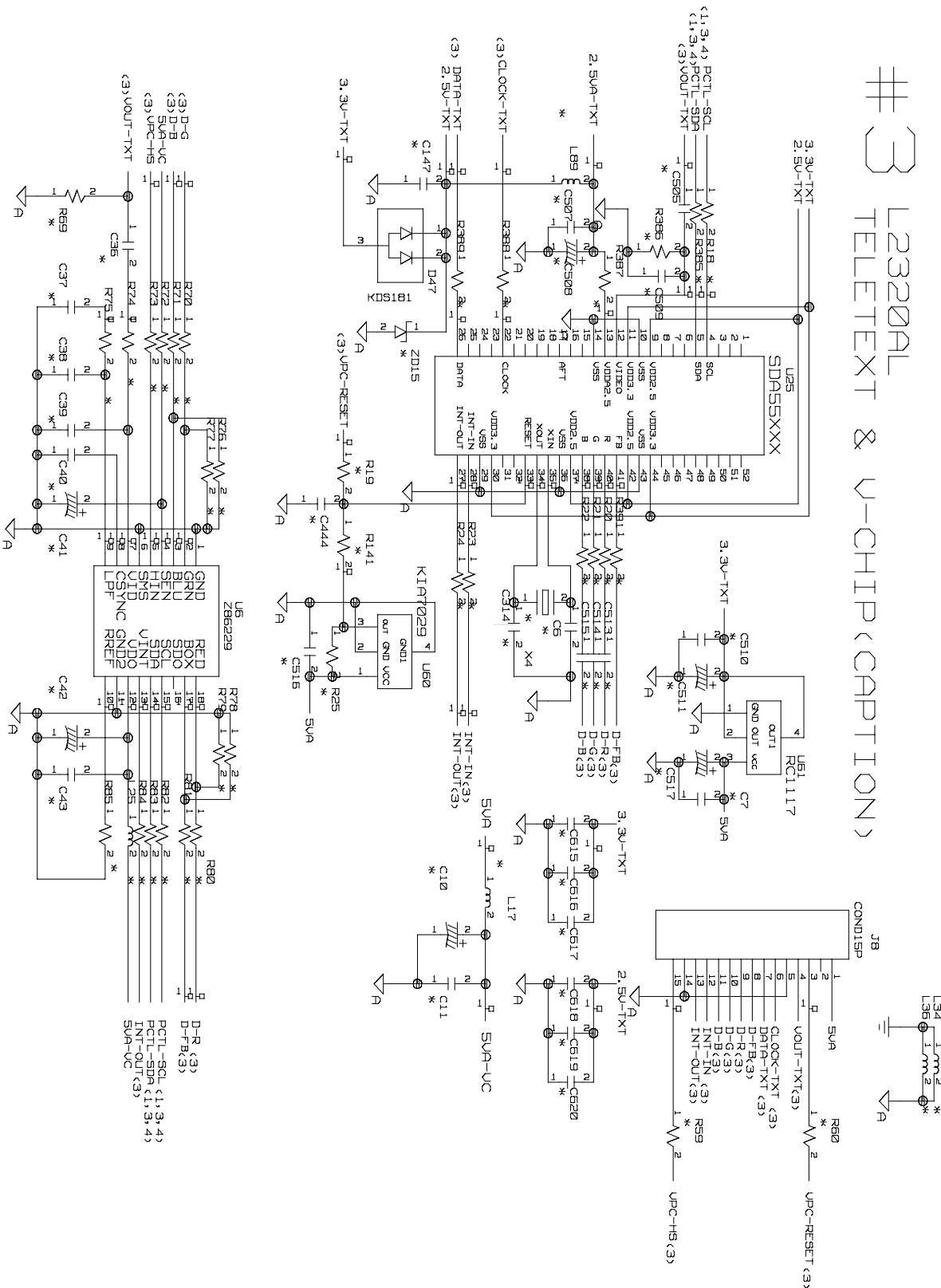
12. AUDIO AMP

#2 L2320AL AUDIO AMP (LM4755)



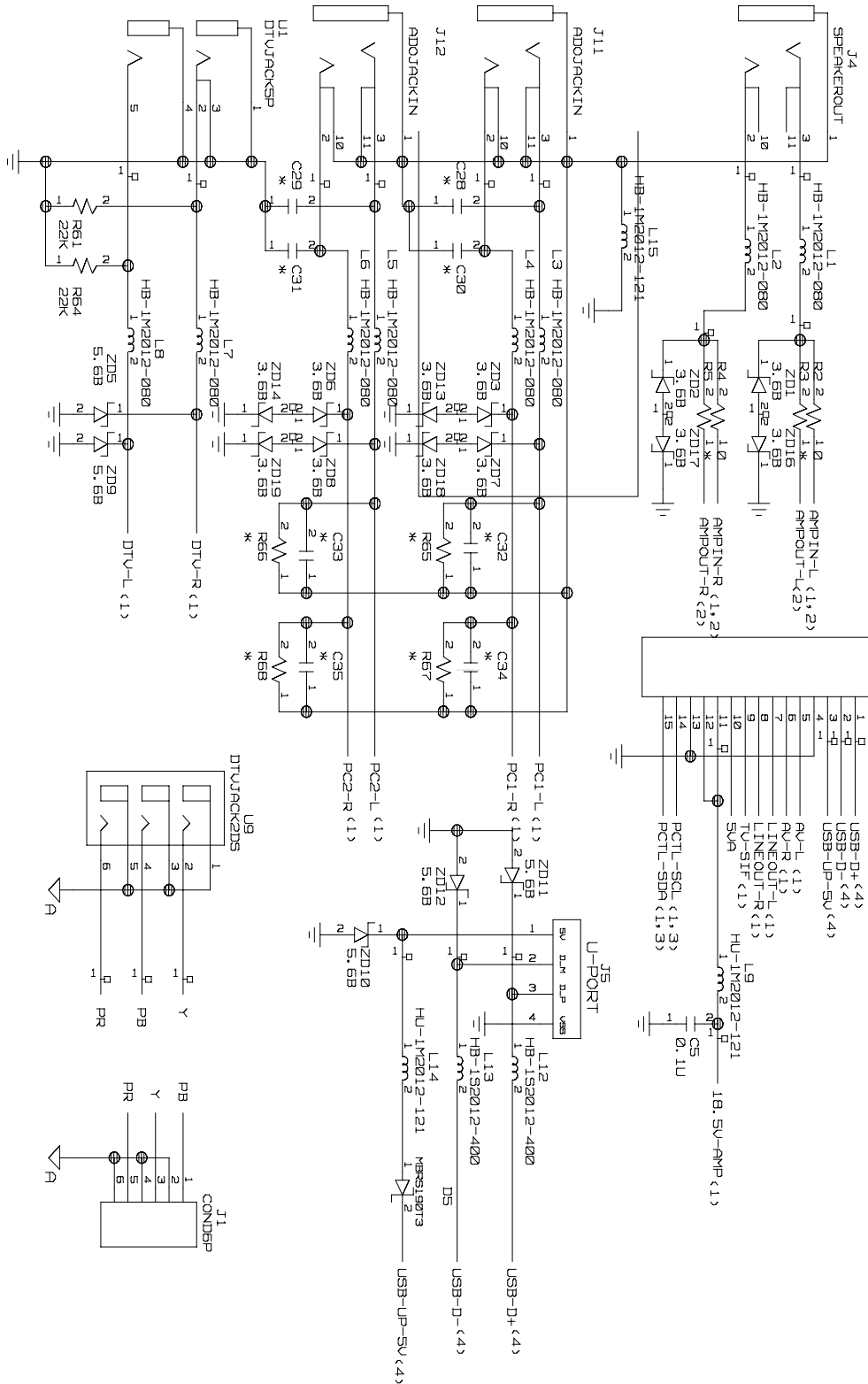
13. TELEXT & V-CHIP

#3 L2320AL TELETEXT & V-CHIP (CAPTION)



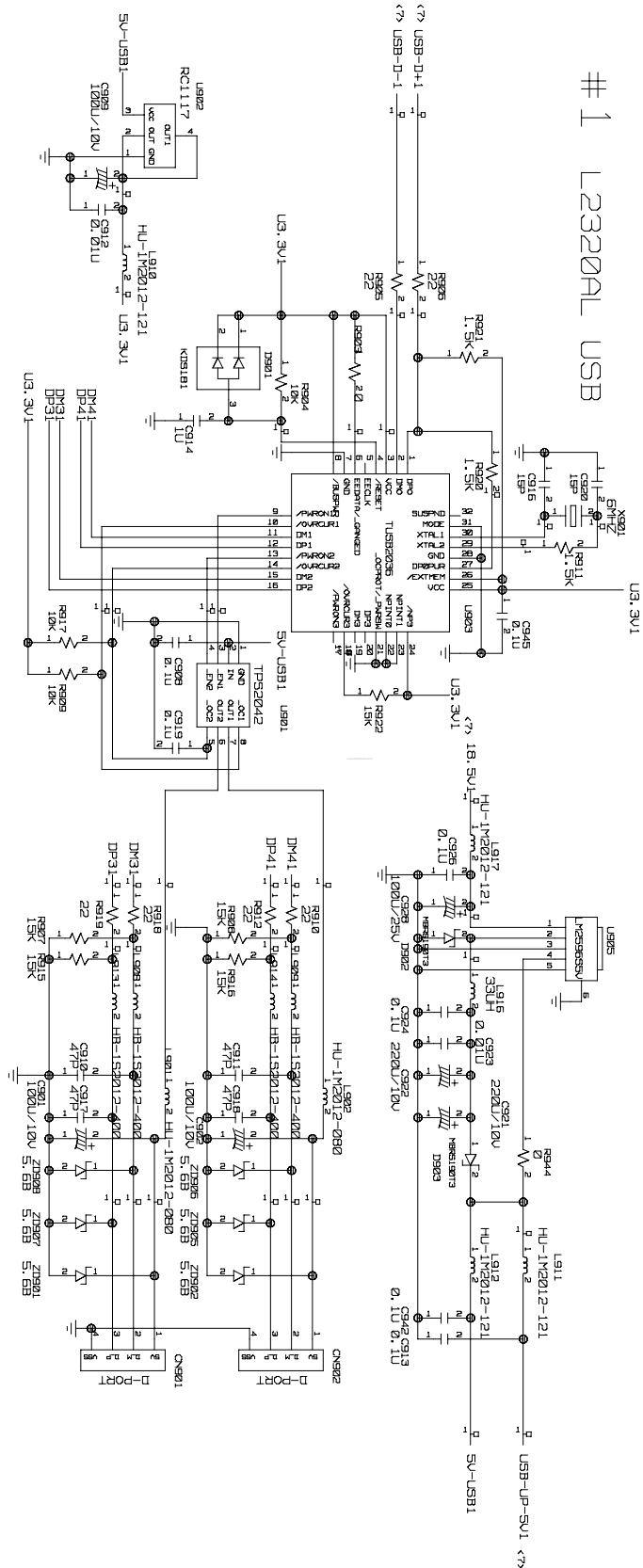
14. AUDIO JACK

#4 L2320AL AUDIO JACK



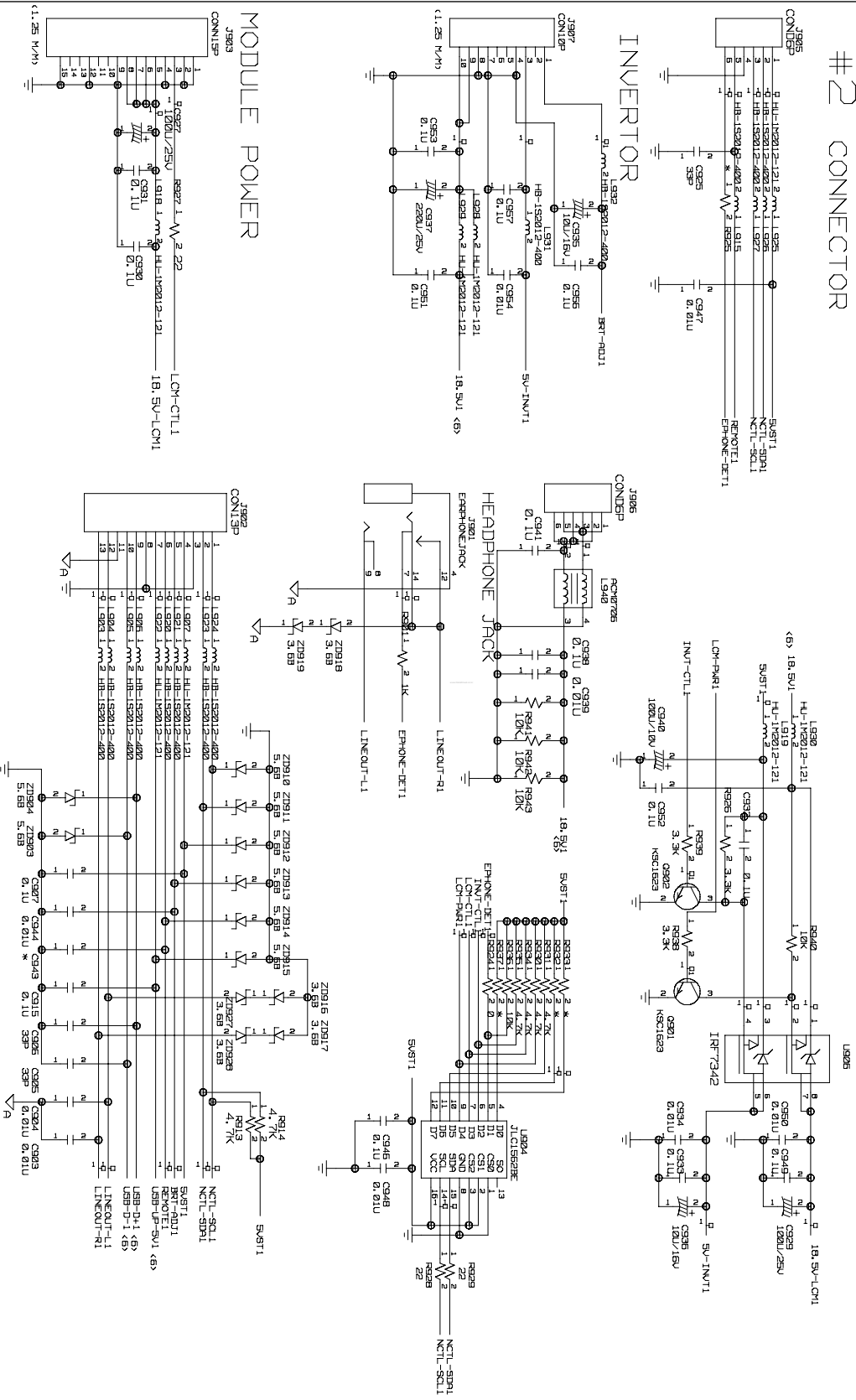
15. USB

1 L2320AL USB



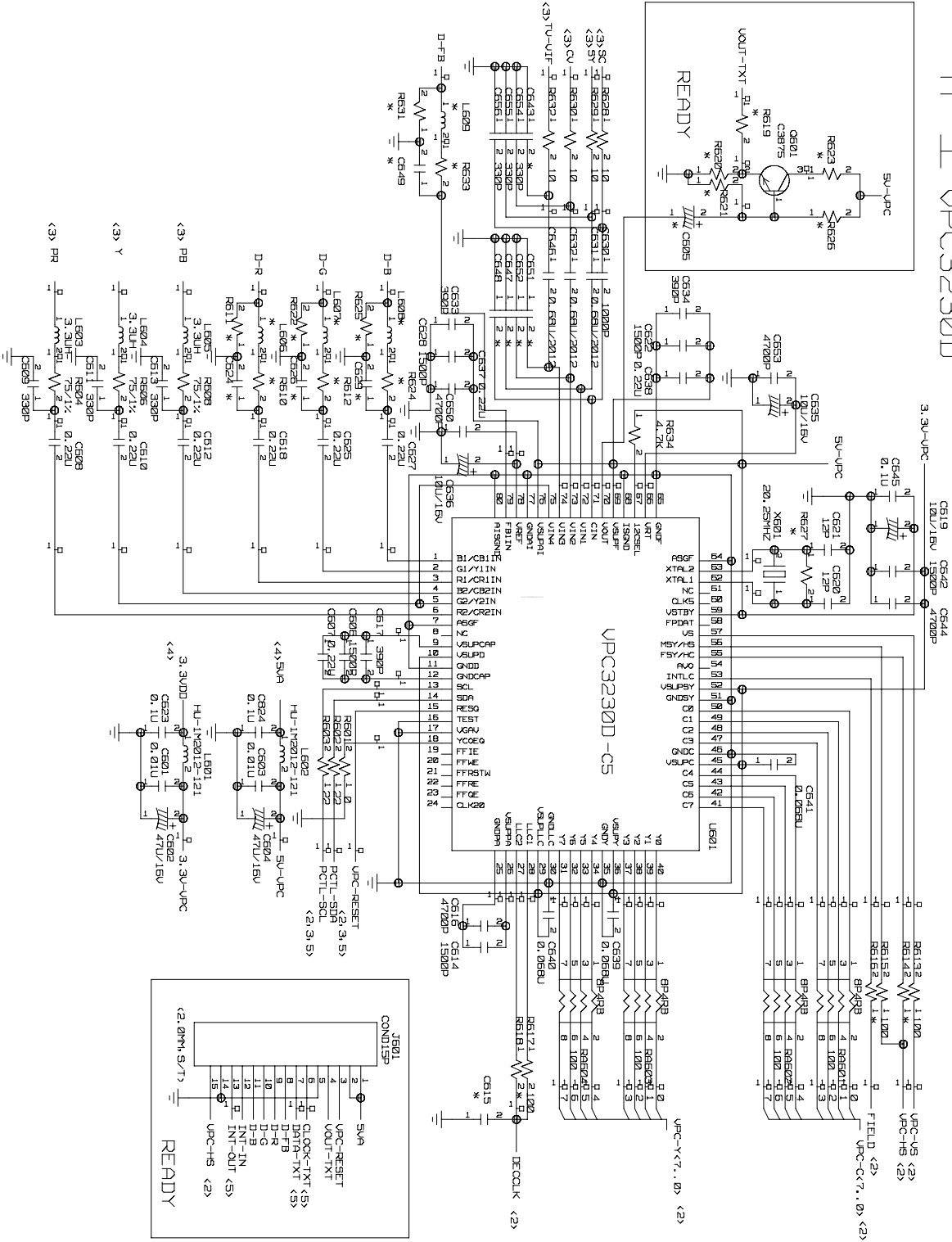
16. USB(BRIDGE B/D CONNECTOR)

#2 L2320AL BRIDGE B/D CONNECTOR

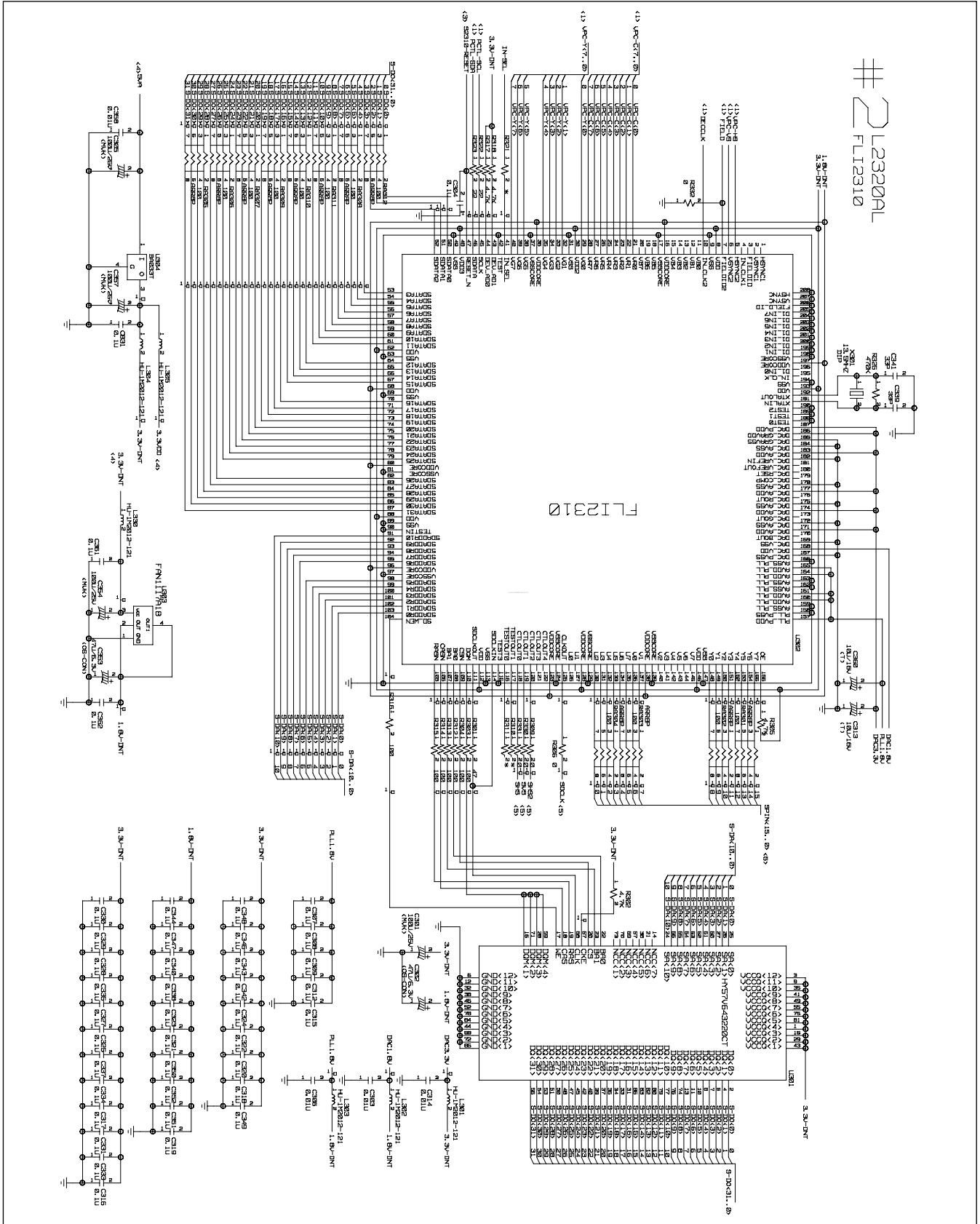


17. VIDEO(VPC3230D)

1 L2320AL
VPC3230D

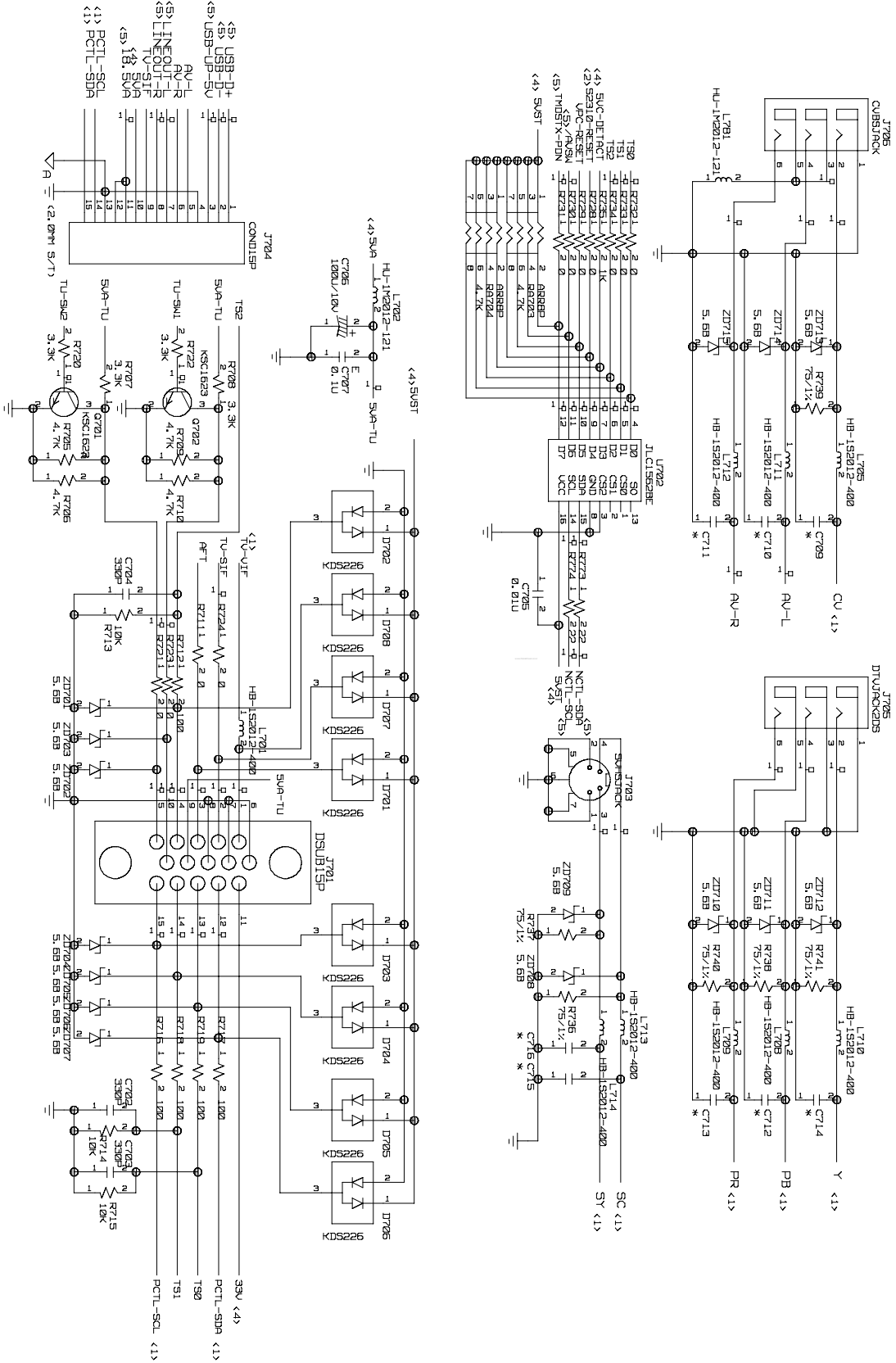


18. VIDEO(FLI2310)



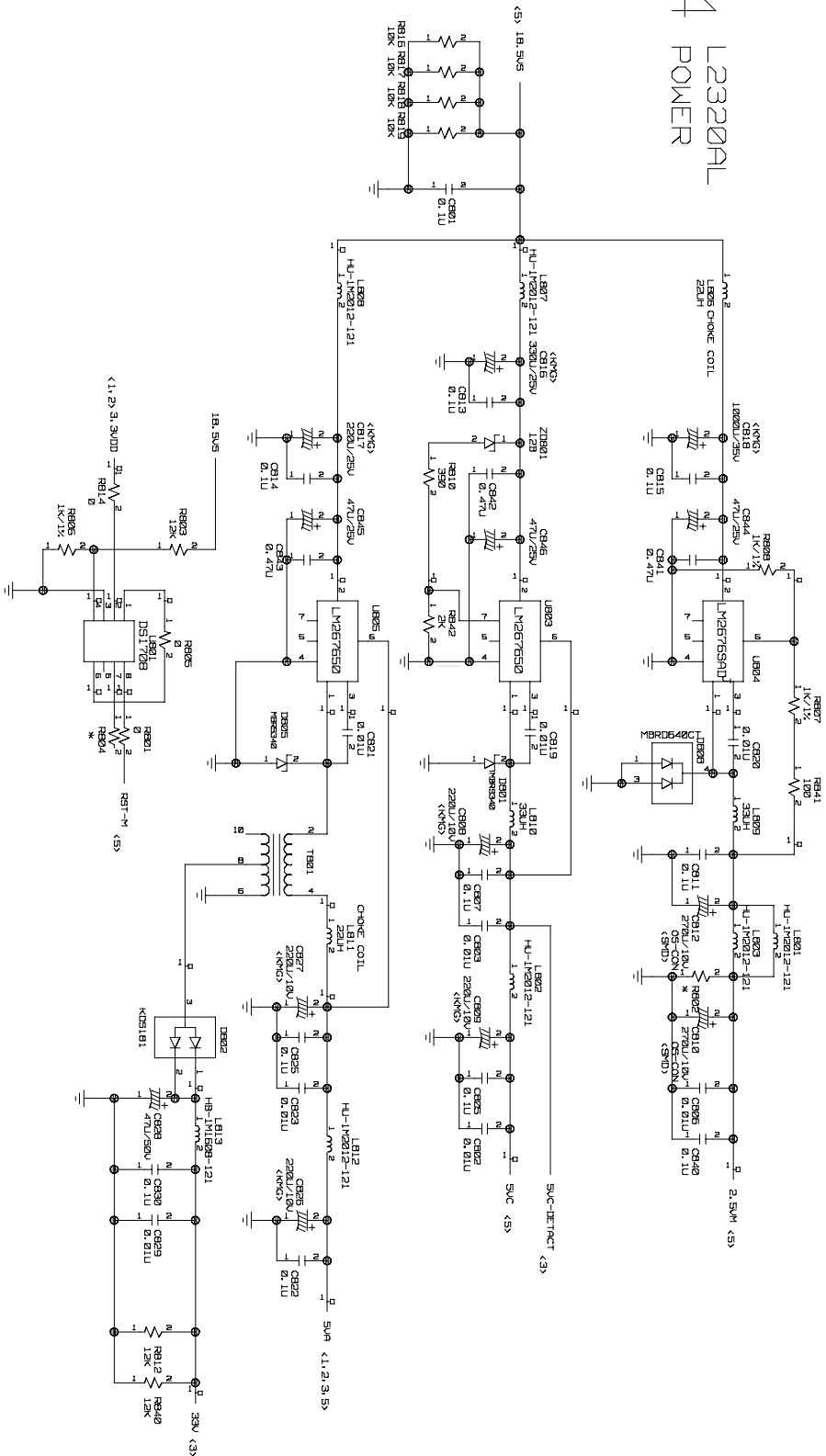
19. VIDEO(CONNECTOR)

3 L2320AL CONNECTOR



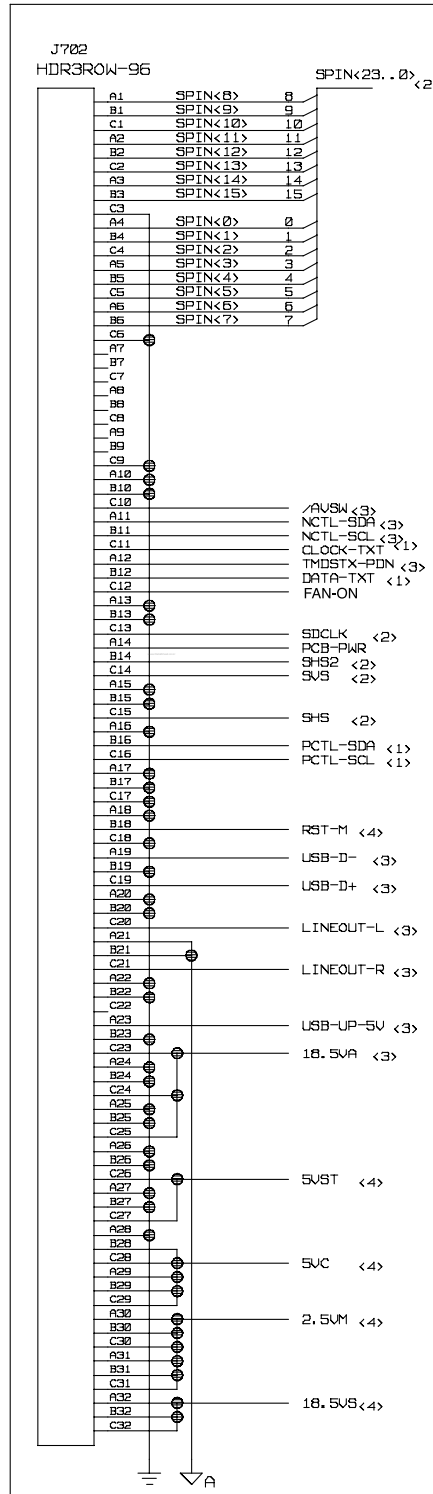
20. VIDEO(POWER)

4 L2320AL
POWER



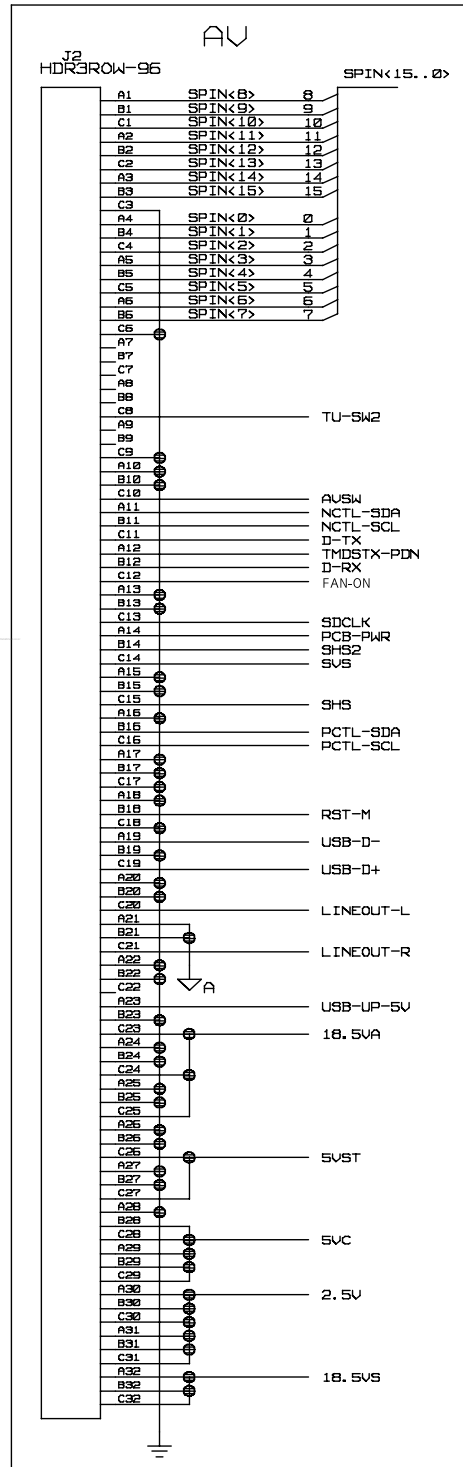
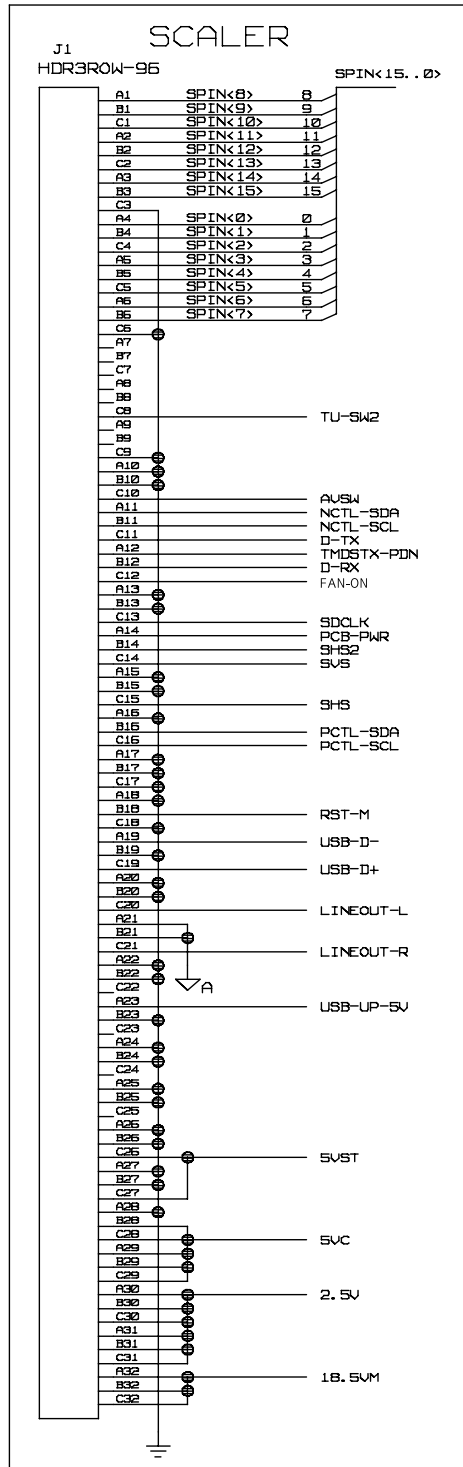
21. VIDEO(B TO B CONNECTOR)

#5 L2320AL
B TO B CONNECTOR



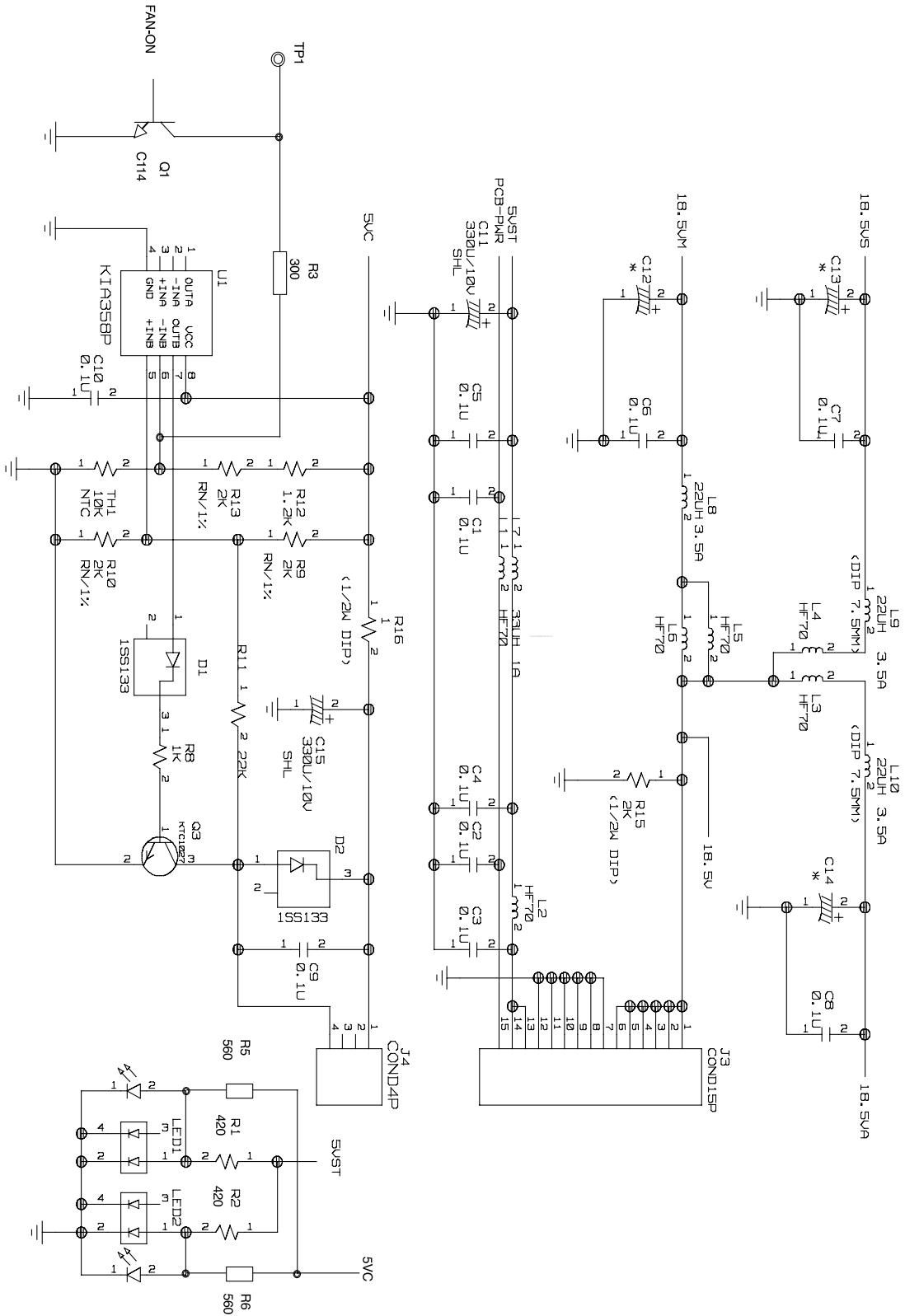
22. INTERFACE

#1 L2320AL SCALER TO AV CONNECTING



23. INTERFACE

#2 L2320AL POWER FILTER&FAN CONTROL





P/NO : 3828TSL096A

Jun. 2003
Printed in Korea

