

PLEASE CHECK WWW.MOLEX.COM FOR LATEST PART INFORMATION

Part Number: [0191540047](#)
Status: **Active**
Description: Step Down Butt Splice for 6-8 AWG Wire Blue w/Red Stripe

Documents:

[Drawing \(PDF\)](#) [RoHS Certificate of Compliance \(PDF\)](#)
[Packaging Specification \(PDF\)](#)

Agency Certification

CSA LR18689
 UL E32244

General

Product Family Splices
 Series [19154](#)
 Comments Step down: 6 to 8 AWG . Blue w/Red Stripe
 Crimp Quality Equipment Yes
 Mil-Spec N/A
 Product Name Butt - Step Down

Physical

Barrel Type Closed - Brazed
 Color - Resin Blue
 Flammability 94V-0
 Insulation PVC
 Material - Resin PVC
 Packaging Type Bag
 Temperature Range - Operating -40°C to +105°C
 Wire Insulation Diameter 11.05mm (.435") max
 Wire Size AWG 6, 8

Electrical

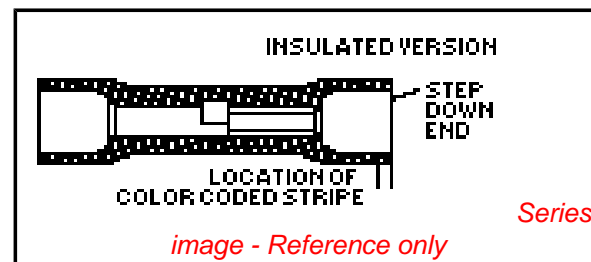
Voltage - Maximum 600V

Material Info

Old Part Number ED-662X

Reference - Drawing Numbers

Sales Drawing CD21001



EU RoHS

ELV and RoHS Compliant
REACH SVHC
 Not Reviewed
Halogen-Free Status
Not Reviewed

China RoHS



Need more information on product environmental compliance?

Email productcompliance@molex.com
 For a multiple part number RoHS Certificate of Compliance, [click here](#)

Please visit the [Contact Us](#) section for any non-product compliance questions.

Search Parts in this Series

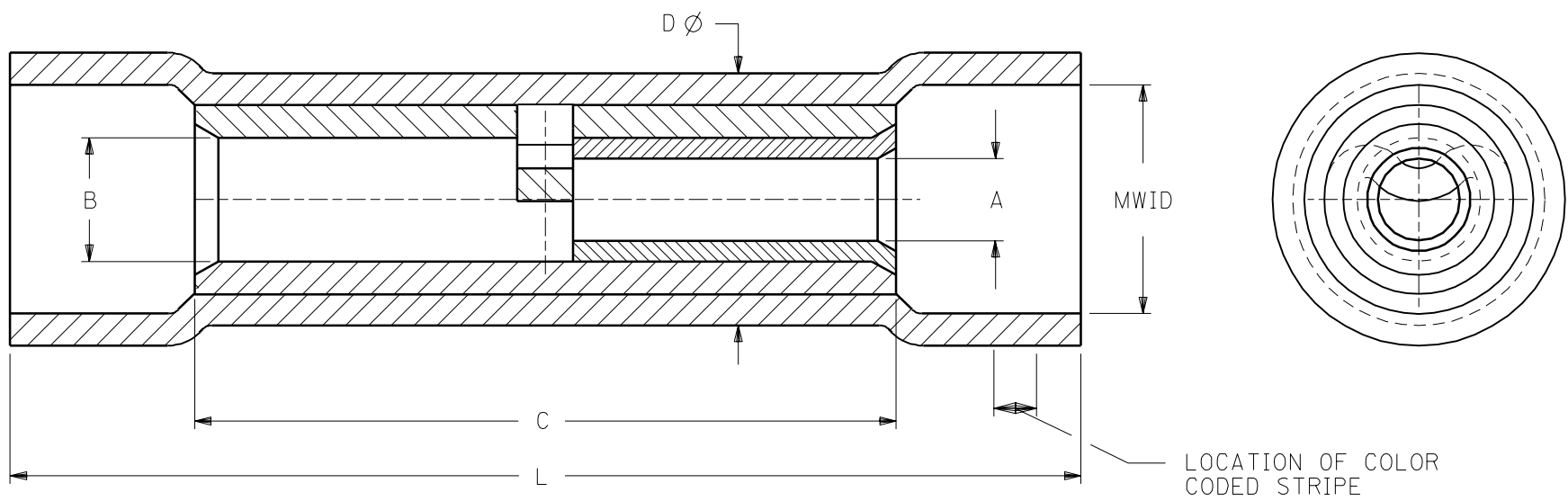
[19154Series](#)

Application Tooling | FAQ

Tooling specifications and manuals are found by selecting the products below. Crimp Height Specifications are then contained in the Application Tooling Specification document.

Global

Description	Product #
Manual Putt Pump Hydraulic System, Die set required	0192860117
Die Set (large) for the HHLS Hydraulic Crimper	0192890004
Putt Pump Dieless Head System	0192860065
Hand Crimp Tool	0640013900



MATERIAL:
 BUTT SPLICE: COPPER, ELECTRO-TIN PLATED
 INSULATION: PVC

PART NO.	INSULATION COLOR	CODE STRIPE COLOR	"A"		"B"		"C" MAX.	"D" MAX.	MWID	"L" MAX.
			AWG.	MIN. DIA.	AWG.	MIN. DIA.				
BA-631X	BLUE	RED	22-18	.065	16-14	.091	.675	.230	.175	1.08
CB-646X	YELLOW	BLUE	16-14	.091	12-10	.138	.827	.295	.260	1.30
DC-654X	RED	YELLOW	12-10	.138	#8	.165	.854	.360	.380	1.50
ED-662X	BLUE	RED	#8	.175	#6	.222	1.045	.427	.435	1.84

MWID=MAXIMUM WIRE INSULATION DIAMETER

REVISE ONLY ON CAD SYSTEM
 TITLE STEP DOWN BUTT CONNECTOR INSULKRIMP

CUSTOMER DRAWING

DRWG. BY RCM
 CHK'D. BY
 APP'D. BY
 SCALE NO:NE

molex ETC INC.
 PINELLAS PARK, FLA. 34665 U.S.A.
 PART NO. DRWG. NO. CD-21001
 FILE NAME CD21001

A ADDED MIN I.D. FOR DIM. A & B RCM 01/16/92
 SHEET NO. DATE 10/28/91
 THIS DRAWING CONTAINS INFORMATION THAT IS PROPRIETARY TO MOLEX-ETC INC. AND SHOULD NOT BE USED WITHOUT WRITTEN PERMISSION.
 DIV. SIZE A