

## Si4010 EZRADIO<sup>®</sup> REMOTE CONTROL DEMO KIT USER'S GUIDE

### 1. Purpose

Thank you for your interest in Silicon Laboratories' EZRadio Remote Control Demo Kit. The Silicon Laboratories EZRadio Remote Control Demo Kit (P/N EZR-LEDK1W-XXX) contains everything you need to familiarize yourself with and evaluate the Si4010 RF SoC transmitter and the Si4355 receiver. The kit has three versions: one for the 434 MHz band, one for the 868 MHz band, and one for the 915 MHz band. The key features of the demo kit are as follows:

- The key fob demo board has five push buttons and one LED output.
- The receiver demo board has four LEDs to display received key fob commands.
- The provided software pack contains all the documentation and files needed to develop a user application.
- The kit supports the use of the Silicon Laboratories Integrated Development Environment (IDE) for software debugging and the use of the Keil C compiler, assembler, and linker toolchain.
- Contains demo applications using API functions and the key fob demo application.

#### 1.1. Kit Content

**Table 1. Kit Content**

Qty	Part Number	Description
	<b>EZR-LEDK1W-434</b>	<b>EZRadio Remote Control Demo Kit 434 MHz</b>
1	4010-KFOB-434	Si4010 Universal Key Fob 434 MHz
1	4355-LED-434-SRX	Si4355 RFStick 434 MHz EZRadio receiver board
1	MSC-PLPB_1	Key Fob Plastic Case (translucent grey)
2	AAA	AAA alkaline battery
1	CRD2032	CR2032 3 V coin battery
	<b>EZR-LEDK1W-868</b>	<b>EZRadio Remote Control Demo Kit 868 MHz</b>
1	4010-KFOB-868	Si4010 Universal Key Fob 868 MHz
1	4355-LED-868-SRX	Si435 RFStick 868 MHz EZRadio receiver board
1	MSC-PLPB_1	Key Fob Plastic Case (translucent grey)
2	AAA	AAA alkaline battery
1	CRD2032	CR2032 3 V coin battery
	<b>EZR-LEDK1W-915</b>	<b>EZRadio Remote Control Demo Kit 915 MHz</b>
1	4010-KFOB-434	Si4010 Universal Key Fob 434 MHz
1	4355-LED-434-SRX	Si4355 RFStick 434 MHz EZRadio receiver board
1	MSC-PLPB_1	Key Fob Plastic Case (translucent grey)
2	AAA	AAA alkaline battery
1	CRD2032	CR2032 3 V coin battery



**Figure 1. Si4010 Universal Key Fob Board and Plastic Case (P/N 4010-KFOB-434 and MSC-PLPB\_1)**



**Figure 2. Si4355 RFStick 434 MHz Receiver Board (P/N 4355-LED-434-SRX)**

## 2. Operating the Demo

The Si4010 key fob transmitter and the Si4355 RFStick receiver are the transmitter and receiver devices used in the one way link demo. This transmitter/receiver pair can be used to evaluate the capabilities of the Si4010 transmitter and the Si4355 receiver.

The first step is to insert the CR2032 battery in the battery holder on the 4010-KFOB-XXX demo board and then place the board into the plastic key fob case. Next, insert the two AAA batteries in the battery holder on the 4355-LED-XXX receiver board and turn it on by setting the S6 switch to the “Battery” position. LED4 will light continuously indicating that power is on and the SRX firmware is running.

When a button is pressed on the key fob, LEDs flash on the receiver board according to which button was pressed. In the next table, buttons are named according to their position when the key fob is held with its LED facing forward.

**Table 2. Key Fob Buttons and Resulting LEDs**

Key Fob Button Pressed	RF Stick LED Flashed
Left Button	LED1
Middle Button	LED2
Right Button	LED3
Rear Button	LED1 + LED3
Front Button	LED1 + LED2 + LED3

## 3. RF Parameters

The demo kit uses the following RF parameters according to the kit's frequency band.

Kit Part Number	Center Frequency	Deviation
EZR-LEDK1W-434	433.92 MHz	± 59 kHz
EZR-LEDK1W-868	868.30 MHz	± 119 kHz
EZR-LEDK1W-917	917.00 MHz	± 120 kHz

The modulation is FSK.

## 4. Transmitter Side Program

The Si4010 in the key fob is programmed with the `rke_demo_2` program. Since the program is burned in the NVM (OTP) memory of the Si4010, it cannot be changed. The whole `rke_demo_2` software project can be found in the example programs package of the Si4010. It is available at the web page

<http://www.silabs.com/products/wireless/EZRadio/Pages/Si4010.aspx> on the Tools tab.

The key fob transmits an RF packet three times each time a button is pressed, and it also blinks the LED on the key fob. The packet structure is as follows:

Number of Bytes	Field Name	Description
13	Preamble	0xaa
2	Sync	0x2d, 0xd4
4	Chip ID	Unique, factory-burned chip ID
1	Status	Lower 5 bits are the button information
2	Packet count	Rolling counter for PER measurement
2	CRC-16	Generator $X^{16}+X^{15}+X^2+1$ , start value 0xFFFF

Symbol rate is 9.6 kBd.

Each packet contains 18 additional bytes that are not received by the receiver of this demo. These additional bytes are AES-encrypted and are used by the AES demo kit. See details in the user's guide of the AES demo kit (P/N 4010-AESK1W-434).

In the key fob program the frequency and deviation is pin-selected by the PCB layout. This operating frequency is indicated on a label on the back of the key fob PCB.

GPIO8	GPIO9	Center Frequency	Deviation
High	Low	316.66 MHz	± 43 kHz
High	High	433.92 MHz	± 59 kHz
Low	High	868.30 MHz	± 119 kHz
Low	Low	917.00 MHz	± 120 kHz

The 316.667 MHz key fob is available in the 4010-AESK1W-315 demo kit or separately from Silicon Labs.

The key fob's default modulation is FSK but if the middle button is pressed and held during battery insertion, the modulation will be OOK until the next powerdown (battery removal).

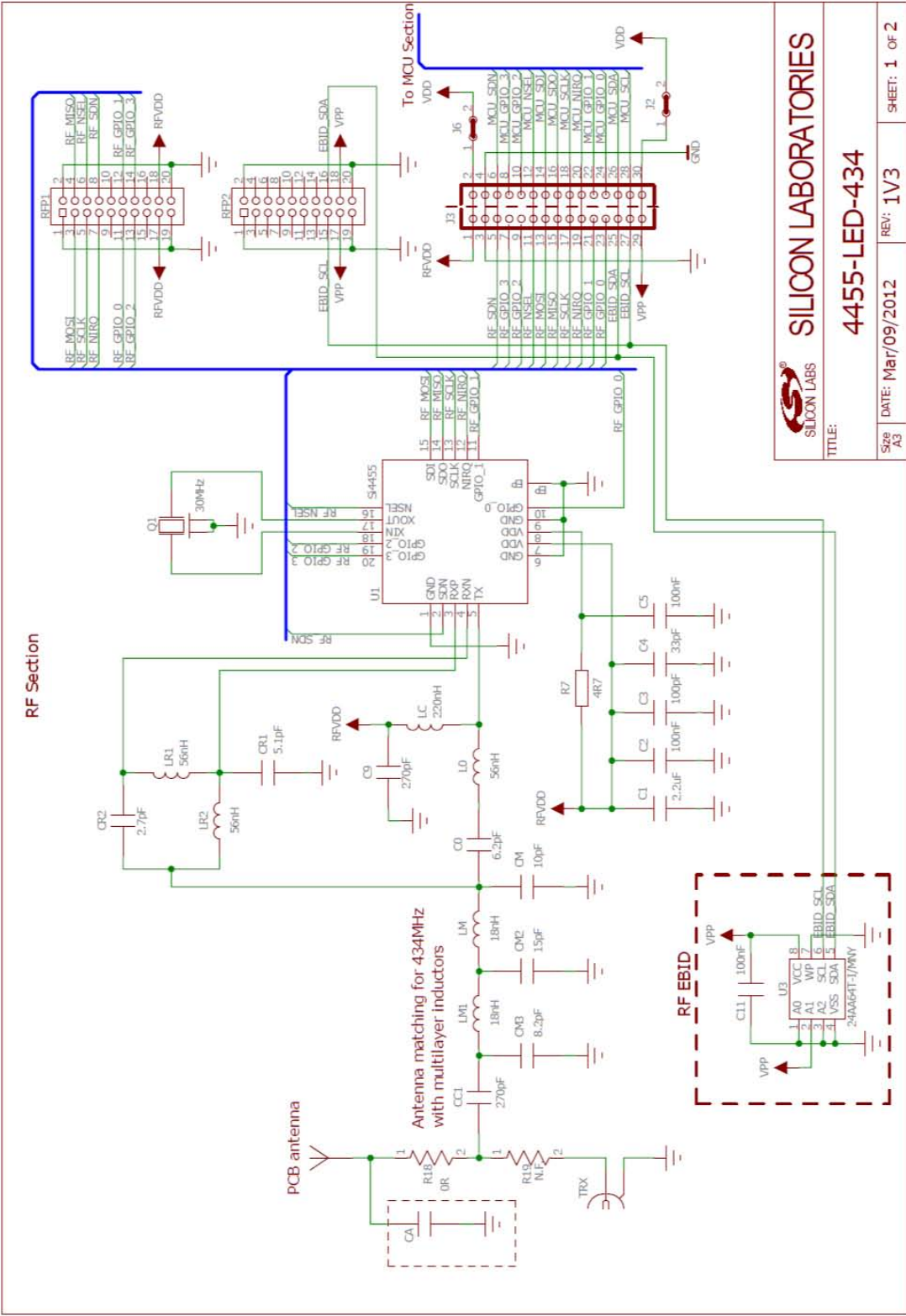
## 5. Receive Side Program

The 8051F930 MCU on the RFStick transmitter board is factory-programmed with the stx\_demo program. Since the program is programmed in flash memory, it can be overwritten using a Silicon Labs Toolstick Base Adapter that is part of the Si4010 development kit or can be ordered separately as well (P/N Toolstick\_BA). The complete stx\_demo software project can be found in the example programs package of the Si4355. It is available at the web page <http://www.silabs.com/products/wireless/EZRadio/Pages/Si4355.aspx> on the Tools tab.

The receiver program configures and controls the Si4355 receiver chip via the SPI bus. The Si4355 receives the packets transmitted by the keyfob, checks the preamble, the syn bytes and the CRC. If the packet is OK, the program flashes the LEDs according to the button information in the status byte of the received packet.

## 6. Schematics

Schematics of the transmitter and receiver boards of the kit can be seen on the following pages. Complete manufacturing file pack with CAD/CAM files and BOMs can be found at <http://www.silabs.com>.



**SILICON LABS**

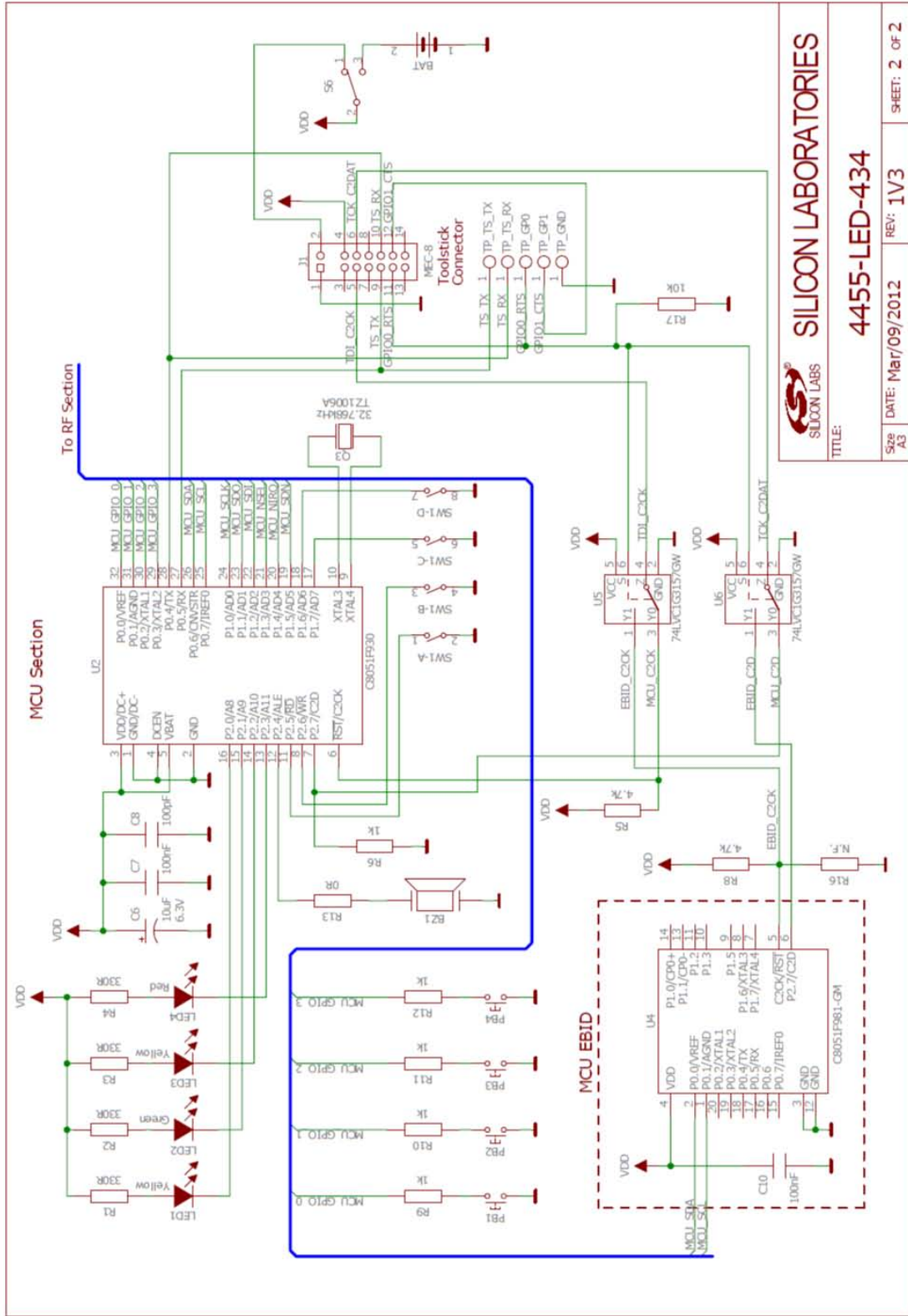
**SILICON LABORATORIES**

**4455-LED-434**

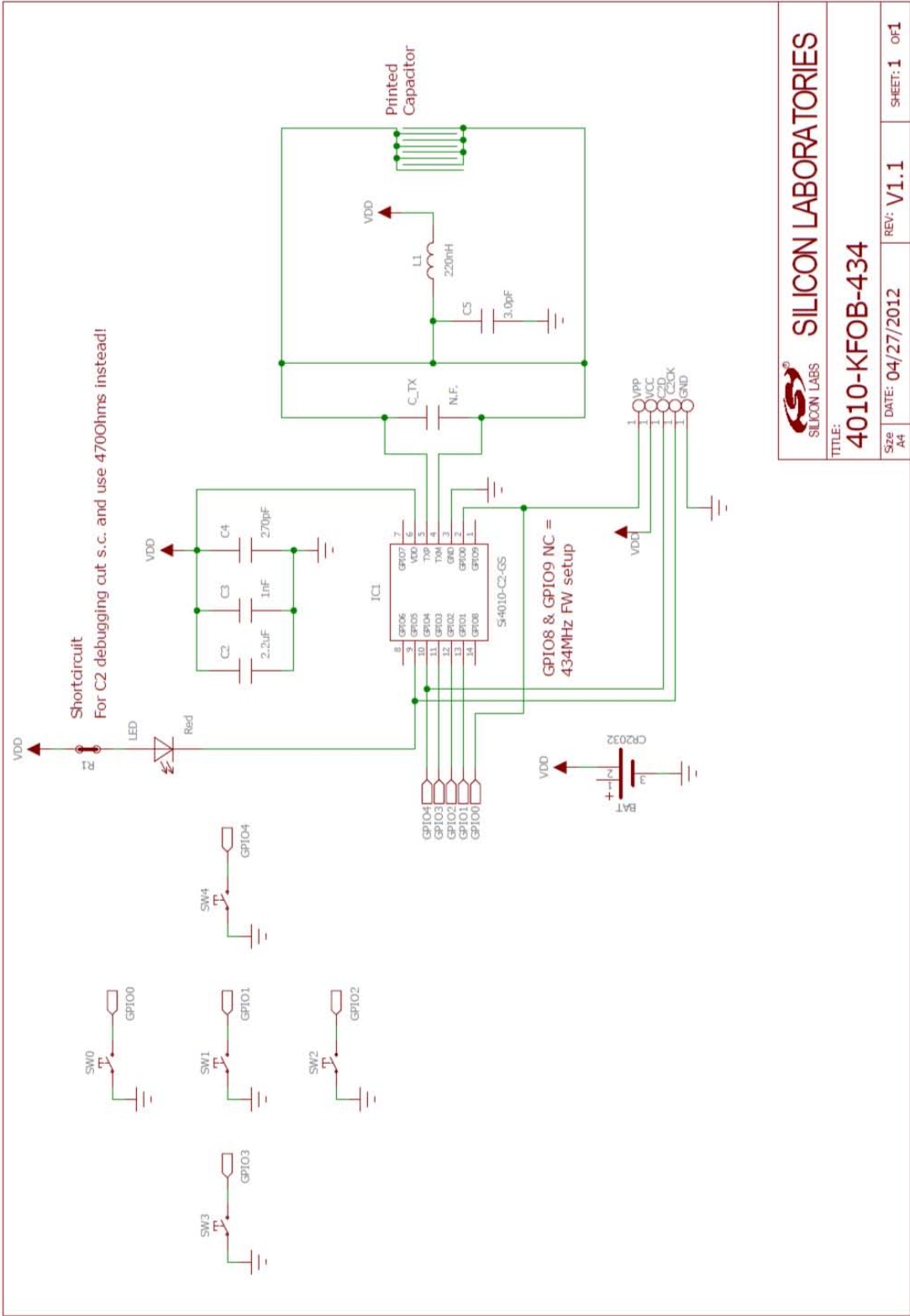
SIZE: A3 DATE: Mar/09/2012 REV: 1V3 SHEET: 1 OF 2



# Si4010-RC-DEMO



 <b>SILICON LABORATORIES</b>	
<b>4455-LED-434</b>	
TITLE:	DATE: Mar/09/2012
Size: A3	REV: 1V3
SHEET: 2 OF 2	



**SILICON LABS** **SILICON LABORATORIES**

TITLE:  
**4010-KFOB-434**

Size: A4 | DATE: 04/27/2012 | REV: V1.1 | SHEET: 1 OF 1

## DOCUMENT CHANGE LIST

### Revision 0.1 to Revision 0.2

- Updated "2. Operating the Demo" on page 2.
- Updated Table 2 on page 2.



**NOTES:**

# Si4010-RC-DEMO

---

## CONTACT INFORMATION

### Silicon Laboratories Inc.

400 West Cesar Chavez  
Austin, TX 78701  
Tel: 1+(512) 416-8500  
Fax: 1+(512) 416-9669  
Toll Free: 1+(877) 444-3032

Please visit the [Silicon Labs Technical Support](https://www.silabs.com/support/pages/contacttechnicalsupport.aspx) web page:  
<https://www.silabs.com/support/pages/contacttechnicalsupport.aspx>  
and register to submit a technical support request.

The information in this document is believed to be accurate in all respects at the time of publication but is subject to change without notice. Silicon Laboratories assumes no responsibility for errors and omissions, and disclaims responsibility for any consequences resulting from the use of information included herein. Additionally, Silicon Laboratories assumes no responsibility for the functioning of undescribed features or parameters. Silicon Laboratories reserves the right to make changes without further notice. Silicon Laboratories makes no warranty, representation or guarantee regarding the suitability of its products for any particular purpose, nor does Silicon Laboratories assume any liability arising out of the application or use of any product or circuit, and specifically disclaims any and all liability, including without limitation consequential or incidental damages. Silicon Laboratories products are not designed, intended, or authorized for use in applications intended to support or sustain life, or for any other application in which the failure of the Silicon Laboratories product could create a situation where personal injury or death may occur. Should Buyer purchase or use Silicon Laboratories products for any such unintended or unauthorized application, Buyer shall indemnify and hold Silicon Laboratories harmless against all claims and damages.

Silicon Laboratories and Silicon Labs are trademarks of Silicon Laboratories Inc. Other products or brandnames mentioned herein are trademarks or registered trademarks of their respective holders.