



TAI-SAW TECHNOLOGY CO., LTD.

No. 3, Industrial 2nd Rd., Ping-Chen Industrial District,
Taoyuan, 324, Taiwan, R.O.C.

TEL: 886-3-4690038 FAX: 886-3-4697532

E-mail: tstsales@mail.taisaw.com Web: www.taisaw.com

Approval Sheet For Product Specification

Issued Date: 2007/05/17

Product Name: 44MHz IF SAW Filter (BW=3.4 MHz)

TST Parts No.: TB0363A

Customer Parts No.: _____

Company: _____
Division: _____
Approved by : _____
Date: _____

Checked by: _____ Andy Yu

Approval by: _____ Francis Chen

Date: _____ 2007/05/17



TAI-SAW TECHNOLOGY CO., LTD.

No.3, Industrial 2nd Rd., Ping-Chen Industrial District, Taoyuan, Taiwan, R.O.C.

TEL: 886-3-4690038 FAX: 886-3-4697532

E-mail: tstsales3@mail.taisaw.com Web: www.taisaw.com

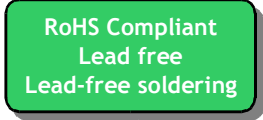
SAW Filter 44MHz (SMD 13.3×6.5 mm)

Model No.: TB0363A

Rev. No.:3.0

A. MAXIMUM RATING:

1. Input Power Level: 10 dBm
2. Operating Temperature: -40°C to +85°C
3. Storage Temperature: -40°C to +85°C

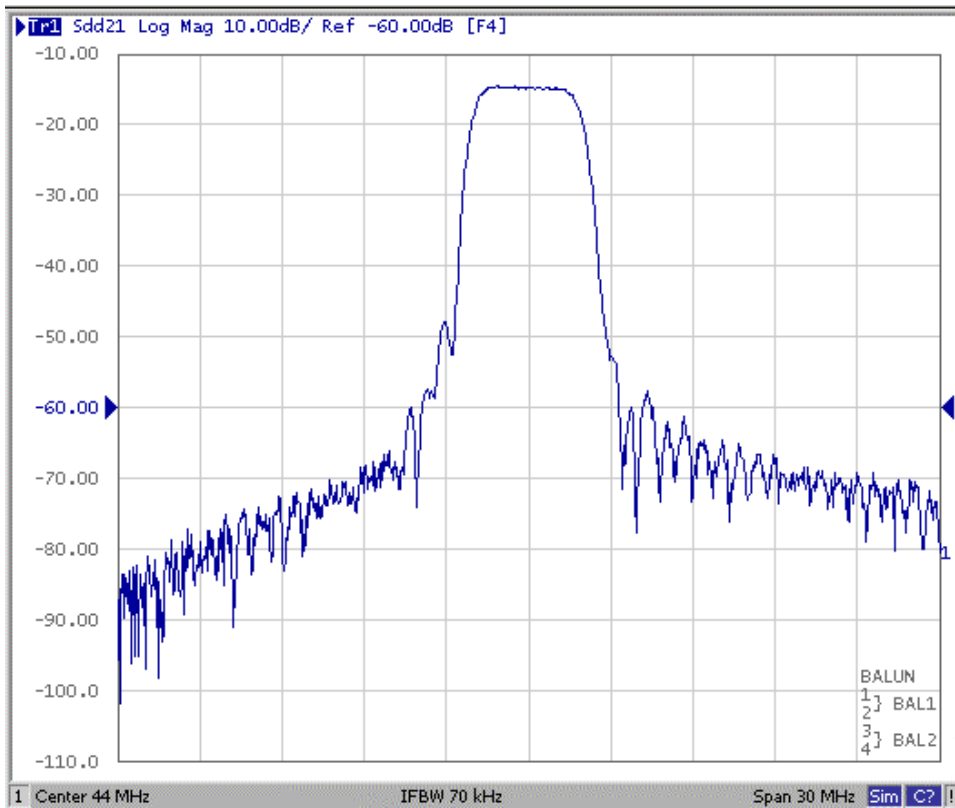


B. Characteristics :

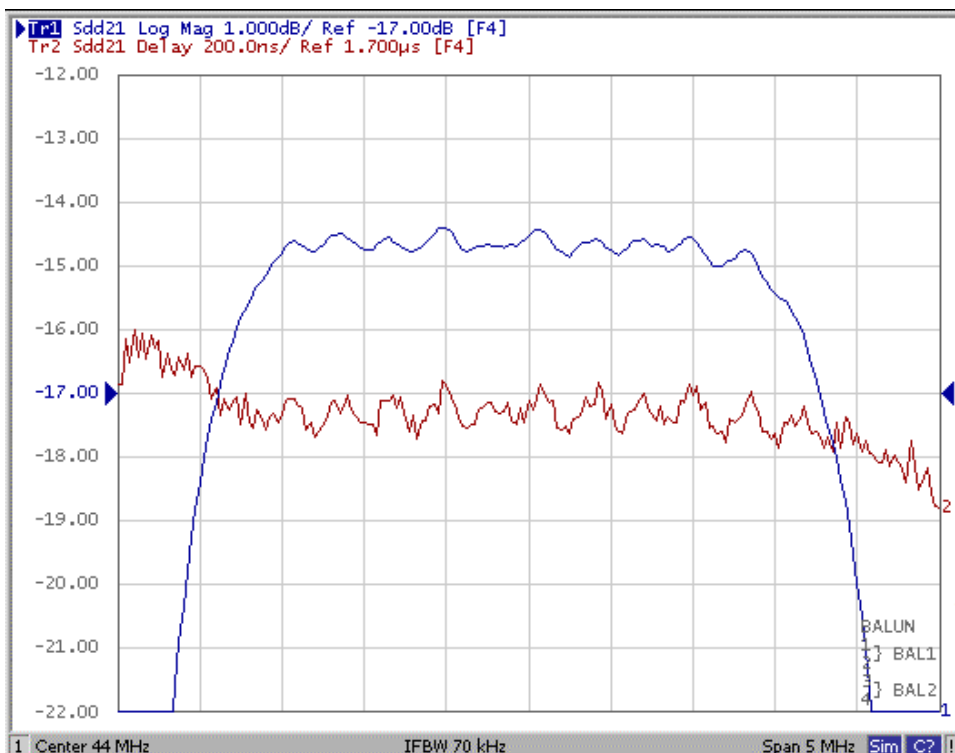
Item	Unit	Min.	Type.	Max.
Center frequency, Fc	MHz	-	44	-
Insertion Loss, IL	dB	-	14	16
3 dB Bandwidth	MHz	3.4	3.8	
Pass band Ripple Fc±1.25MHz	dB	-	0.6	1.0
Stopband Rejection (ref: Max IL)				
Relative Attenuation Fc±1.85MHz	dB	1.9	2.5	
Relative Attenuation Fc±2MHz	dB	3	4.2	
Relative Attenuation Fc±3.5MHz	dB	38	42	
Relative Attenuation 26.5MHz to 40.5MHz	dB	40	47	
Relative Attenuation 47.5MHz to 61.5MHz	dB	38	41	

C. Frequency Characteristics :

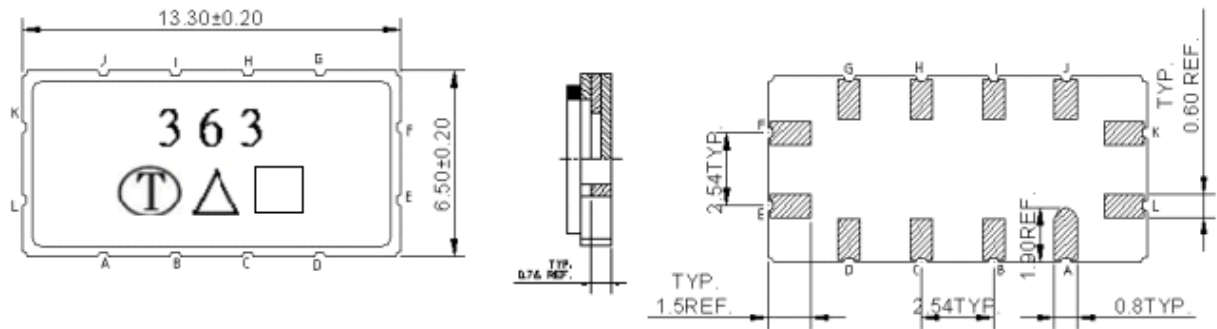
(1) Frequency Response: (span:30MHz)



(2) Passband response and Group Delay Variation: (span:5MHz)



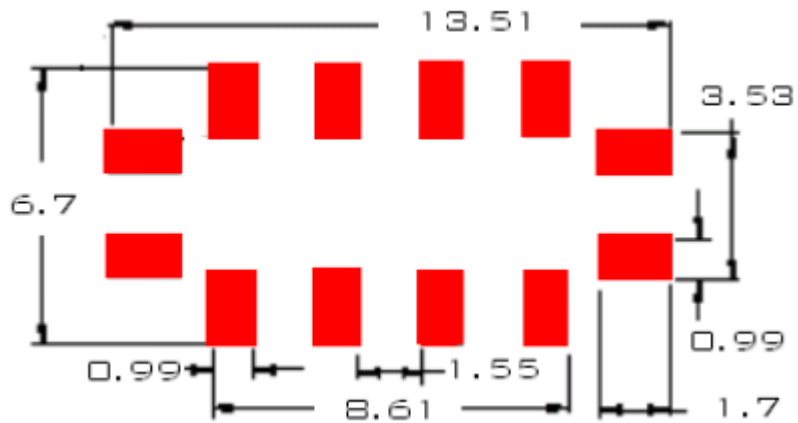
D. Outline Drawing:



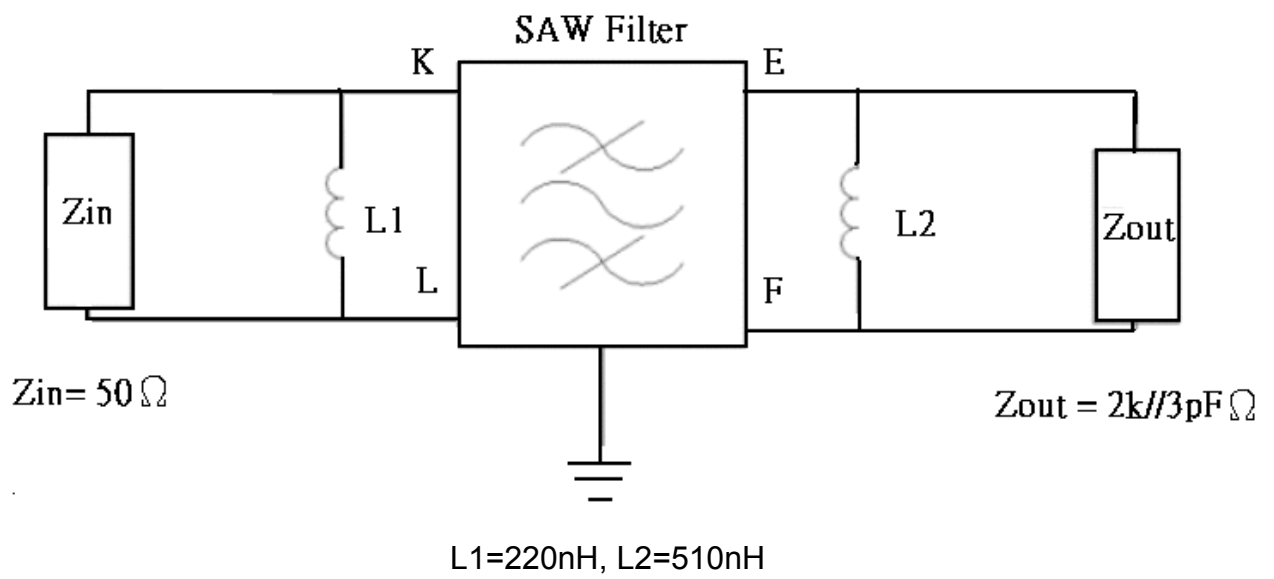
- Pin K: RF Balance input +
- Pin L: RF Balance input -
- Pin E: RF Balance output +
- Pin F: RF Balance output -
- Pin A, B, C, D, G, H, I, J: To be Ground
- : Week Code (Follow the table from planner each year)
- Unit : mm
- △ : Product / Year Code

Year	2005 2009	2006 2010	2007 2011	2008 2012
Product Code	B	b	<u>B</u>	<u>b</u>

E. PCB Footprint:

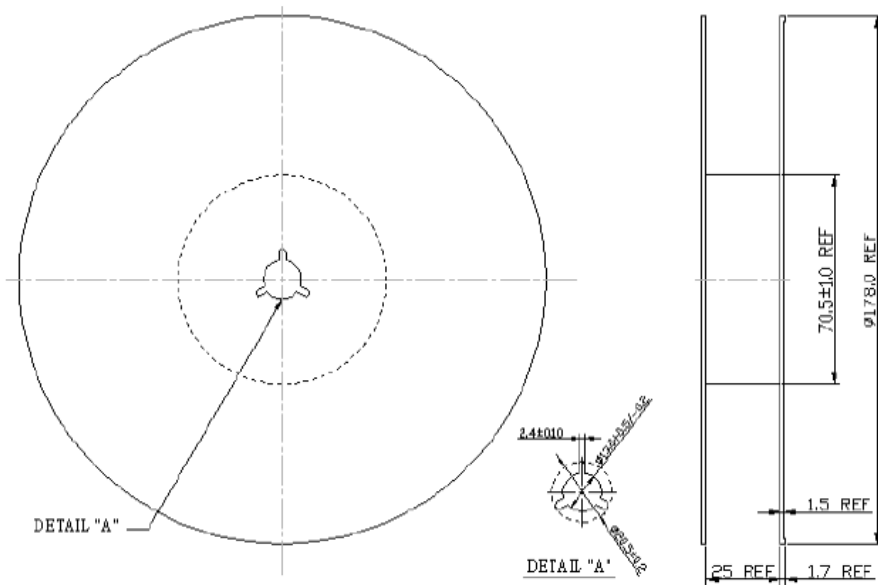


F. Matching Circuit:

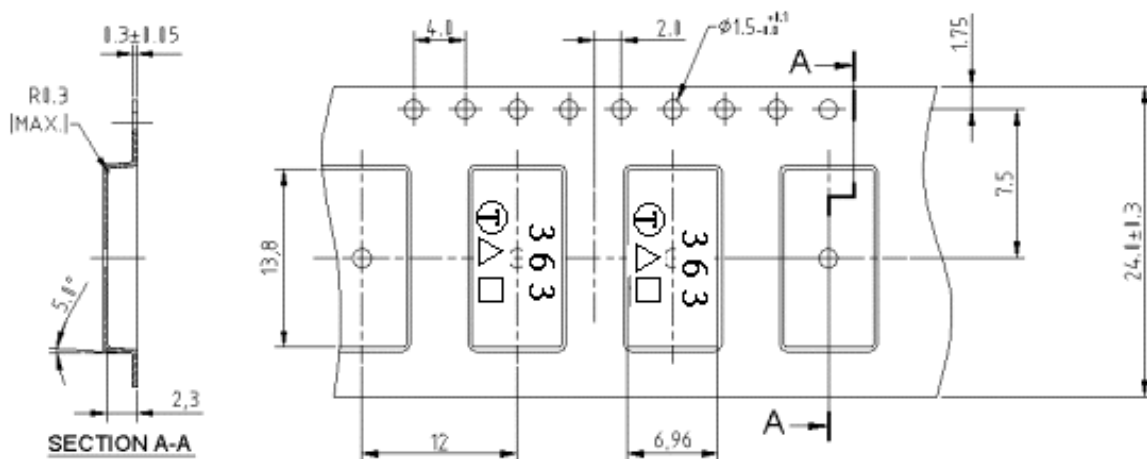


G. Packing:

(1). REEL DIMENSION:



(2). TYPE DIMENSION:



H. Recommended Reflow Profile:

