

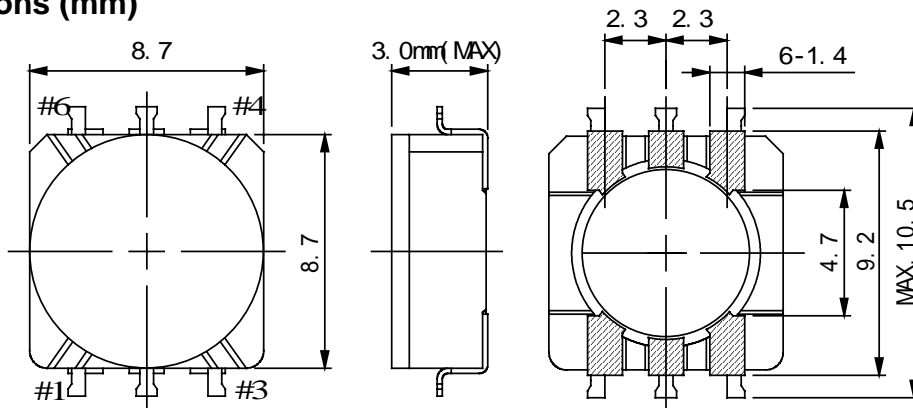
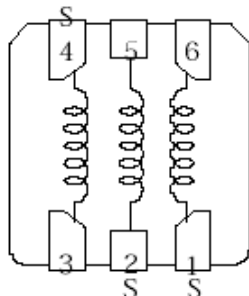
Type: CLS8D28B

Preliminary
Product Description

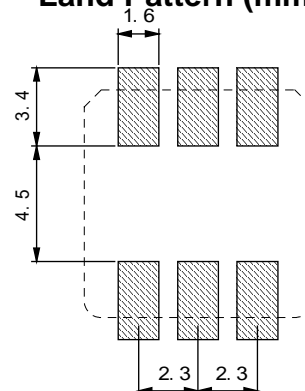
- 8.7 × 8.7mm Max.(L × W), 3.0mm Max. Height.
- 6 Terminal pins' type gives a flexible design as inductors or transformers (SEPIC,ZETA circuit).
- Custom design is available.


Feature

- Magnetically shielded construction.
- Max. Operating frequency 1MHz, Max. Operating power 5.2W.
- Ideally used in the power supply for DSC, Note PC, DVC and W-LED backlight.
- RoHS Compliance

Dimensions (mm)

Schematics (Bottom)


"S" indicates winding start.

Land Pattern (mm)

Specification

Sample No.	Inductance (4-3)/(2-5)/(1-6) (100kHz/1.0V)	D.C.R. (3-4)	D.C.R. (2-5)/(1-6)	Rated current (1-2-3)Tie (4,5,6)
A437-8D28B-AIZ003	100 μ H \pm 30%	190m Max.	250m Max.	0.45A

Rated current: The D.C. current at which the inductance decreases to 90% of it's initial value or when $t=40$, whichever is lower($T_a=20$).