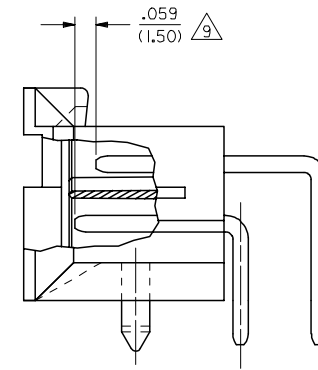
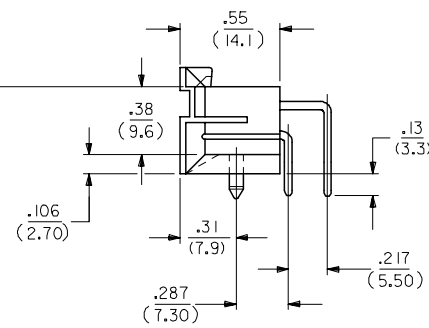
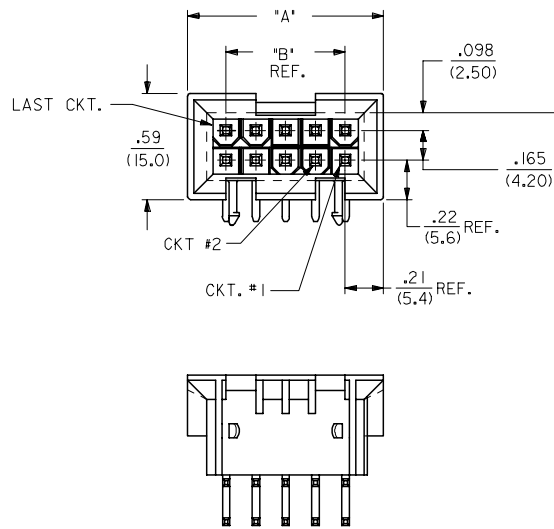
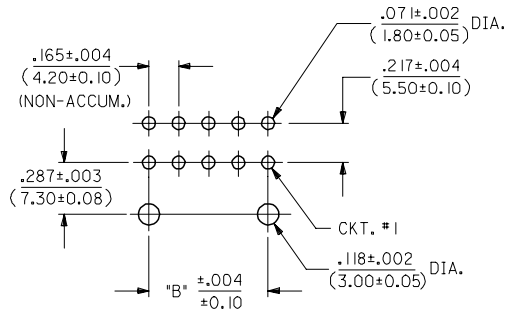
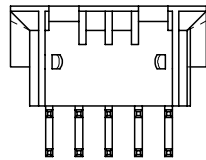


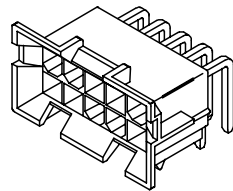
CIRCUIT SIZE	DIM. 'A'	DIM. 'B'
2	—	—
4	.59 (15.0)	.165 (4.20)
6	.76 (19.2)	.331 (8.40)
8	.92 (23.4)	.496 (12.60)
10	1.09 (27.6)	.661 (16.80)
12	1.25 (31.8)	.827 (21.00)
14	1.42 (36.0)	.992 (25.20)
16	1.58 (40.2)	1.157 (29.40)
18	1.75 (44.4)	1.323 (33.60)
20	1.91 (48.6)	1.488 (37.80)
22	2.08 (52.8)	1.654 (42.00)
24	2.24 (57.0)	1.819 (46.20)



SCALE 4:1



RECOMMENDED HOLE LAYOUT FOR .070/(1.78) MAX. THICK P.C. BOARD VIEWED FROM COMPONENT SIDE



A-44499-*

NOTES:

- MATERIAL:
HOUSING: "A" = NYLON 6/6, UL 94V-2, COLOR: NATURAL
"B" = NYLON 6/6, UL 94V-0, COLOR: NATURAL
TERMINALS: BRASS
- TERMINAL PLATING:
A = .000100/(.00254) MIN. BRIGHT TIN OVER .000050/(.00127) MIN. NICKEL OVERALL.
B = .000030/(.00076) MIN. GOLD OVER .000050/(.00127) MIN. NICKEL OVERALL.
C = .000030/(.00076) MIN. SELECT GOLD AND .000100/(.00254) MIN. MATTE TIN OVER .000050/(.00127) MIN. NICKEL OVERALL.
- PRODUCT SPECIFICATION: PS-5556-002
- PACKAGING: TRAY PACKED PER MOLEX SPECIFICATION PK-42404-002.
- PART MATES WITH MINI-FIT JR. RECEPTACLE 42385 AND 42474.
- PART ALLOWS FOR UP TO .100/(2.54) MISALIGNMENT WITH MATING RECEPTACLE IN ANY DIRECTION. SEE MATING CONNECTOR DRAWINGS FOR SPECIFIC ALLOWANCES.
- PART IS NOT DESIGNED FOR CURRENT SHARING.
- CONNECTOR ASSEMBLIES ARE NOT TO BE MATED OR UNMATED WHILE CIRCUITS ARE LIVE.
- CIRCUITS SHOWN PROVIDE THE "MAKE-FIRST/BREAK-LAST" FEATURE.
- PART CONFORMS TO CLASS B OF COSMETIC SPECIFICATION PS-45499-002.

4	C1
3	C1
2	C1
1	C1
SHT.	REV.

ADD P/N	FEC NO.	DRAWN BY	DATE	TITLE	GENERAL TOLERANCES (UNLESS SPECIFIED)		DIMENSION STYLE		SCALE	DESIGN UNITS	THIRD ANGLE PROJECTION
					mm	INCH	IN/MM	METRIC			
44499-0099	UCP2007-2017	AFG	09/13/94	SELECTIVELY-LOADED RT ANGLE DUAL ROW HEADER (MATE-FIRST/BREAK-LAST)	4 PLACES ±---	±---	IN/MM	2:1	METRIC	⊗	
DRW:LLSCHMIDT	2007/02/15	CHECKED BY	DATE		3 PLACES ±---	±.010					
CHKD:ADERR	2007/02/16	APPROVED BY	DATE		2 PLACES ±0.25	±.015					
APPR:FSM TH	2007/02/16	RJF	09/13/94		1 PLACE ±0.38	±---					
REV	DESCRIPTION	APPROVED BY		DATE	ANGULAR ±1/2°		MATERIAL NO.		DOCUMENT NO.		SHEET NO.
C1		RJF		09/13/94			SEE CHART		SDA-44499-*		1 OF 4
DRAFT WHERE APPLICABLE MUST REMAIN WITHIN DIMENSIONS					SIZE C		THIS DRAWING CONTAINS INFORMATION THAT IS PROPRIETARY TO MOLEX INCORPORATED AND SHOULD NOT BE USED WITHOUT WRITTEN PERMISSION				

		13	12	11	10	9	8	7	6	5	4	3	2	1												
ITEM NO.	CKT. SIZE	CHARACTERISTIC DESCRIPTION	LETTER INDICATES PIN PLATING AND LENGTH REQUIRED AT EACH CIRCUIT LOCATION. SEE NOTE 2 ON SHEET 1.																							
			I	2	3	4	5	6	7	8	9	10	11	12	13	14	15	16	17	18	19	20	21	22	23	24
J	44499-0036	24	24BA	AS	AS	AM	AM	AS	AS	AS	AS	AS	AS	AS	AS	AS	AS	AS	AS	AS	AS	AS	AS	AS	AS	AS
	44499-0037	14	14AA	AS	AS	AS	AS	AM	AM	AM	AS	AS	AS	AS	AS	AS	-	-	-	-	-	-	-	-	-	-
	44499-0038	10	10BB	BM	BM	BM	BM	BS	BS	BS	BS	BS	-	-	-	-	-	-	-	-	-	-	-	-	-	
	44499-0039	14	14AA	AS	AS	AS	AS	AS	AS	AM	AM	AM	AS	AS	AS	AS	-	-	-	-	-	-	-	-	-	
I	44499-0040	14	14AA	AS	AS	AS	V	AS	AS	AS	AM	V	AM	V	AS	AS	AS	-	-	-	-	-	-	-	-	
	44499-0041	14	14AA	AS	AS	AS	V	AS	AS	AS	AM	AS	AS	V	AS	AS	AM	-	-	-	-	-	-	-	-	
	44499-0042	10	10BB	BS	BS	BS	BS	BS	BS	BS	BS	BS	BM	-	-	-	-	-	-	-	-	-	-	-	-	
	44499-0043	18	18BB	BS	BS	BS	BS	BM	BS	BS	BS	BS	BS	BS	BS	BS	BM	BS	BS	BS	BS	-	-	-	-	
	44499-0044	04	04BB	BS	BS	BM	BM	-	-	-	-	-	-	-	-	-	-	-	-	-	-	-	-	-	-	
H	44499-0045	24	24BB	BM	BM	BM	BM	BM	BM	BM	BM	BM	BM	BM	BM	BM	BM	BM	BM	BM	BM	BM	BM	BM	BM	BM
	44499-0046	24	24B*	AM	AM	BM	BS	BM	AM	AM	AM	BS	AM	AM	AM	AM	AM	BM	BM	BS	AM	AM	AM	AM	AM	
	44499-0047	24	24AA	AS	AM	AM	AM	AM	AM	AM	AM	AM	AM	AM	AM	AM	AM	AM	AM	AM	AM	AM	AM	AM	AS	AM
	44499-0048	24	24BA	AM	AM	AM	AS	AM	AM	AM	AM	AS	AM	AM	AM	AM	AM	AM	AS	AM	AM	AM	AM	AM	AM	
G	44499-0049	24	24AA	AM	AM	AM	AM	AS	AS	AS	AS	AS	AS	AS	AS	AS	AS	AS	AS	AS	AS	AS	AS	AS	AS	
	44499-0050	06	06AA	AM	V	AS	V	AS	-	-	-	-	-	-	-	-	-	-	-	-	-	-	-	-	-	
	44499-0051	10	10AA	V	AS	V	AS	V	AS	V	AS	V	AS	-	-	-	-	-	-	-	-	-	-	-	-	
	44499-0052	18	18BA	AM	AM	AM	AS	AM	AM	AM	AM	AM	AM	AM	AS	AM	AM	AM	AM	-	-	-	-	-	-	
	44499-0053	18	18AA	AS	AS	AS	AS	AS	AS	AS	AM	AS	AS	AM	AS	AS	AS	AS	AS	-	-	-	-	-	-	
F	44499-0055	10	10BB	BS	BM	BM	BM	BM	BM	BM	BM	BM	-	-	-	-	-	-	-	-	-	-	-	-	-	
	44499-0056	14	14BB	BS	BM	BS	BS	BS	BS	BS	BS	BS	BS	BS	BS	-	-	-	-	-	-	-	-	-	-	
	44499-0057	18	18B*	AS	AS	AM	AM	BS	BS	AS	AM	BS	AS	AS	AM	AM	BM	BS	AS	BS	-	-	-	-	-	
	44499-0058	24	24AA	AS	AS	AM	AM	AM	AM	AM	AM	AM	AM	AM	AM	AM	AM	AM	AM	AM	AM	AM	AM	AS	AM	
E	44499-0059	14	14AA	AS	V	AM	AS	AS	AS	AS	AS	V	AS	AS	AS	AS	AM	-	-	-	-	-	-	-	-	
	44499-0060	24	24BB	BS	BS	BM	BS	BS	BS	BS	BS	BS	BM	BS	BS	BS	BS	BS	BS	BS	BS	BS	BM	BS	BS	
	44499-0061	06	06BA	AM	AM	AM	AM	AM	AM	-	-	-	-	-	-	-	-	-	-	-	-	-	-	-	-	
	44499-0062	14	14BB	BS	BS	BM	BM	BS	BS	BM	BM	BS	BS	BS	BS	BM	-	-	-	-	-	-	-	-	-	
D	44499-0063	18	18BA	AM	AM	AM	AM	AS	AS	AS	AS	AS	AS	AS	AS	AM	AM	AM	AM	-	-	-	-	-	-	
	44499-0064	18	18BA	AS	AS	AS	AS	AS	AS	AS	AS	AS	AS	AM	AM	AS	AS	AS	AS	-	-	-	-	-	-	
	44499-0065	24	24BB	BS	BM	BM	BM	BM	BM	BM	BM	BM	BM	BM	BM	BM	BM	BM	BM	BM	BM	BM	BM	BS	BM	
	44499-0066	18	18BA	AS	AS	AS	AS	AS	AS	AS	AS	AS	AS	AS	AM	AS	AS	AS	AM	-	-	-	-	-	-	
	44499-0067	06	06AA	AS	AS	AM	AS	AS	AS	-	-	-	-	-	-	-	-	-	-	-	-	-	-	-	-	
C	44499-0068	24	24AA	AS	AS	AS	AS	AS	AS	AS	AS	AS	AM	AS	AS	AS	AS	AS	AS	AS	AS	AS	AS	AS	AS	
	44499-0069	18	18BA	AS	AM	AS	AS	AS	AM	AS	AS	AS	AS	AM	AS	AS	AM	AS	AS	AM	-	-	-	-	-	
	44499-0070	10	10BA	AS	AS	AS	AS	AS	AM	AS	AS	AS	AM	-	-	-	-	-	-	-	-	-	-	-	-	
	44499-0071	24	24BB	BS	BS	BS	BS	BS	BS	BS	BS	BS	BS	BS	BS	BS	BS	BS	BS	BS	BS	BS	BS	BS	BS	

CHARACTERISTICS LEGEND:

CIRCUIT SIZE _____ ** * *

(02-24)

HOUSING MATERIAL _____

A = NYLON 6/6, U.L. 94V-2,
COLOR: NATURAL

B = NYLON 6/6, U.L. 94V-0,
COLOR: NATURAL

TERMINAL PLATING _____

A = 100 m.i. TIN OVERALL
B = 30 m.i. GOLD OVERALL
C = 30 m.i. SELECT GOLD
* = MIXED TIN AND GOLD

TERMINAL PLATING AND LENGTH CODE

AS = 100 m.i. TIN, STANDARD LENGTH
 BS = 30 m.i. GOLD, STANDARD LENGTH
 CS = 30 m.i. SELECT GOLD, STANDARD LENGTH
 AM = 100 m.i. TIN, MATE-FIRST/BREAK-LAST
 BM = 30 m.i. GOLD, MATE-FIRST/BREAK-LAST
 CM = 30 m.i. SELECT GOLD, MATE-FIRST/BREAK-LAST
 V = VOID CIRCUIT

SEE SHEET ONE
 FC NO: UCP2007-2017
 DRAWN:LSCHH10T 2007/02/16
 CHKD:ADERR 2007/02/16
 APPR:FSM TH 2007/02/16

REVISIONS
 1 C1

QUALITY SYMBOLS
 ▽=0
 ▽=0

GENERAL TOLERANCES (UNLESS SPECIFIED)

	mm	INCH
4 PLACES	± .005	± .0004
3 PLACES	± .008	± .0005
2 PLACES	± .015	± .0010
1 PLACE	± .030	± .0020
ANGULAR ± .005°		

DRAFT WHERE APPLICABLE
 MUST REMAIN WITHIN DIMENSIONS

DIMENSION STYLE
 IN/MM

SCALE

DESIGN UNITS
 INCH

THIRD ANGLE PROJECTION

DRAWN BY
 LEM

DATE
 04/29/99

CHECKED BY
 MAB

DATE
 04/29/99

APPROVED BY
 RRE

DATE
 04/29/99

MATERIAL NO.

DOCUMENT NO.

SHEET NO.
 3 OF 4

SELECTIVELY-LOADED RT.
 ANGLE DUAL ROW HEADER
 (MATE-FIRST/BREAK-LAST)

MOLEX MOLEX INCORPORATED

SEE CHART

SDA-44499-*

THIS DRAWING CONTAINS INFORMATION THAT IS PROPRIETARY TO MOLEX INCORPORATED AND SHOULD NOT BE USED WITHOUT WRITTEN PERMISSION