



**Data Display Products®**

**T-1<sup>3/4</sup> PCB MOUNT LEDs**

*Specialty Operation, Single*

- Low Power, Bi-Color, Blinking, Integrated Resistor
- Red, Amber, Green
- For Detailed LED Data, See Discrete Section, MODEL 200

Model		LED(Model 200)				
		Color	λpk (nm)	Iv[1] (mcd)	Description	
<b>PCL200</b>	Right Angle Mount	<b>-R1P</b>	RED	635	2.0	Low Power
<b>PCL200C</b>	Right Angle, Center Pin	<b>-A1P</b>	AMB	583	1.8	Low Power
<b>PCH200</b>	Right Angle Mount	<b>-G1P</b>	GRN	565	1.8	Low Power
<b>PCV200</b>	Vertical Mount	<b>-LRG</b>	R/G	660/565	70/32	Bi-Color, Green Cathode
<b>PCLR200</b>	Right Angle Mount	<b>-RAG[2]</b>	R/A/G	630/565	6/6	Tri-Color, Common Cathode
<b>PCL201-200</b>	Right Angle Mount	<b>-ERB</b>	RED	660	22	Blinking
<b>PCA200</b>	Right Angle Mount	<b>-RB</b>	RED	630	7	Blinking
<b>PCL245[3]</b>	45° Angle Mount	<b>-AB</b>	AMB	585	6	Blinking
		<b>-GB</b>	GRN	567	8	Blinking
		<b>-BR5V</b>	RED	635	8	Integrated Resistor for 5VDC
		<b>-BA5V</b>	AMB	583	8	Integrated Resistor for 5VDC
		<b>-BG5V</b>	GRN	565	8	Integrated Resistor for 5VDC
		<b>-BR12V</b>	RED	635	8	Integrated Resistor for 12VDC
		<b>-BA12V</b>	AMB	583	8	Integrated Resistor for 12VDC
		<b>-BG12V</b>	GRN	565	8	Integrated Resistor for 12VDC

[1] Iv = typical luminous intensity @ If = 20mA(Ta = 25°C). For Low Power LEDs, @ If = 2mA. For Integrated Resistor LEDs, @ Vf = 5VDC, or @ Vf = 12VDC.  
 [2] Available with model PCH200 only.  
 [3] Not available with Integrated Resistors 5VDC & 12VDC.

**To Order:** Select one **BOLD** component from each **SHADED** column in the table except as noted.

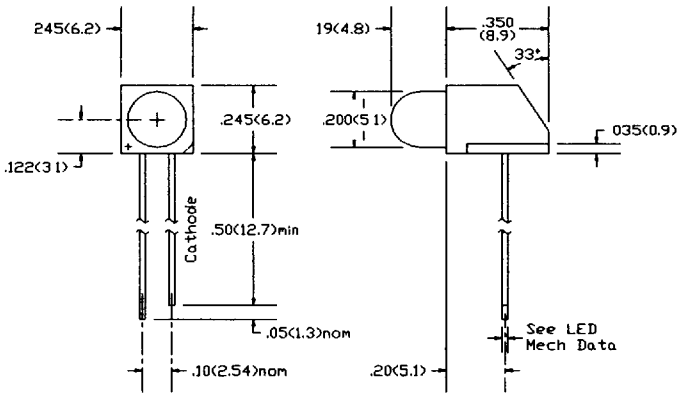
**Examples:** **PCL200-BR12V** (Model PCL200, Diffused RED LED, Integrated Resistor 12VDC)  
**PCH200-LRG** (Model PCH200, Bi-Color LED)

All dimensions are in inches(mm)  
 Tolerances: .xx"(x) ± .025"(63) / .xxx"(xx) ± .010"(25)  
 Specifications are subject to change without notice.

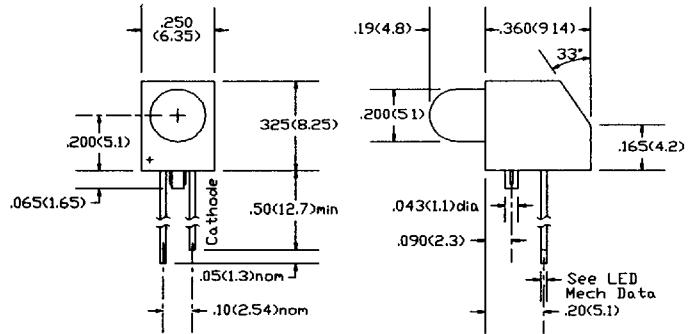


**Data Display Products®**

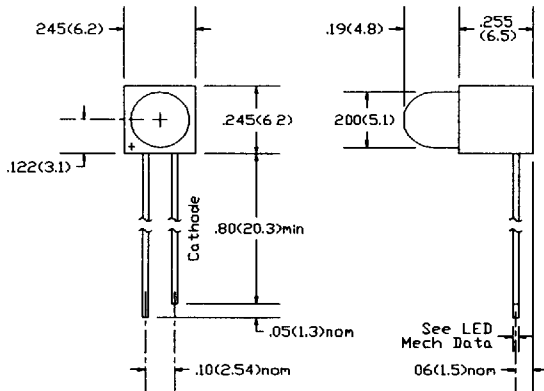
**T-1<sup>3/4</sup> PCB MOUNT LEDs**  
*Specialty Operation, Single*



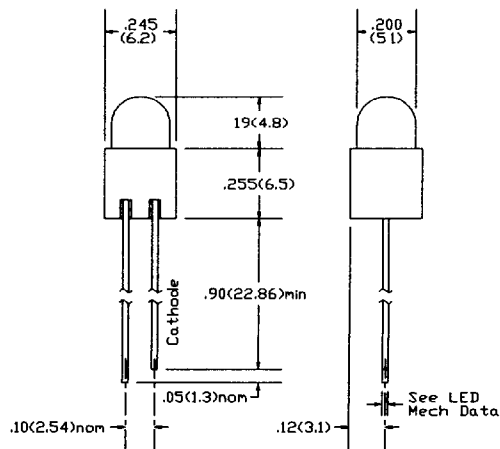
**PCL200**



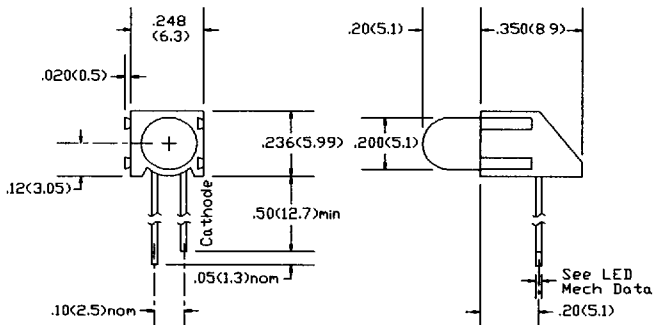
**PCL200C**



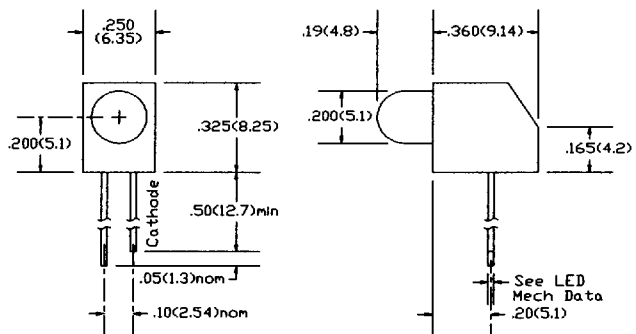
**PCH200**



**PCV200**



**PCLR200**



**PCL201-200**

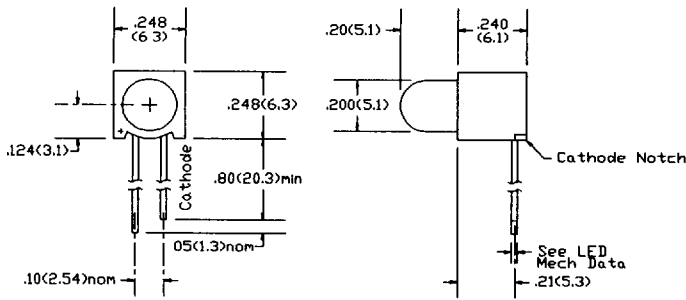
All dimensions are in inches(mm)  
 Tolerances: xx"(x) ± .025"(.63) / xxx"(xx) ± .010"(.25)  
 Specifications are subject to change without notice.



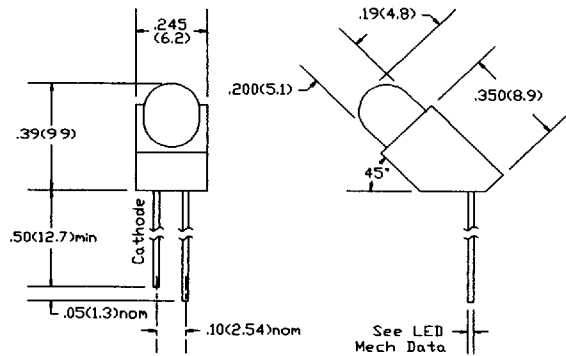
Data Display Products®

T-1<sup>3</sup>/<sub>4</sub> PCB MOUNT LEDs

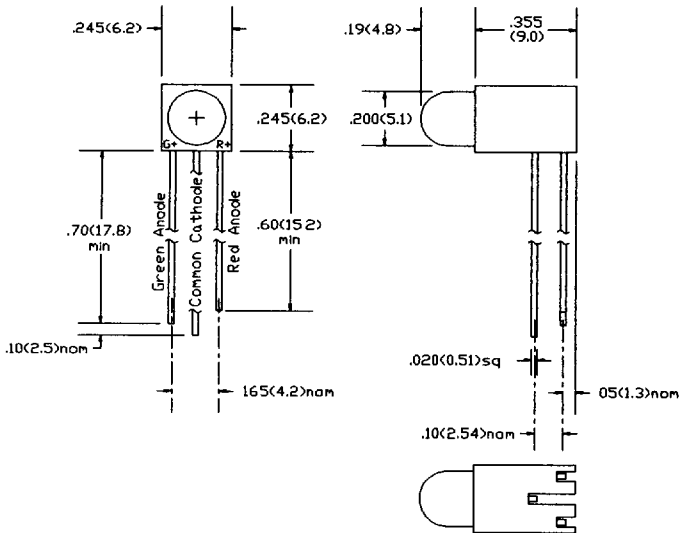
Specialty Operation, Single



PCA200



PCL245



PCH200-RAG

All dimensions are in inches(mm)  
 Tolerances:  $xx(x) \pm .025''(.63)$  /  $xxx''(xx) \pm .010''(.25)$   
 Specifications are subject to change without notice.