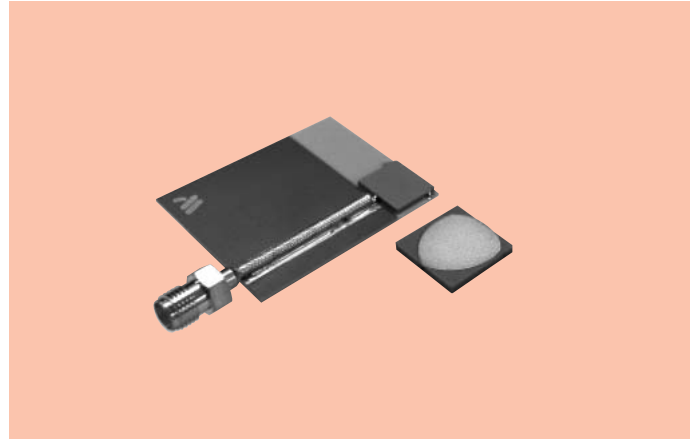


Small UWB Antenna DCA-E03

Telecommunication component

OUTLINE

Small UWB antenna of 10x10x1mm using a single-sided ceramic board.



FEATURES

1. Slim size: 10x10x1mm.
2. Excellent VSWR characteristics over wide bandwidth from 3.1 to 10.6 GHz.

USES

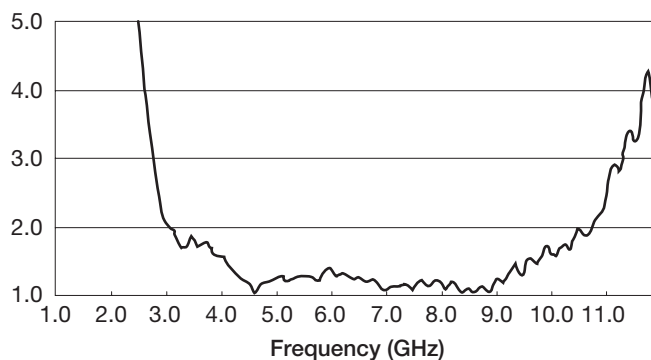
1. For wireless USB
2. For HD TV
3. For high-speed storage

SPECIFICATIONS

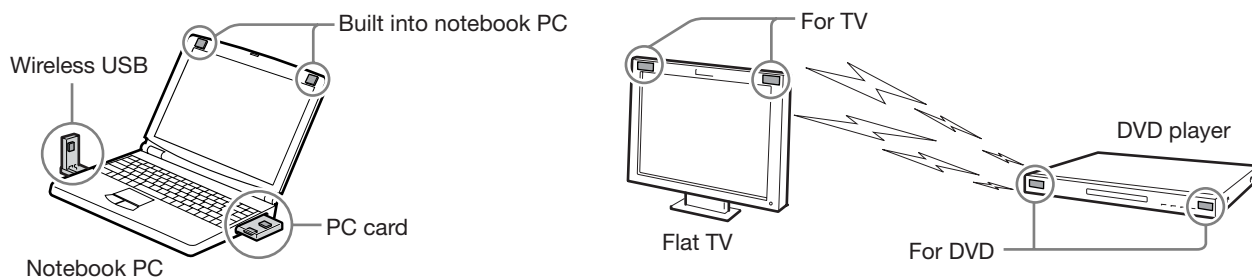
Item	Specifications
Used frequency	3.1 to 10.6 GHz
Polarization	Linear polarization
VSWR	≤ 2.0
Output impedance	50Ω

*Specifications are subject to change due to ongoing product development and improvement.

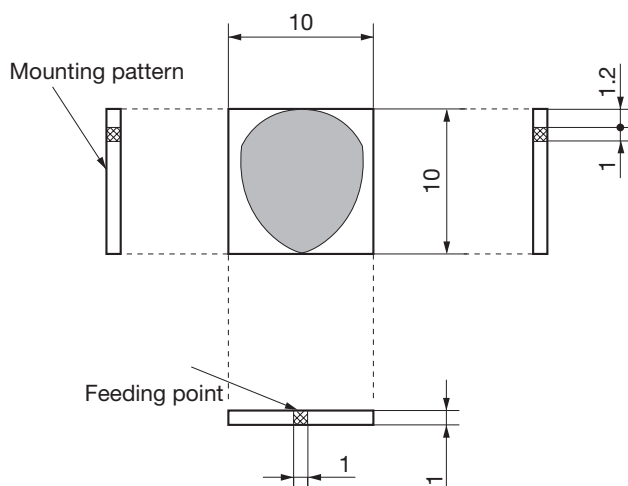
VSWR DATA



CHARACTERISTIC DIAGRAM



DIMENSIONS



Unit: mm