

30V N-Channel Enhancement Mode MOSFET

$V_{DS} = 30V$

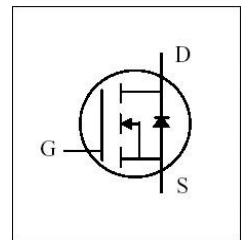
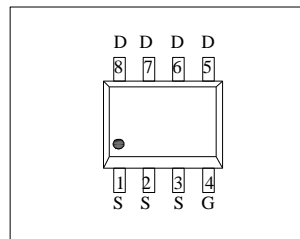
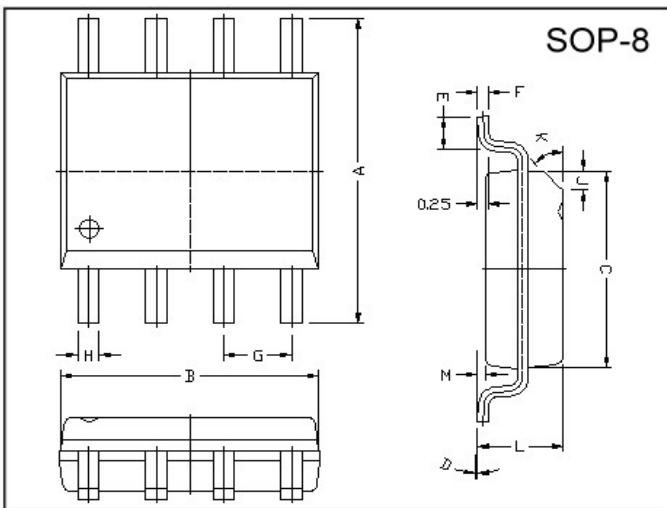
$R_{DS(ON)}, V_{GS} @ 10V, I_{ds} @ 12A = 10.5m\Omega$

$R_{DS(ON)}, V_{GS} @ 4.5V, I_{ds} @ 12A = 15m\Omega$

Features

- Advanced trench process technology
- High Density Cell Design For Ultra Low On-Resistance
- Fully Characterized Avalanche Voltage and Current
- Improved Shoot-Through FOM

Package Dimensions



REF.	Millimeter		REF.	Millimeter	
	Min.	Max.		Min.	Max.
A	5.80	6.20	M	0.10	0.25
B	4.80	5.00	H	0.35	0.49
C	3.80	4.00	L	1.35	1.75
D	0°	8°	J	0.375 REF.	
E	0.40	0.90	K	45°	
F	0.19	0.25	G	1.27 TYP.	

Maximum Ratings and Thermal Characteristics (TA = 25°C unless otherwise noted)

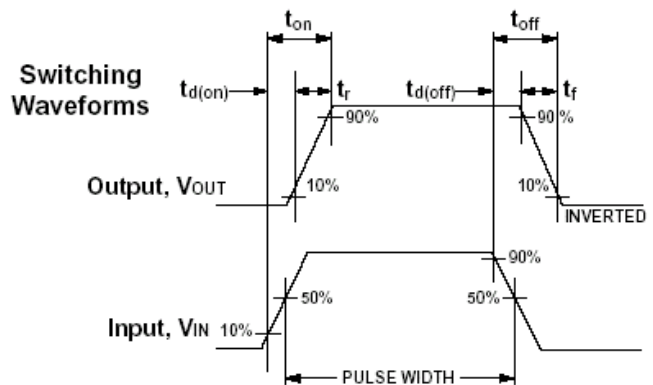
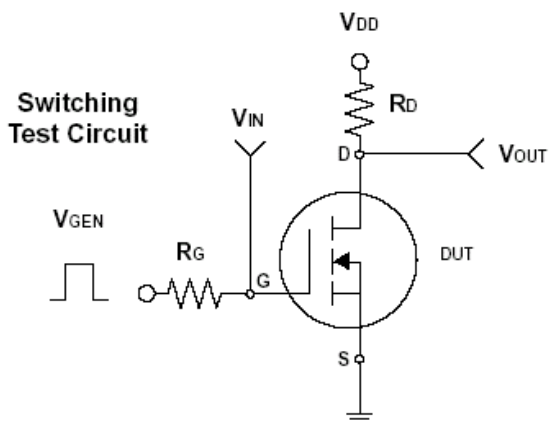
Parameter	Symbol	Limit	Unit	
Drain-Source Voltage	V_{DS}	30	V	
Gate-Source Voltage	V_{GS}	± 20		
Continuous Drain Current	I_D	12	A	
Pulsed Drain Current	I_{DM}	48		
Maximum Power Dissipation	P_D	TA = 25°C	2.5	W
		TA = 75°C	1.2	
Operating Junction and Storage Temperature Range	T_J, T_{stg}	-55 to 150	°C	
Avalanche Energy with Single Pulse	EAS	150	mJ	
Junction-to-Case Thermal Resistance	$R_{\theta JC}$	25	°C/W	
Junction-to-Ambient Thermal Resistance (PCB mounted)	$R_{\theta JA}$	50		

30V N-Channel Enhancement Mode MOSFET

ELECTRICAL CHARACTERISTICS

Parameter	Symbol	Test Condition	Min.	Typ.	Max.	Unit
Static						
Drain-Source Breakdown Voltage	BV_{DSS}	$V_{GS} = 0V, I_D = 250\mu A$	30			V
Drain-Source On-State Resistance	$R_{DS(on)}$	$V_{GS} = 4.5V, I_D = 12A$		11.0	15.0	mΩ
Drain-Source On-State Resistance	$R_{DS(on)}$	$V_{GS} = 10V, I_D = 12A$		8.5	10.5	
Gate Threshold Voltage	$V_{GS(th)}$	$V_{DS} = V_{GS}, I_D = 250\mu A$	1	1.8	3	V
Zero Gate Voltage Drain Current	I_{DSS}	$V_{DS} = 24V, V_{GS} = 0V$			1	μA
Gate Body Leakage	I_{GSS}	$V_{GS} = \pm 20V, V_{DS} = 0V$			±100	nA
Forward Transconductance	g_{fs}	$V_{DS} = 15V, I_D = 12A$		64	—	S
Dynamic						
Total Gate Charge	Q_g	$V_{DS} = 15V, I_D = 12A$ $V_{GS} = 5V$		12	45	nC
Gate-Source Charge	Q_{gs}			4.5		
Gate-Drain Charge	Q_{gd}			3.6		
Turn-On Delay Time	$t_{d(on)}$	$V_{DD} = 15V, R_G = 6\Omega$ $I_D = 1A, V_{GS} = 10V$		22	35	ns
Turn-On Rise Time	t_r			13	20	
Turn-Off Delay Time	$t_{d(off)}$			82	125	
Turn-Off Fall Time	t_f			30	45	
Input Capacitance	C_{iss}	$V_{DS} = 15V, V_{GS} = 0V$ $f = 1.0\text{ MHz}$		1180		pF
Output Capacitance	C_{oss}			270		
Reverse Transfer Capacitance	C_{rss}			145		
Source-Drain Diode						
Max. Diode Forward Current	I_S				2.0	A
Diode Forward Voltage	V_{SD}	$I_S = 2A, V_{GS} = 0V$			1.5	V

Note: Pulse test: pulse width ≤ 300us, duty cycle ≤ 2%



30V N-Channel Enhancement Mode MOSFET

Typical Characteristics (T_J =25°C Noted)

