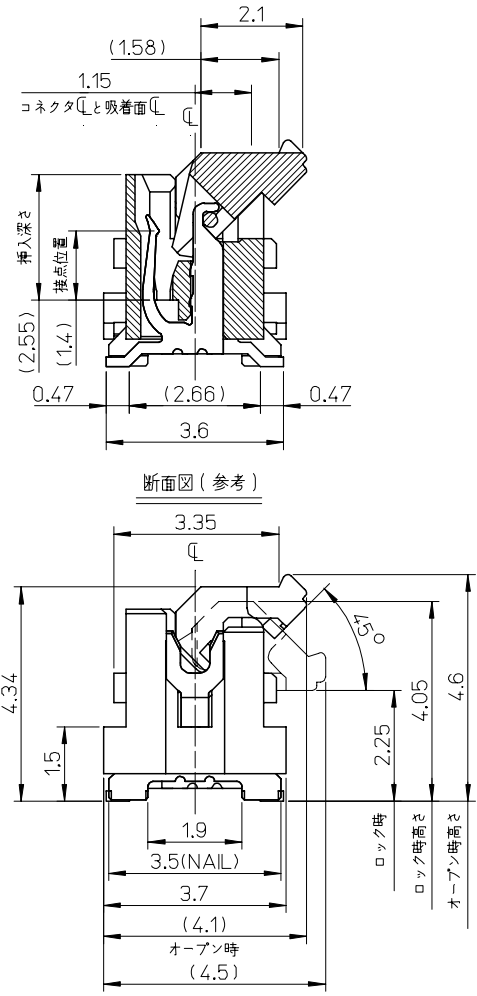
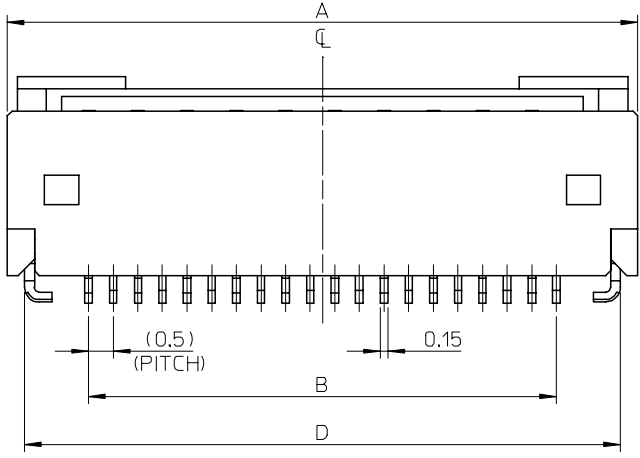
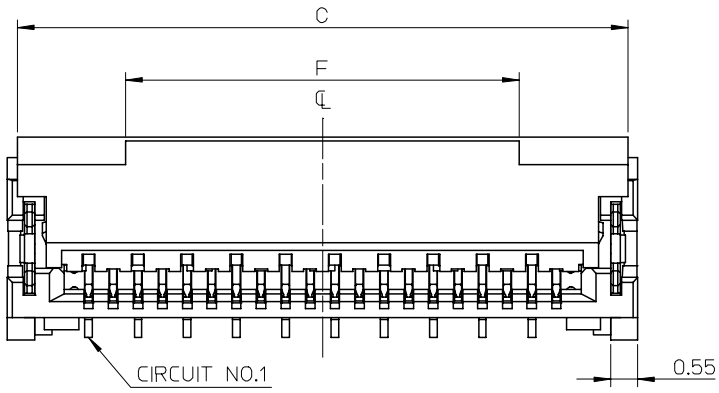


10 9 8 7 6 5 4 3 2 1



注記
NOTES
~~~~~

- 材質  
MATERIAL  
ハウジング: LCP (液晶ポリマー), ガラス充填, 白色, UL94V-0  
HOUSING: LCP (LIQUID CRYSTAL POLYMER),  
GLASS FILLED, WHITE, UL94V-0  
アクチュエータ: ポリアミド 9T, ガラス充填, 茶色, UL94V-0  
ACTUATOR: POLYAMIDE 9T,  
GLASS FILLED, BROWN, UL94V-0  
ターミナル: 銅合金 (t=0.15)  
TERMINAL: COPPER ALLOY (t=0.15)  
金具: 銅合金 (t=0.2)  
NAIL: COPPER ALLOY (t=0.2)
- メッキ仕様  
PLATING  
ターミナル  
TERMINAL  
銅ビスマスメッキ  
TIN BISMUTH PLATING  
下地メッキ: ニッケルメッキ  
UNDER PLATING: NICKEL PLATING  
金具  
NAIL  
銅メッキ  
TIN PLATING  
下地メッキ: ニッケルメッキ  
UNDER PLATING: NICKEL PLATING
- テールと金具を併せた平坦度は、0.1ミリメートル以下。  
TAILS AND NAILS COPLANARITY TO BE 0.1 MAXIMUM.
- ELV及びRoHS適合品  
ELV AND ROHS COMPLIANT.

|   |      |      |      |      |      |             |              |
|---|------|------|------|------|------|-------------|--------------|
| 8 | 30.7 | 32.1 | 32.4 | 29.5 | 32.8 | 501951-6009 | 60           |
|   | 25.7 | 27.1 | 27.4 | 24.5 | 27.8 | 501951-5009 | 50           |
|   | 23.2 | 24.6 | 24.9 | 22   | 25.3 | 501951-4509 | 45           |
|   | 20.7 | 22.1 | 22.4 | 19.5 | 22.8 | 501951-4009 | 40           |
|   | 16.7 | 18.1 | 18.4 | 15.5 | 18.8 | 501951-3209 | 32           |
|   | 15.7 | 17.1 | 17.4 | 14.5 | 17.8 | 501951-3009 | 30           |
|   | 12.7 | 14.1 | 14.4 | 11.5 | 14.8 | 501951-2409 | 24           |
|   | F    | E    | D    | C    | B    | A           | MATERIAL NO. |

|                                                                                                                 |                                          |       |                                                            |                    |                                                                        |                                                                                                                                  |                     |
|-----------------------------------------------------------------------------------------------------------------|------------------------------------------|-------|------------------------------------------------------------|--------------------|------------------------------------------------------------------------|----------------------------------------------------------------------------------------------------------------------------------|---------------------|
| REVISED<br>EC NO: J2007-2987<br>DRWN: TRSUZUKI 2007/04/26<br>CHKD: HIRATA 2007/04/26<br>APPR: HIRATA 2007/04/26 | GENERAL TOLERANCES<br>(UNLESS SPECIFIED) |       | DIMENSION STYLE<br>MM ONLY                                 | SCALE<br>10:1      | DESIGN UNITS<br>METRIC                                                 | THIRD ANGLE<br>PROJECTION                                                                                                        |                     |
|                                                                                                                 | 10 UNDER                                 | ±0.2  | DRAWN BY<br>TRSUZUKI                                       | DATE<br>2005/12/05 | TITLE<br>0.5 FPC CONN. HSG ASSY<br>EASY ON / STRAIGHT<br>(TIN-BISMUTH) |                                                                                                                                  |                     |
|                                                                                                                 | 10 OVER 30 UNDER                         | ±0.25 | CHECKED BY<br>HIRATA                                       | DATE<br>2005/12/05 | MOLEX INCORPORATED                                                     |                                                                                                                                  |                     |
|                                                                                                                 | 30 OVER                                  | ±0.3  | APPROVED BY<br>MSASAO                                      | DATE<br>2005/12/05 | MATERIAL NO.                                                           | DOCUMENT NO.<br>SD-501951-001                                                                                                    | SHEET NO.<br>1 OF 2 |
|                                                                                                                 | ANGULAR                                  | ±1 °  | DRAFT WHERE APPLICABLE<br>MUST REMAIN<br>WITHIN DIMENSIONS |                    | SIZE<br>A3                                                             | THIS DRAWING CONTAINS INFORMATION THAT IS PROPRIETARY TO MOLEX<br>INCORPORATED AND SHOULD NOT BE USED WITHOUT WRITTEN PERMISSION |                     |

10 9 8 7 6 5 4 3 2 1

F

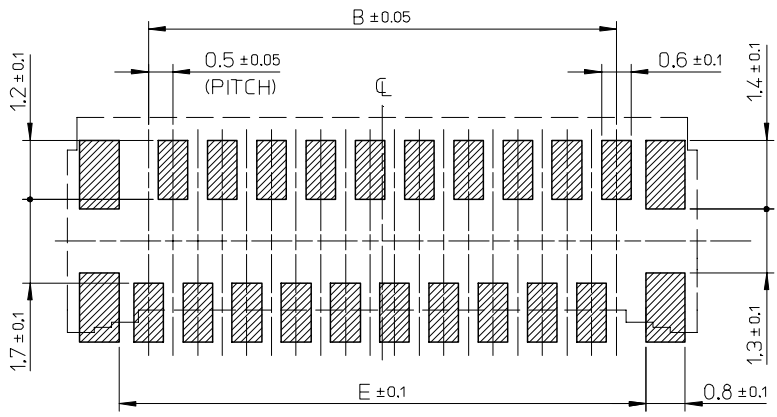
E

D

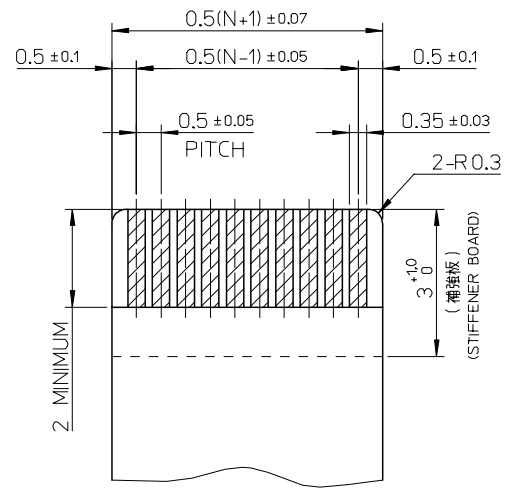
C

B

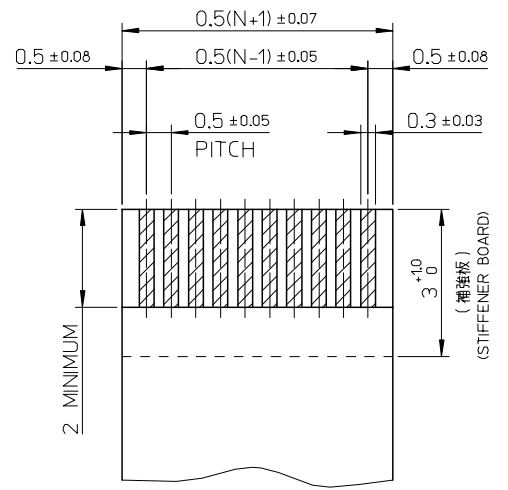
A



参考基板レイアウト (マウント面)  
P.C. BOARD PATTERN DIMENSION (REF.)  
(MOUNT AREA)



適合FPC推奨寸法  
APPLICABLE FPC  
RECOMMENDED DIMENSION  
(仕上がり厚さ: 0.3 ± 0.03)  
(THICKNESS: 0.3 ± 0.03)



適合FFC推奨寸法  
APPLICABLE FFC  
RECOMMENDED DIMENSION  
(仕上がり厚さ: 0.3 ± 0.03)  
(THICKNESS: 0.3 ± 0.03)

FPCについて:  
打抜き方向は導体側から精強板側を推奨致します。  
補強フィルム材質はポリイミドを推奨致します。  
接着剤は熱硬化接着剤を推奨致します。

ABOUT FPC:  
RECOMMENDED PUNCHER DIRECTION:  
FROM CONDUCTOR SIDE TO STIFFENER BOARD SIDE.  
RECOMMENDED MATERIAL:  
STIFFENER FILM: POLYIMIDE  
BONDING AGENT: THERMOSETTING BONDING AGENT

|                                                                                                                      |                                       |            |                            |                    |                                                                        |                        |                        |  |
|----------------------------------------------------------------------------------------------------------------------|---------------------------------------|------------|----------------------------|--------------------|------------------------------------------------------------------------|------------------------|------------------------|--|
| SEE SHEET 1<br>EC NO: J2007-2987<br>DRAWN: TRSUZUKI 2007/04/26<br>CHKD: HIRATA 2007/04/26<br>APPR: HIRATA 2007/04/26 | GENERAL TOLERANCES (UNLESS SPECIFIED) |            | DIMENSION STYLE<br>MM ONLY |                    | SCALE<br>10:1                                                          | DESIGN UNITS<br>METRIC | THIRD ANGLE PROJECTION |  |
|                                                                                                                      | 10 UNDER                              | ± 0.2      | DRAWN BY<br>TRSUZUKI       | DATE<br>2005/12/05 | TITLE<br>0.5 FPC CONN. HSG ASSY<br>EASY ON / STRAIGHT<br>(TIN-BISMUTH) |                        |                        |  |
|                                                                                                                      | 10 OVER 30 UNDER                      | ± 0.25     | CHECKED BY<br>HIRATA       | DATE<br>2005/12/05 |                                                                        |                        |                        |  |
|                                                                                                                      | 30 OVER                               | ± 0.3      | APPROVED BY<br>MSASAO      | DATE<br>2005/12/05 | MOLEX INCORPORATED                                                     |                        |                        |  |
|                                                                                                                      | ANGULAR                               | ± 1 °      | MATERIAL NO.               | DOCUMENT NO.       |                                                                        |                        |                        |  |
| DRAFT WHERE APPLICABLE MUST REMAIN WITHIN DIMENSIONS                                                                 |                                       | SIZE<br>A3 | SEE SHEET 1                |                    | SD-501951-001                                                          | 2 OF 2                 |                        |  |

10 9 8 7 6 5 4 3 2 1

F

E

D

C

B

A

F

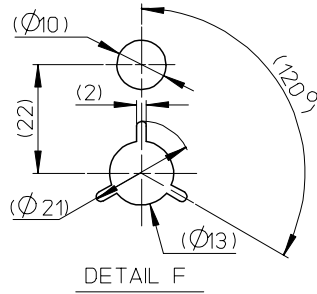
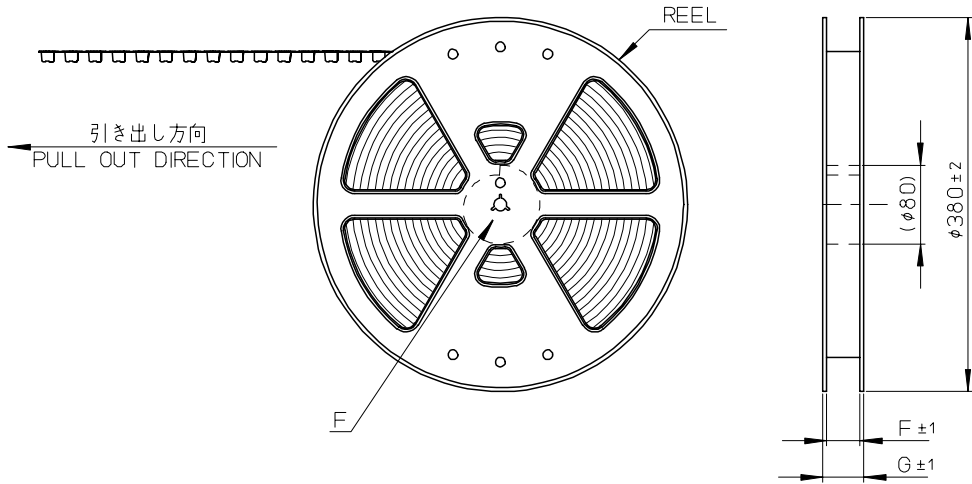
E

D

C

B

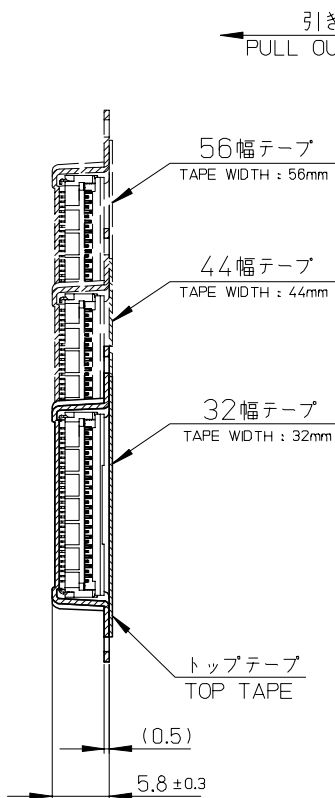
A



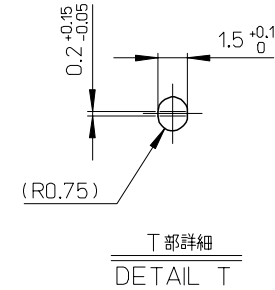
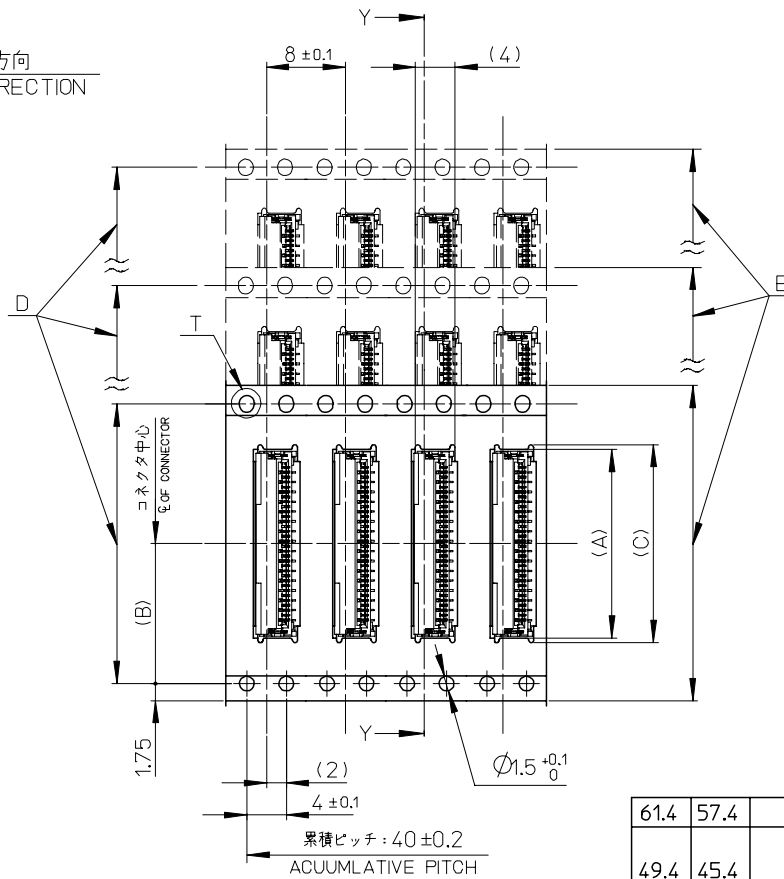
NOTES

- 製品詳細寸法については SD-501951-001 を参照ください。  
RE DETAILED DIMENSION, SEE SD-501951-001
- 梱包数量：2000 個/リール  
NUMBER OF CONNECTORS : 2000 PIECES/REEL
- リードテープ長さ  
LEAD TAPE LENGTH
- 材料  
MATERIAL  
 キャリアテープ：ポリプロピレン (PP)  
 CARRIER TAPE: POLYPROPYLENE (PP)  
 トップテープ：PET, PE, REF  
 TOP TAPE  
 リール：ポリスチレン (リサイクル材を含む)  
 REEL : POLYSTYRENE (RECYCLE MATERIAL CONTAINED)
- ELV 及び RoHS 適合品  
ELV AND RoHS COMPLIANT.

|                                                                                                                 |                                       |            |                                                                                                                               |                    |                                                                             |                        |
|-----------------------------------------------------------------------------------------------------------------|---------------------------------------|------------|-------------------------------------------------------------------------------------------------------------------------------|--------------------|-----------------------------------------------------------------------------|------------------------|
| REVISED<br>EC NO: J2007-2987<br>DRWN: TRSUZUKI 2007/04/26<br>CHKD: HIRATA 2007/04/26<br>APPR: HIRATA 2007/04/26 | GENERAL TOLERANCES (UNLESS SPECIFIED) |            | DIMENSION STYLE<br>MM ONLY                                                                                                    | SCALE<br>---       | DESIGN UNITS<br>METRIC                                                      | THIRD ANGLE PROJECTION |
|                                                                                                                 | 10 UNDER                              | ± 0.2      | DRAWN BY<br>TRSUZUKI                                                                                                          | DATE<br>2005/12/05 | TITLE<br>0.5 FPC CONN. HSG ASSY<br>E/O STRAIGHT EMBSTP PKG<br>(TIN-BISMUTH) |                        |
|                                                                                                                 | 10 OVER 30 UNDER                      | ± 0.25     | CHECKED BY<br>HIRATA                                                                                                          | DATE<br>2005/12/05 | MOLEX INCORPORATED                                                          |                        |
|                                                                                                                 | 30 OVER                               | ± 0.3      | APPROVED BY<br>MSASAO                                                                                                         | DATE<br>2005/12/05 |                                                                             |                        |
|                                                                                                                 | ANGULAR                               | ± 1 °      | MATERIAL NO.<br>SEE SHEET 2                                                                                                   |                    | DOCUMENT NO.<br>SD-501951-002                                               | SHEET NO.<br>1 OF 2    |
| DRAFT WHERE APPLICABLE MUST REMAIN WITHIN DIMENSIONS                                                            |                                       | SIZE<br>A3 | THIS DRAWING CONTAINS INFORMATION THAT IS PROPRIETARY TO MOLEX INCORPORATED AND SHOULD NOT BE USED WITHOUT WRITTEN PERMISSION |                    |                                                                             |                        |



断面 Y-Y  
SECTION Y-Y



|      |      |                                     |      |      |      |      |                      |                |
|------|------|-------------------------------------|------|------|------|------|----------------------|----------------|
| 61.4 | 57.4 | 56 ± 0.3                            | 52.4 | 34.1 | 26.2 | 33.1 | 501951-6000          | 60             |
| 49.4 | 45.4 | 44 ± 0.3                            | 40.4 | 29.1 | 20.2 | 28.1 | 501951-5000          | 50             |
|      |      |                                     |      | 24.1 |      | 23.1 | 501951-4500          | 45             |
| 37.4 | 33.4 | 32 ± 0.3                            | 28.4 | 20.1 | 14.2 | 19.1 | 501951-3200          | 32             |
|      |      |                                     |      | 16.1 |      | 18.1 | 501951-3000          | 30             |
|      |      |                                     |      |      |      | 15.1 | 501951-2400          | 24             |
| G    | F    | E<br>キャリアテープ幅<br>CARRIER TAPE WIDTH | D    | (C)  | (B)  | (A)  | 製品番号<br>MATERIAL NO. | 極数<br>CIRCUITS |

|                                                                                |                                                       |                                          |        |                                                            |                    |                                                                             |                        |                           |  |
|--------------------------------------------------------------------------------|-------------------------------------------------------|------------------------------------------|--------|------------------------------------------------------------|--------------------|-----------------------------------------------------------------------------|------------------------|---------------------------|--|
| REVISED<br>EC NO: J2007-2987<br>DRWN: TRSUZUKI<br>CHKD: HIRATA<br>APPR: HIRATA | DESCRIPTION<br>2007/04/26<br>2007/04/26<br>2007/04/26 | GENERAL TOLERANCES<br>(UNLESS SPECIFIED) |        | DIMENSION STYLE<br>MM ONLY                                 |                    | SCALE<br>---                                                                | DESIGN UNITS<br>METRIC | THIRD ANGLE<br>PROJECTION |  |
|                                                                                |                                                       | 10 UNDER                                 | ± 0.2  | DRAWN BY<br>TRSUZUKI                                       | DATE<br>2005/12/05 | TITLE<br>0.5 FPC CONN. HSG ASSY<br>E/O STRAIGHT EMBSTP PKG<br>(TIN-BISMUTH) |                        |                           |  |
|                                                                                |                                                       | 10 OVER 30 UNDER                         | ± 0.25 | CHECKED BY<br>HIRATA                                       | DATE<br>2005/12/05 | MOLEX INCORPORATED                                                          |                        |                           |  |
|                                                                                |                                                       | 30 OVER                                  | ± 0.3  | APPROVED BY<br>MSASAO                                      | DATE<br>2005/12/05 | MATERIAL NO.<br>SEE CHART                                                   |                        |                           |  |
|                                                                                |                                                       | ANGULAR                                  | ± 1 °  | DRAFT WHERE APPLICABLE<br>MUST REMAIN<br>WITHIN DIMENSIONS |                    | DOCUMENT NO.<br>SD-501951-002                                               |                        | SHEET NO.<br>2 OF 2       |  |