

New Jersey Semi-Conductor Products, Inc.

20 STERN AVE.
 SPRINGFIELD, NEW JERSEY 07081
 U.S.A.

TELEPHONE: (973) 376-2922
 (212) 227-6005
 FAX: (973) 376-8960

PARAMETERS

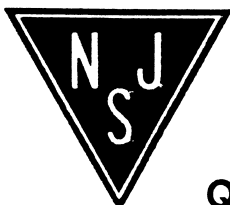
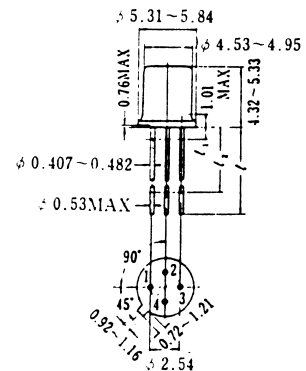
25C1260
 Si NPN LP HF BJT

Description: Si NPN LP HF BJT

Manufacturer.....	
Mil/High-Rel? (Y/N).....	
Vbr CEO.....	25h
Trans. Freq (Hz) Min.....	2.0G
hfe.....	
@VCE (test) (V).....	
@Ic (A).....	
Ic Max. (A).....	30m
C(ob) (F).....	.50p
Icbo Max. @Vcb Max. (A).....	.10u
t(on) Delay (S).....	
Tr Max. (s).....	
t(stor) Max. (S).....	
t(f) Max. (S).....	
Max. PD (W).....	250m
Derate (Amb) (W/°C).....	2.5m
Vbr CBO.....	45
Oper. Temp (°C) Max.....	175u
@ Temp (derating) test °C.....	
Oper. Temp (°C) Min.....	
Pkg Style.....	
Surface Mounted (Y/N).....	N
Pinout Equivalence Number.....	4-20

Junction Temperature 2 It(rms) b Not at Breakdown Voltage

TO-72形



Quality Semi-Conductors