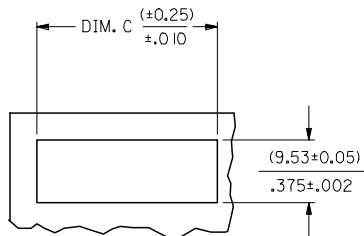
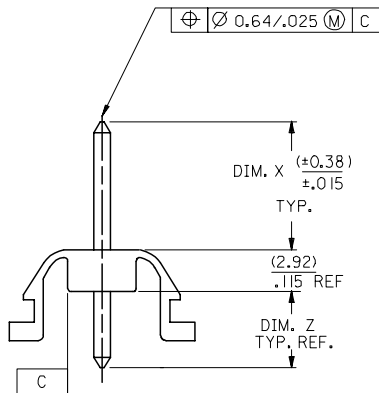
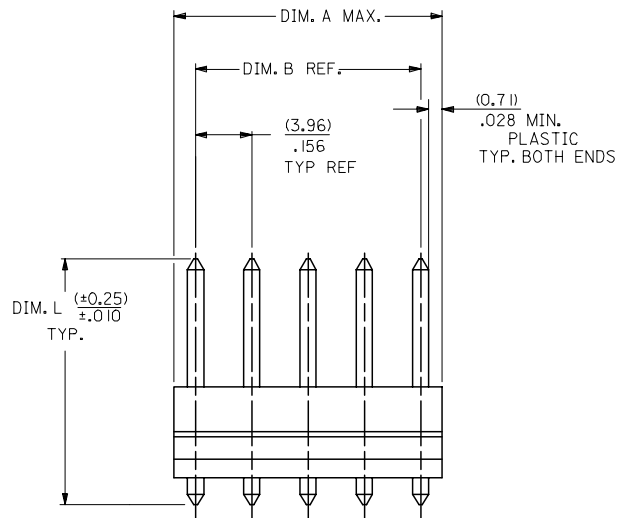


	13	12	11	10	9	8	7	6	5	4	3	2	1
	NO. OF CKTS.	DIM. A REF.	DIM. B MAX.	DIM. C									
J	2	(7.37) .290	(3.96) .156	(7.67) .302									
	3	(11.33) .446	(7.92) .312	(11.63) .458									
I	4	(15.29) .602	(11.89) .468	(15.60) .614									
	5	(19.25) .758	(15.85) .624	(19.56) .770									
	6	(23.22) .914	(19.81) .780	(23.52) .926									
H	7	(27.18) 1.070	(23.77) .936	(27.48) 1.080									
	8	(31.14) 1.226	(27.74) 1.092	(31.45) 1.238									
	9	(35.10) 1.382	(31.70) 1.248	(35.41) 1.394									
	10	(39.07) 1.538	(35.66) 1.404	(39.37) 1.550									
G	11	(43.03) 1.694	(39.62) 1.560	(43.33) 1.706									
	12	(46.99) 1.850	(43.59) 1.716	(47.29) 1.862									
	13	(50.95) 2.006	(47.55) 1.872	(51.26) 2.018									
F	14	(54.91) 2.162	(51.51) 2.028	(55.22) 2.174									
	15	(58.88) 2.318	(55.47) 2.184	(59.18) 2.330									
	16	(62.84) 2.474	(59.44) 2.340	(63.14) 2.486									
E	17	(66.80) 2.630	(63.40) 2.496	(67.11) 2.642									
	18	(70.76) 2.786	(67.36) 2.652	(71.07) 2.798									
	19	(74.65) 2.939	(71.32) 2.808	(74.96) 2.951									
D	20	(78.61) 3.095	(75.29) 2.964	(78.92) 3.107									



PANEL OPENNING
(1.57±.03) / .062±.001 THK.

▽ PARTS MUST SNAP INTO ABOVE PCB



A-2220-N * * *
NO. OF CKTS. * * *
PACKAGING
BLANK = PER PK-2220-002
A = PER PK-44646-005

VERSION _____
LETTER CHANGES WHEN _____
PIN NO. OR PRESS _____
DIM. CHANGES _____

PLATING CODE
SEE NOTE 2

NOTES:

- MATERIAL: UNFILLED NYLON 6/6, UL94V-2, MOLDED NATURAL.
- FINISH: SEE LEGEND
 - (102) - OVERALL TIN: 0.00508/0.00200 MIN.
OVERALL COPPER UNDERPLATE: 0.00254/0.00100 MIN.
 - (122) - OVERALL TIN: 0.00381/0.00150 MIN.
OVERALL NICKEL UNDERPLATE: 0.00076/0.00030 MIN.
 - (501) - OVERALL GOLD: 0.00051/0.00020 MIN.
OVERALL NICKEL UNDERPLATE: 0.00076/0.00030 MIN.
 - (503) - OVERALL GOLD: 0.00076/0.00030 MIN.
OVERALL NICKEL UNDERPLATE: 0.00127/0.00050 MIN.
- PARTS CONFORM TO PRODUCT SPECIFICATION PS-08-50.
- PACKAGING INFORMATION: SEE LEGEND.
- PIN PUSHOUT FORCE: PRIOR TO SOLDERING, A 3 POUND MINIMUM FORCE (IN EITHER DIRECTION) SHALL BE REQUIRED TO PUSH THE PIN OUT OF THE HEADER.

6	RI
5	RI
4	RI
3	RI
2	RI
1	RI
SH.	REV.

ADD P/N 50-29-1770 FCC NO: UCP2006-1782 DRAWN: ADERR 2006/05/24 CHKD: LSJHMT 2006/06/06 APPR: FSM TH 2006/06/06 REV: R1	QUALITY SYMBOLS ▽=0 ▽=0 ▽=1	GENERAL TOLERANCES (UNLESS SPECIFIED) <table border="1"> <tr><th>mm</th><th>INCH</th></tr> <tr><td>4 PLACES ± ---</td><td>± ---</td></tr> <tr><td>3 PLACES ± ---</td><td>± ---</td></tr> <tr><td>2 PLACES ± ---</td><td>± ---</td></tr> <tr><td>1 PLACE ± ---</td><td>± ---</td></tr> </table>	mm	INCH	4 PLACES ± ---	± ---	3 PLACES ± ---	± ---	2 PLACES ± ---	± ---	1 PLACE ± ---	± ---	DIMENSION STYLE MM/IN	SCALE ---	DESIGN UNITS INCH	THIRD ANGLE PROJECTION
		mm	INCH													
4 PLACES ± ---	± ---															
3 PLACES ± ---	± ---															
2 PLACES ± ---	± ---															
1 PLACE ± ---	± ---															
DRAFT WHERE APPLICABLE MUST REMAIN WITHIN DIMENSIONS	DRAWN BY KSS	DATE 1984/10/30	CHECKED BY DMS	DATE 1984/10/30	APPROVED BY KJA	DATE 1984/10/30										
MATERIAL NO.		SEE CHART		DOCUMENT NO. SDA-2220		SHEET NO. 1 OF 6										
THIS DRAWING CONTAINS INFORMATION THAT IS PROPRIETARY TO MOLEX INCORPORATED AND SHOULD NOT BE USED WITHOUT WRITTEN PERMISSION																

	13	12	11	10	9	8	7	6	5	4	3	2	1			
J	ENG. NO.	PIN NO.	DIM. L	DIM. X	DIM. Z	DIM. Y	DIM. W	DIM. T	ENG. NO.	PIN NO.	DIM. L	DIM. X	DIM. Z	DIM. Y	DIM. W	DIM. T
	A-2220-NA102	2161-5(102)	(34.93) 1.375	(15.88) .625	(16.13) .635				A-2220-NJ102	2161-7(102)	(39.67) 1.562	(31.75) 1.250	(5.00) .197			
	A-2220-NA123	2161-5(123)	(34.93) 1.375	(15.88) .625	(16.13) .635				A-2220-NK102	2161-24(102)	(20.32) .800	(10.16) .400	(7.24) .285			
I	A-2220-NA505	VOIDED							A-2220-NK501	2161-24(501)	(20.32) .800	(10.16) .400	(7.24) .285			
	A-2220-NA509	VOIDED							A-2220-NL102	2161-16(102)	(25.40) 1.000	(11.43) .450	(11.05) .435			
	A-2220-NA501	2161-5(501)	(34.93) 1.375	(15.88) .625	(16.13) .635				A-2220-NM102	2161-26(102)	(22.23) .875	(9.65) .380	(9.65) .380			
H	A-2220-NAA501	2161-16(501)	(25.40) 1.000	(16.89) .665	(5.59) .220				A-2220-NP102	VOIDED						
	A-2220-NAB501	2161-13(501)	(42.42) 1.670	(16.89) .665	(22.61) .890				A-2220-NS501	VOIDED						
	A-2220-NAE102	2161-38(102)	(38.10) 1.500	(19.05) .750	(16.13) .635				A-2220-NV102	2161-7(102)	(39.67) 1.562	(22.61) .890	(14.15) .557			
	A-2220-NAF102	2161-21(102)	(28.58) 1.125	(11.43) .450	(14.22) .560				A-2220-NW102	VOIDED						
G	A-2220-NAJ102	2161-5(102)	(34.93) 1.375	(8.20) .323	(23.80) .937				A-2220-NY102	2161-19(102)	(26.21) 1.032	(10.01) .394	(13.28) .523			
	A-2220-NAL102	2161-5(102)	(34.93) 1.375	(12.70) .500	(19.30) .760				A-2220-NZ501	VOIDED						
	A-2220-NAM102	2161-11(102)	(19.05) .750	(14.73) .580	(1.40) .055				A-2220-NAR102	2161-20(102)	(46.02) 1.812	(20.50) .807	(22.61) .890			
F	A-2220-NAN102	2161-18(102)	(33.32) 1.312	(19.05) .750	(11.35) .447				A-2220-NAR501	2161-20(501)	(46.02) 1.812	(20.50) .807	(22.61) .890	SEE SHEET 6		
	A-2220-NAP102	2161-52(102)	(27.00) 1.063	(12.70) .500	(11.38) .448				A-2220-NAS102	VOIDED						
	A-2220-NB102	2161-11(102)	(44.45) 1.750	(18.24) .718	(23.29) .917				A-2220-NAT102	VOIDED						
E	A-2220-NB501	2161-11(501)	(44.45) 1.750	(18.24) .718	(23.29) .917				A-2220-NAV122	2161-23(122)	(31.24) 1.230	(27.07) 1.066	(1.24) .049			
	A-2220-NB505	VOIDED							A-2220-NAW122	VOIDED						
	A-2220-NC102	2161-7(102)	(39.67) 1.562	(15.88) .625	(20.88) .822				A-2220-NAV503	2161-23(503)	(31.24) 1.230	(27.07) 1.066	(1.24) .049			
D	A-2220-NC501	2161-7(501)	(39.67) 1.562	(15.88) .625	(20.88) .822				A-2220-NAW503	VOIDED						
	A-2220-ND102	VOIDED							A-2220-NAY102	2161-5(102)	(34.93) 1.375	(13.72) .540	(18.29) .720			
	A-2220-ND501	VOIDED							A-2220-NA102A	2161-5(102)	(34.93) 1.375	(15.88) .625	(16.13) .635			
C	A-2220-NF102	2161-11(102)	(44.45) 1.750	(38.10) 1.500	(3.43) .135											
	A-2220-NH102	2161-20(102)	(46.02) 1.812	(39.67) 1.562	(3.43) .135											
	A-2220-NH501	2161-20(501)	(46.02) 1.812	(39.67) 1.562	(3.43) .135											

ADD A-2220-NA102A EC NO: UCP2006-1782 DRAWN: ADERR 2006/05/24 CHKD: LSH/MT 2006/06/06 APPR: FSM/TH 2006/06/06 R1 REV	QUALITY SYMBOLS	GENERAL TOLERANCES (UNLESS SPECIFIED)	DIMENSION STYLE	SCALE	DESIGN UNITS	THIRD ANGLE PROJECTION
	$\nabla=0$ $\nabla=0$	mm INCH	MM/IN	---	INCH	
		4 PLACES ± --- ± ---	DRAWN BY DATE	TITLE		
		3 PLACES ± --- ± ---	KSS 1984/10/30	WAFER ASSEMBLY CHASSIS MOUNT, KK 2220 SERIES DWG.		
	2 PLACES ± --- ± ---	CHECKED BY DATE	MOLEX INCORPORATED			
	1 PLACE ± --- ± ---	DMS 1984/10/30	DOCUMENT NO.			
	ANGULAR ±1/2°	APPROVED BY DATE	SHEET NO.			
		KJA 1984/10/30	2 OF 6			
		MATERIAL NO.	SDA-2220			
		SIZE	THIS DRAWING CONTAINS INFORMATION THAT IS PROPRIETARY TO MOLEX INCORPORATED AND SHOULD NOT BE USED WITHOUT WRITTEN PERMISSION			
		C				

	13	12	11	10	9	8	7	6	5	4	3	2	1	
	A-2220-NAN102		A-2220-NAP102		A-2220-NB102		A-2220-NB501		A-2220-NB505 VOID		A-2220-NC102			
J	PART NO.	ENG. NO.	PART NO.	ENG. NO.	PART NO.	ENG. NO.	PART NO.	ENG. NO.	PART NO.	ENG. NO.	PART NO.	ENG. NO.		J
		A-2220-2AN102		A-2220-2AP102	09-57-1026	A-2220-2B102	09-78-1022	A-2220-2B501					09-57-1027	A-2220-2C102
		A-2220-3AN102	09-57-4033	A-2220-3AP102	09-57-1036	A-2220-3B102	09-78-1032	A-2220-3B501					09-57-1037	A-2220-3C102
		A-2220-4AN102		A-2220-4AP102	09-57-1046	A-2220-4B102	09-78-1042	A-2220-4B501					09-57-1047	A-2220-4C102
	09-57-4056	A-2220-5AN102		A-2220-5AP102	09-57-1056	A-2220-5B102	09-78-1052	A-2220-5B501					09-57-1057	A-2220-5C102
	09-57-4066	A-2220-6AN102		A-2220-6AP102	09-57-1066	A-2220-6B102	09-78-1062	A-2220-6B501					09-57-1067	A-2220-6C102
I		A-2220-7AN102		A-2220-7AP102	09-57-1076	A-2220-7B102	09-78-1072	A-2220-7B501					09-57-1077	A-2220-7C102
	09-57-4086	A-2220-8AN102		A-2220-8AP102	09-57-1086	A-2220-8B102	09-78-1082	A-2220-8B501					09-57-1087	A-2220-8C102
		A-2220-9AN102		A-2220-9AP102	09-57-1096	A-2220-9B102	09-78-1092	A-2220-9B501					09-57-1097	A-2220-9C102
		A-2220-10AN102	09-57-4103	A-2220-10AP102	09-57-1106	A-2220-10B102	09-78-1102	A-2220-10B501					09-57-1107	A-2220-10C102
		A-2220-11AN102		A-2220-11AP102	09-57-1116	A-2220-11B102	09-78-1112	A-2220-11B501					09-57-1117	A-2220-11C102
		A-2220-12AN102		A-2220-12AP102	09-57-1126	A-2220-12B102	09-78-1122	A-2220-12B501					09-57-1127	A-2220-12C102
		A-2220-13AN102		A-2220-13AP102	09-57-1136	A-2220-13B102	09-78-1132	A-2220-13B501					09-57-1137	A-2220-13C102
H		A-2220-14AN102		A-2220-14AP102	09-57-1146	A-2220-14B102	09-78-1142	A-2220-14B501					09-57-1147	A-2220-14C102
		A-2220-15AN102		A-2220-15AP102	09-57-1156	A-2220-15B102	09-78-1152	A-2220-15B501					09-57-1157	A-2220-15C102
		A-2220-16AN102		A-2220-16AP102	09-57-1166	A-2220-16B102	09-78-1162	A-2220-16B501					09-57-1167	A-2220-16C102
		A-2220-17AN102		A-2220-17AP102	09-57-1176	A-2220-17B102	09-78-1172	A-2220-17B501					09-57-1177	A-2220-17C102
		A-2220-18AN102		A-2220-18AP102	09-57-1186	A-2220-18B102	09-78-1182	A-2220-18B501					09-57-1187	A-2220-18C102
													09-57-1197	A-2220-19C102
G														

	A-2220-NC501		A-2220-ND102 VOID		A-2220-ND501 VOID		A-2220-NF102		A-2220-NH102		A-2220-NH501		
F	PART NO.	ENG. NO.	PART NO.	ENG. NO.	PART NO.	ENG. NO.	PART NO.	ENG. NO.	PART NO.	ENG. NO.	PART NO.	ENG. NO.	F
	09-78-1023	A-2220-2C501						A-2220-2F102	09-57-1029	A-2220-2H102			A-2220-2H501
	09-78-1033	A-2220-3C501						A-2220-3F102	09-57-1039	A-2220-3H102			A-2220-3H501
	09-78-1043	A-2220-4C501					09-57-1044	A-2220-4F102	09-57-1049	A-2220-4H102			A-2220-4H501
	09-78-1053	A-2220-5C501						A-2220-5F102	09-57-1059	A-2220-5H102			A-2220-5H501
E	09-78-1063	A-2220-6C501						A-2220-6F102	09-57-1069	A-2220-6H102			A-2220-6H501
	09-78-1073	A-2220-7C501						A-2220-7F102	09-57-1079	A-2220-7H102			A-2220-7H501
	09-78-1083	A-2220-8C501						A-2220-8F102	09-57-1089	A-2220-8H102			A-2220-8H501
	09-78-1093	A-2220-9C501						A-2220-9F102	09-57-1099	A-2220-9H102			A-2220-9H501
	09-78-1103	A-2220-10C501						A-2220-10F102	09-57-1109	A-2220-10H102			A-2220-10H501
	09-78-1113	A-2220-11C501						A-2220-11F102	09-57-1119	A-2220-11H102			A-2220-11H501
D	09-78-1123	A-2220-12C501						A-2220-12F102	09-57-1129	A-2220-12H102			A-2220-12H501
	09-78-1133	A-2220-13C501						A-2220-13F102	09-57-1139	A-2220-13H102			A-2220-13H501
	09-78-1143	A-2220-14C501						A-2220-14F102	09-57-1149	A-2220-14H102			A-2220-14H501
	09-78-1153	A-2220-15C501						A-2220-15F102	09-57-1159	A-2220-15H102			A-2220-15H501
	09-78-1163	A-2220-16C501						A-2220-16F102	09-57-1169	A-2220-16H102			A-2220-16H501
	09-78-1173	A-2220-17C501						A-2220-17F102	09-57-1179	A-2220-17H102			A-2220-17H501
	09-78-1183	A-2220-18C501						A-2220-18F102	09-57-1189	A-2220-18H102	09-78-1186		A-2220-18H501
C		A-2220-19C501											

B	UPDATE TITLE BLOCK FC NO: UCP2006-1782 DRAWN/ADDER 2006/05/24 CHKD:LSJHMI DT 2006/06/06 APPR:FSM TH 2006/06/06 REVISIONS R1	QUALITY SYMBOLS 	GENERAL TOLERANCES (UNLESS SPECIFIED) mm INCH 4 PLACES ± --- ± --- 3 PLACES ± --- ± --- 2 PLACES ± --- ± --- 1 PLACE ± --- ± --- ANGULAR ±1/2°		DIMENSION STYLE MM/IN DRAWN BY DATE KSS 1984/10/30 CHECKED BY DATE DMS 1984/10/30 APPROVED BY DATE KJA 1984/10/30		SCALE ---	DESIGN UNITS INCH	THIRD ANGLE PROJECTION	WAFER ASSEMBLY CHASSIS MOUNT, KK 2220 SERIES DWG.		MOLEX INCORPORATED MATERIAL NO. DOCUMENT NO. SEE CHART SDA-2220	SHEET NO. 4 OF 6
			DRAFT WHERE APPLICABLE MUST REMAIN WITHIN DIMENSIONS		THIS DRAWING CONTAINS INFORMATION THAT IS PROPRIETARY TO MOLEX INCORPORATED AND SHOULD NOT BE USED WITHOUT WRITTEN PERMISSION								