

DC/DC Converters



3355 Vincent Road, Pleasant Hill, CA 94523-4389 Telephone: (415) 932-3911 Telex: 269 888 Telefax: (415) 932-6017



FEATURES OF CALEX DC/DC CONVERTERS

- 5 Year Warranty
- 6 sided shielded cases
- 100% burn-in & testing
- Input/output isolation
- Stock Delivery
- Very low input/output noise
- Low profile cases
- PI type input filters
- Dual tracking outputs
- Short circuit protection

The CALEX lines of 1.8, 3, 4.5, 6, and 12 Watt DC/DC Converters are designed for applications where analog voltages are needed in digital systems, when negative voltages are required, for field portable and battery operated equipment, and where isolated positive or negative voltage sources are necessary in instrumentation systems. These units cover input voltages from 5 to 48 Volts, are low noise, and have efficiencies up to 80%. CALEX can also design custom OEM DC/DC units to fit your special needs. Contact the factory for details.

5 VOLTS INPUT	OUTPUT VOLTAGE DC	OUTPUT CURRENT mA	CASE SIZE	MODEL NUMBER
	15	200	D	5S15.200
	15	350	D	5S15.350
	±12	±85	E	5D12.075
	±12	±125	D	5D12.125
	±12	±185	D	5D12.185
	±15	±60	E	5D15.060
	±15	±100	D	5D15.100
	±15	±150	D	5D15.150

28 VOLTS INPUT	OUTPUT VOLTAGE DC	OUTPUT CURRENT mA	CASE SIZE	MODEL NUMBER
	15	200	D	28S15.200
	15	400	D	28S15.400
	15	800	B1	28S15.800
	±12	±125	D	28D12.125
	±12	±250	D	28D12.250
	±12	±500	B1	28D12.500
	±15	±100	D	28D15.100
	±15	±200	D	28D15.200
	±15	±400	B1	28D15.400

12 VOLTS INPUT	OUTPUT VOLTAGE DC	OUTPUT CURRENT mA	CASE SIZE	MODEL NUMBER
	15	200	D	12S15.200
	15	400	D	12S15.400
	15	800	B1	12S15.800
	±12	±125	D	12D12.125
	±12	±250	D	12D12.250
	±12	±500	B1	12D12.500
	±15	±100	D	12D15.100
	±15	±200	D	12D15.200
	±15	±400	B1	12D15.400

48 VOLTS INPUT	OUTPUT VOLTAGE DC	OUTPUT CURRENT mA	CASE SIZE	MODEL NUMBER
	15	200	D	48S15.200
	15	400	D	48S15.400
	15	800	B1	48S15.800
	±12	±125	D	48D12.125
	±12	±250	D	48D12.250
	±12	±500	B1	48D12.500
	±15	±100	D	48D15.100
	±15	±200	D	48D15.200
	±15	±400	B1	48D15.400

24 VOLTS INPUT	OUTPUT VOLTAGE DC	OUTPUT CURRENT mA	CASE SIZE	MODEL NUMBER
	15	200	D	24S15.200
	15	400	D	24S15.400
	15	800	B1	24S15.800
	±12	±125	D	24D12.125
	±12	±250	D	24D12.250
	±12	±500	B1	24D12.500
	±15	±100	D	24D15.100
	±15	±200	D	24D15.200
	±15	±400	B1	24D15.400

CASE SIZES

- D-2" x 2" x 0.375"
(50.8mm x 50.8mm x 9.525mm)
- E-1" x 2" x 0.375"
(25.4mm x 50.8mm x 9.525mm)
- B1-2.5" x 3.5" x 0.875"
(63.5mm x 88.9mm x 22.225mm)

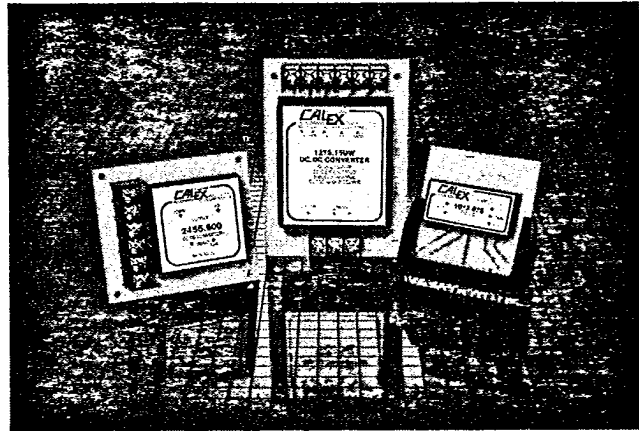
Other voltages and power levels available. For a complete catalog on CALEX Power Supplies and DC/DC converters with complete specifications, application notes and performance curves contact the factory.



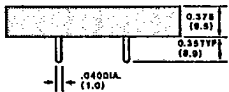
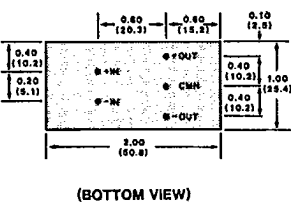
3355 Vincent Road, Pleasant Hill, CA 94523-4389 Telephone: (415) 932-3911 Telex: 269 888 Telefax: (415) 932-6017

COMMON SPECIFICATIONS

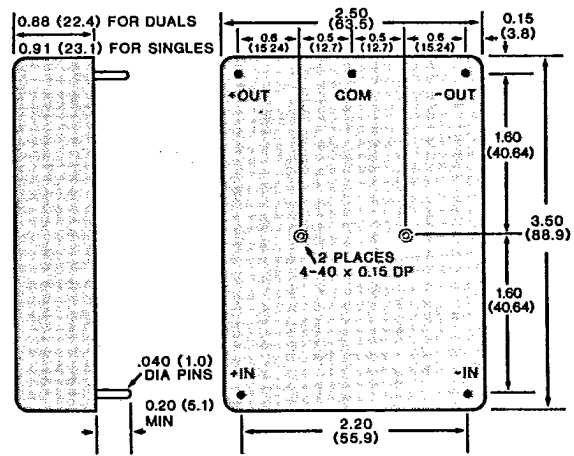
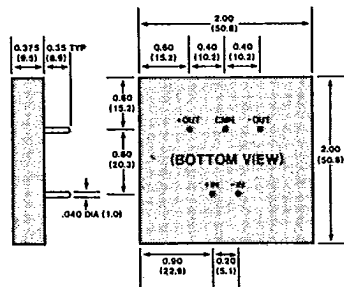
- Output noise:** 10 mV p-p
- Operating temp.:** -25°C to +80°C
- Load regulation:** 0.02%
- Storage temp.:** -55°C to +85°C
- Line regulation:** 0.02%
- Weight:** 1.75 oz (50 grams)
- Stability:** 75ppm/°C
- Isolation:** 500 VDC
- 5 V output clamp:** 6.8 Volts



CASE SIZE E

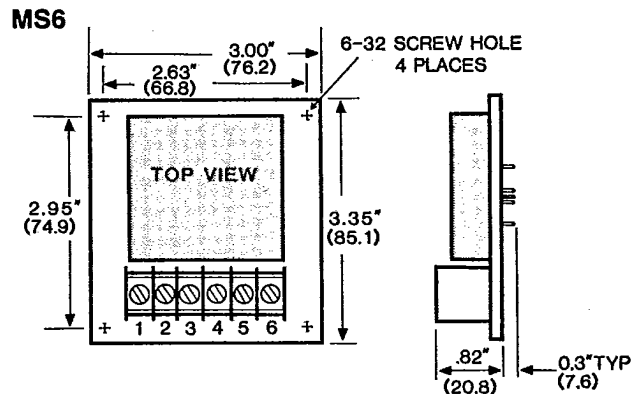
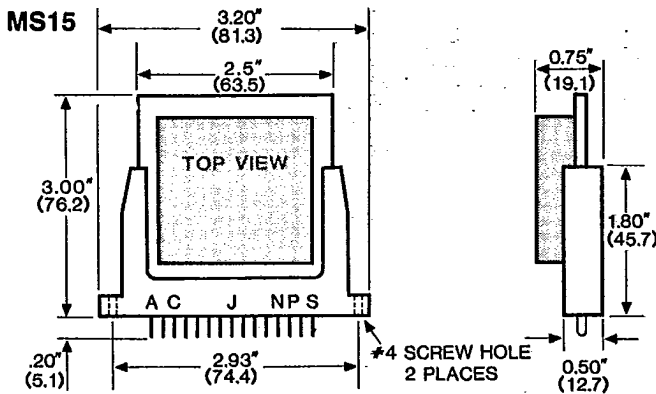


CASE SIZE D



The Model MS 15 and MS 16 Mounting Kits allow the CALEX 1" x 2" and 2" x 2" DC/DC Converters to be conveniently used in non-AC powered systems. They are ideal for chassis or rack mounting in field portable battery operated systems where other CALEX mounting kits are used.

Mounting Kits for Case B units are the same as those for Standard P.C. Mount units shown on page 75.



PIN	FUNCTION	
	SINGLE	DUAL
A	+ DC INPUT	+ DC INPUT
C	- DC INPUT	- DC INPUT
J	N/C	CMN.
N	KEY	KEY
P	+ OUTPUT	+ OUTPUT
S	CMN.	- OUTPUT

SCREW TERMINAL	FUNCTION	
	SINGLE	DUAL
1	+ OUTPUT	+ OUTPUT
2	N/C	CMN.
3	CMN.	- OUTPUT
4	N/C	N/C
5	+ DC INPUT	+ DC INPUT
6	- DC INPUT	- DC INPUT