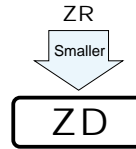


ALUMINUM ELECTROLYTIC CAPACITORS

ZD 3.0mmL Chip Type
series



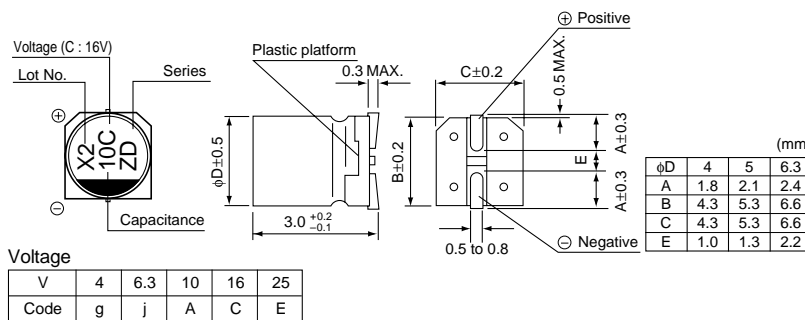
- Chip type with 3.0mmL height.
- Designed for surface mounting on high density PC board.
- Applicable to automatic mounting machine fed with carrier tape.
- Compliant to the RoHS directive (2002/95/EC).



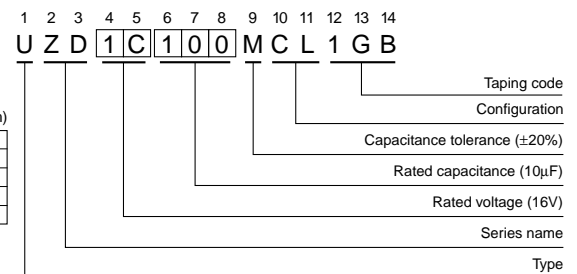
Specifications

Item	Performance Characteristics							
Category Temperature Range	-40 to +85°C							
Rated Voltage Range	4 to 25V							
Rated Capacitance Range	2.2 to 100μF							
Capacitance Tolerance	±20% at 120Hz, 20°C							
Leakage Current	After 2 minutes' application of rated voltage, leakage current is not more than 0.01 CV or 3 (μA) , whichever is greater.							
Tangent of loss angle (tan δ)	Rated voltage (V)	4	6.3	10	16	25	120Hz 20°C	
	tan δ (MAX.)	0.50	0.40	0.30	0.24	0.19		
Stability at Low Temperature	Rated voltage (V)	4	6.3	10	16	25	120Hz	
	Impedance ratio ZT / Z20 (MAX.)	Z-25°C / Z+20°C	7	4	3	2		2
		Z-40°C / Z+20°C	15	8	8	4		4
Endurance	The specifications listed at right shall be met when the capacitors are restored to 20°C after the rated voltage is applied for 1000 hours at 85°C.						Capacitance change	Within ±30% of the initial capacitance value
							tan δ	300% or less than the initial specified value
							Leakage current	Less than or equal to the initial specified value
Shelf Life	After storing the capacitors under no load at 85°C for 1000 hours and then performing voltage treatment based on JIS C 5101-4 clause 4.1 at 20°C, they shall meet the specified values for the endurance characteristics listed above.							
Resistance to soldering heat	The capacitors are kept on a hot plate for 30 seconds, which is maintained at 250°C. The capacitors shall meet the characteristic requirements listed at right when they are removed from the plate and restored to 20°C.						Capacitance change	Within ±10% of the initial capacitance value
							tan δ	Less than or equal to the initial specified value
							Leakage current	Less than or equal to the initial specified value
Marking	Black print on the case top.							

Chip Type



Type numbering system (Example : 16V 10μF)



Dimensions

Cap. (μF)	Code	4		6.3		10		16		25	
		0G		0J		1A		1C		1E	
2.2	2R2									4	7
3.3	3R3									4	11
4.7	4R7									4	16
5.6	5R6									5	18
6.8	6R8									5	20
10	100							5	23	6.3	27
22	220	4	20	5	28	5	33	6.3	37		
33	330	5	28	5	37	6.3	41				
47	470	5	33	6.3	45						
100	101	6.3	56	6.3	70					Case size φ D (mm)	Rated ripple

Rated ripple current (mA Arms) at 85°C 120Hz

Frequency coefficient of rated ripple current

Frequency	50 Hz	120 Hz	300 Hz	1 kHz	10 kHz or more
Coefficient	0.70	1.00	1.17	1.36	1.50

- Taping specifications are given in page 23.
- Recommended land size soldering by reflow are given in page 18,19.
- Please refer to page 3 for the minimum order quantity.