

**PLEASE CHECK WWW.MOLEX.COM FOR LATEST PART INFORMATION**

**Part Number:** [0681451625](#)  
**Status:** **Active**  
**Description:** 1.02mm (.040") Pitch Wire-to-Board Header, 1.02mm (.040") Tab Type, Vertical, 16 Circuits, Black

**Documents:**

[3D Model](#) [Product Specification PS-68145-005 \(PDF\)](#)  
[Drawing \(PDF\)](#) [RoHS Certificate of Compliance \(PDF\)](#)  
[Product Specification PS-68145-002 \(PDF\)](#)

**General**

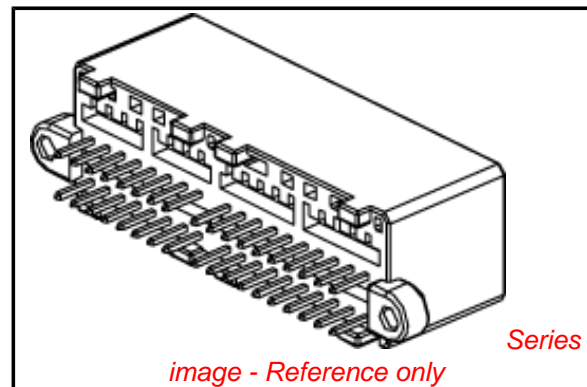
Product Family	PCB Headers
Series	<a href="#">68145</a>
Application	Wire-to-Board
Product Name	N/A

**Physical**

Breakaway	No
Circuits (Loaded)	16
Circuits (maximum)	16
Color - Resin	Gray
Durability (mating cycles max)	50
First Mate / Last Break	No
Glow-Wire Compliant	No
Guide to Mating Part	No
Keying to Mating Part	None
Lock to Mating Part	Yes
Material - Metal	Brass
Material - Plating Mating	Tin
Material - Plating Termination	Tin
Material - Resin	Polyester
Number of Rows	2
Orientation	Right Angle
PC Tail Length (in)	0.157 In
PC Tail Length (mm)	4.00 mm
PCB Locator	Yes
PCB Retention	Yes
PCB Thickness Recommended (in)	0.062 In
PCB Thickness Recommended (mm)	1.60 mm
Packaging Type	Tray
Pitch - Mating Interface (in)	0.098 In
Pitch - Mating Interface (mm)	2.50 mm
Plating min: Mating (µin)	32
Plating min: Mating (µm)	0.8
Plating min: Termination (µin)	32
Plating min: Termination (µm)	0.8
Shrouded	Partial
Stackable	No
Surface Mount Compatible (SMC)	No
Temperature Range - Operating	-30°C to +85°C
Termination Interface: Style	Through Hole

**Electrical**

Current - Maximum per Contact	5A
Voltage - Maximum	13V



**EU RoHS**

**ELV and RoHS Compliant**  
**REACH SVHC**  
 Not Reviewed  
**Halogen-Free Status**

**China RoHS**



**Need more information on product environmental compliance?**

Email [productcompliance@molex.com](mailto:productcompliance@molex.com)  
 For a multiple part number RoHS Certificate of Compliance, [click here](#)

Please visit the [Contact Us](#) section for any non-product compliance questions.

**Search Parts in this Series**

[68145Series](#)

**Mates With**

[35563 Crimp Housing](#)

**Material Info**

**Reference - Drawing Numbers**

Product Specification

Sales Drawing

PS-68145-002, PS-68145-005

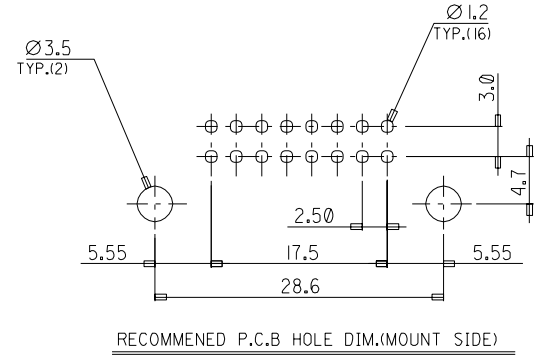
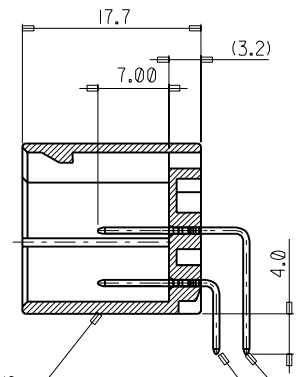
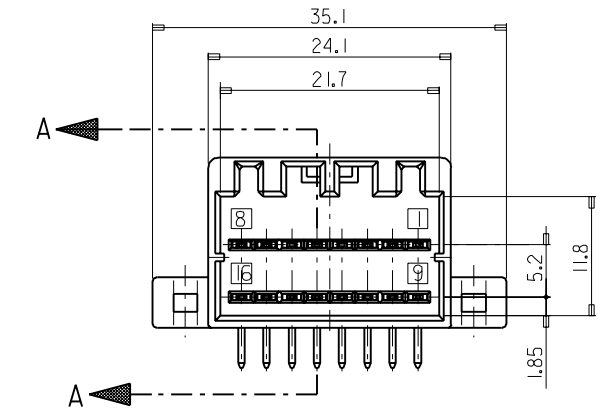
SD-68145-005

This document was generated on 04/07/2010

**PLEASE CHECK [WWW.MOLEX.COM](http://WWW.MOLEX.COM) FOR LATEST PART INFORMATION**

DO NOT SCALE DRAWING DIMENSION IN METRIC

PROJECT NO. SIMILAR ITEM DWG. NO. SD-68145-005

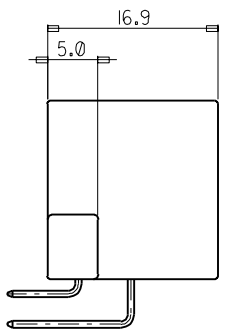
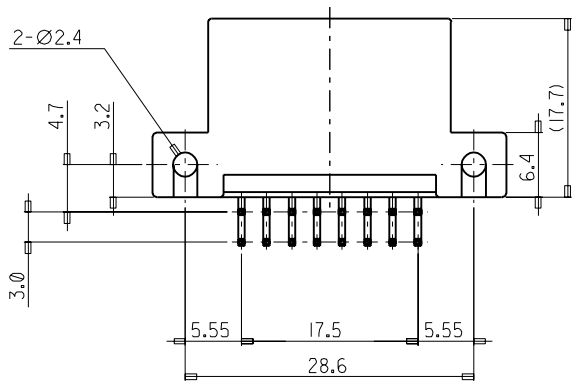


HEADER HOUSING  
(68145-1685/1686)

SECTION A-A

HEADER PIN(L)  
(35483-9102)

HEADER PIN(S)  
(35483-9202)



NOTES

1. APPLICABLE FEMALE HOUSING : 35563-1615

2. MATERIAL: HOUSING-POLYESTER (PBT), G/F 15%  
TERMINAL-BRASS, FINISH-TIN PLATING

NO.	PART NO.	PART NAME	MATERIAL	COLOR	REMARK
1	68145-1625	.040 W/B 16P HEADER ASS'Y	PBT, G/F 15%	GRAY	
2	68145-1626	.040 W/B 16P HEADER ASS'Y	PBT, G/F 15%	WHITE	

NEW RELEASED EC NO. KOR2002-0072 DRWN: B.C.YOON '02.2.6 CHK: Y.SIK.KIM APPR: C.W.LEE	QUALITY SYMBOLS MAJOR =0 CRITICAL C=0	GENERAL TOLERANCES: (UNLESS SPECIFIED)		SCALE 2:1	DESIGN UNITS <input checked="" type="checkbox"/> mm <input type="checkbox"/> INCH	THIRD ANGLE PROJECTION	DIMENSIONS: <input type="checkbox"/> mm <input type="checkbox"/> INCH <input checked="" type="checkbox"/> mm ONLY	SHT	REV	
		4 PLACES	±0.	±.	DRAWN BY & DATE Y.SIK.KIM 99.04.29	TITLE: 040 W/B 16P HEADER ASS'Y(R/A)				
A	DESCRIPTION	3 PLACES	±0.	±.	CHECKED BY & DATE B.K.CHOI 99.04.29	MOLEX MOLEX INCORPORATED				
		2 PLACES	±0.20	±.	APPROVED BY & DATE C.W.LEE 99.04.30					
	REV	1 PLACE	±0.30	±.	CAD FILENAME s6814525.dgn	MATERIAL NO. 681451625	DRAWING NO. SD-68145-005	SHEET NO. 1 OF 1		
DRAFT WHERE APPLICABLE MUST REMAIN WITHIN DIMENSIONS					THIS DRAWING CONTAINS INFORMATION THAT IS PROPRIETARY TO MOLEX INCORPORATED AND SHOULD NOT BE USED WITHOUT WRITTEN PERMISSION.					SIZE B