

.050" (1,27mm) CABLE PLUG FFMD SERIES

Mates with:
FLE, SFMC

SPECIFICATIONS

For complete specifications see www.samtec.com?FFMD

Insulator Material:
Black Glass Filled Polyester



Terminal:

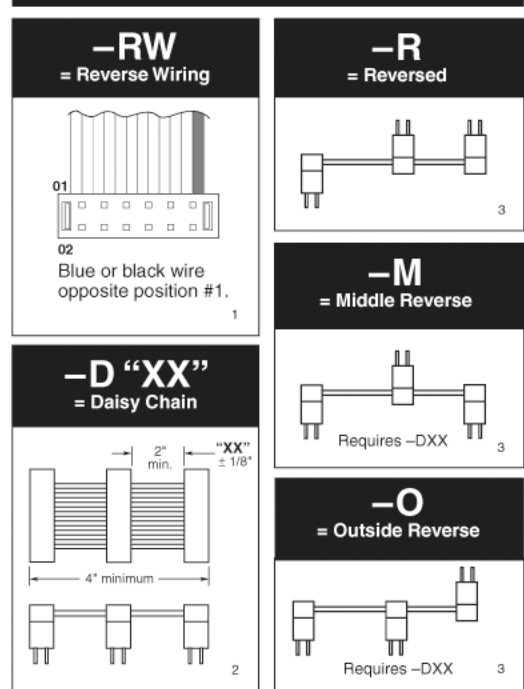
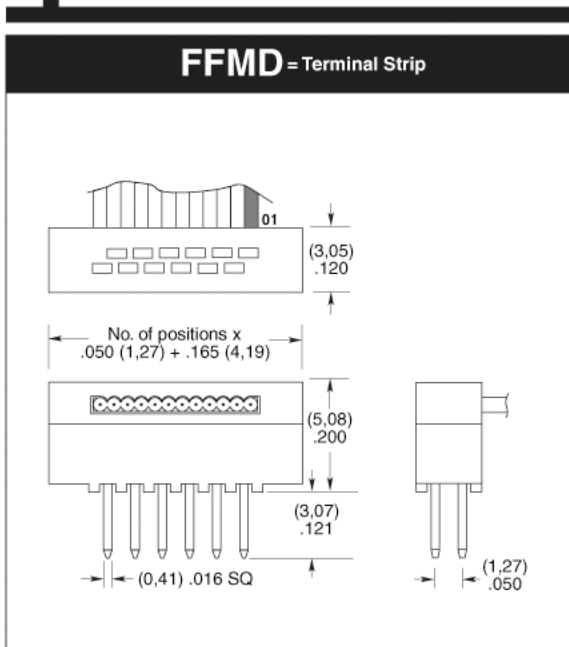
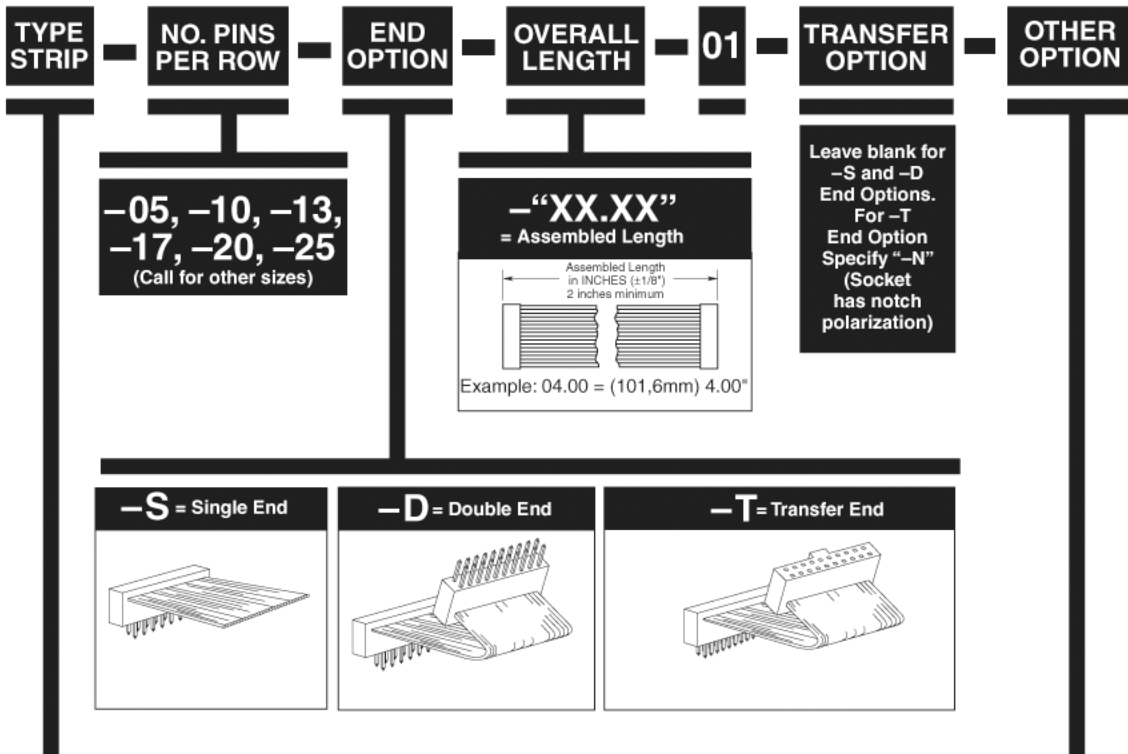
BeCu
Plating:
Sn over 50µ (1,27µm) Ni

Wire:

30 AWG
Current Rating:

1A
Operating Temp Range:
-40°C to +105°C

RoHS Compliant:
Yes



Note: This Series is non-standard, non-returnable.

Due to technical progress, all designs, specifications and components are subject to change without notice.

WWW.SAMTEC.COM