

PLEASE CHECK WWW.MOLEX.COM FOR LATEST PART INFORMATION

Part Number: [0554871519](#)
Status: **Active**
Description: 2.00mm (.079") Pitch Wire-to-Board Header, Vertical, Shrouded, High Wall Type, with Inner Positive Lock, Lead-free, 15 Circuits

Documents:

[3D Model](#) [Product Specification PS-51216-007 \(PDF\)](#)
[Drawing \(PDF\)](#) [RoHS Certificate of Compliance \(PDF\)](#)

General

| | |
|----------------|-----------------------|
| Product Family | PCB Headers |
| Series | 55487 |
| Application | Wire-to-Board |
| Product Name | N/A |

Physical

| | |
|--------------------------------|----------------|
| Breakaway | No |
| Circuits (Loaded) | 15 |
| Circuits (maximum) | 15 |
| Color - Resin | Natural |
| Durability (mating cycles max) | 30 |
| First Mate / Last Break | No |
| Glow-Wire Compliant | No |
| Guide to Mating Part | No |
| Keying to Mating Part | None |
| Lock to Mating Part | Yes |
| Mated Height (in) | 0.697 In |
| Mated Height (mm) | 17.70 mm |
| Material - Plating Mating | Tin |
| Material - Plating Termination | Tin |
| Material - Resin | Nylon |
| Number of Rows | 1 |
| Orientation | Vertical |
| PC Tail Length (in) | 0.130 In |
| PC Tail Length (mm) | 3.30 mm |
| PCB Locator | Yes |
| PCB Retention | Yes |
| PCB Thickness Recommended (in) | 0.062 In |
| PCB Thickness Recommended (mm) | 1.60 mm |
| Packaging Type | Tray |
| Pitch - Mating Interface (in) | 0.079 In |
| Pitch - Mating Interface (mm) | 2.00 mm |
| Polarized to Mating Part | Yes |
| Shrouded | Fully |
| Stackable | No |
| Surface Mount Compatible (SMC) | No |
| Temperature Range - Operating | -25°C to +85°C |
| Termination Interface: Style | Through Hole |

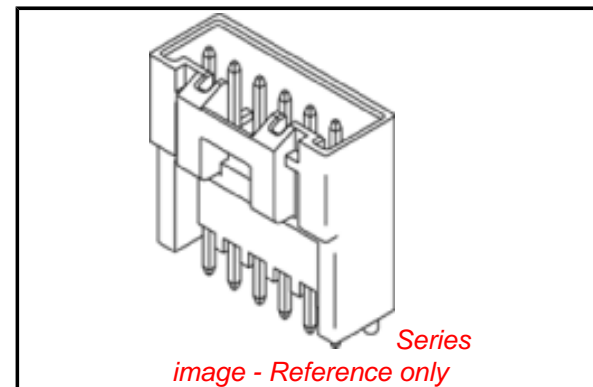
Electrical

| | |
|-------------------------------|------|
| Current - Maximum per Contact | 2.5A |
| Voltage - Maximum | 250V |

Material Info

Reference - Drawing Numbers

| | |
|-----------------------|-----------------------------|
| Product Specification | PS-51216-007, RPS-51216-010 |
|-----------------------|-----------------------------|



EU RoHS

ELV and RoHS Compliant
REACH SVHC
 Not Reviewed
Halogen-Free Status
 Not Reviewed

China RoHS



Need more information on product environmental compliance?

Email productcompliance@molex.com
 For a multiple part number RoHS Certificate of Compliance, [click here](#)

Please visit the [Contact Us](#) section for any non-product compliance questions.

Search Parts in this Series

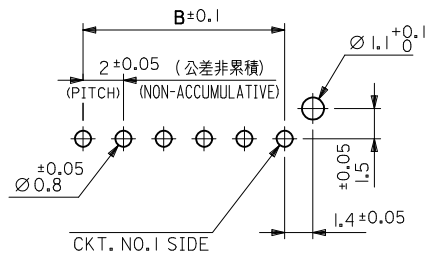
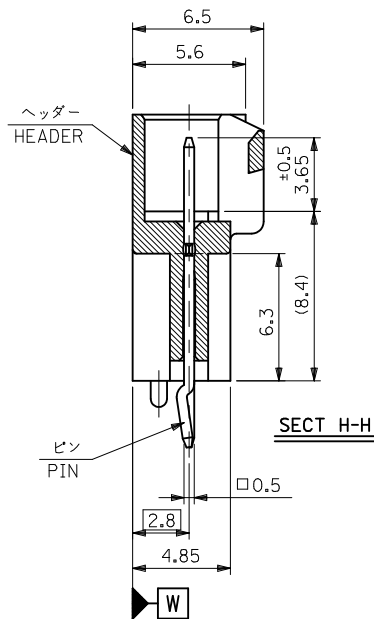
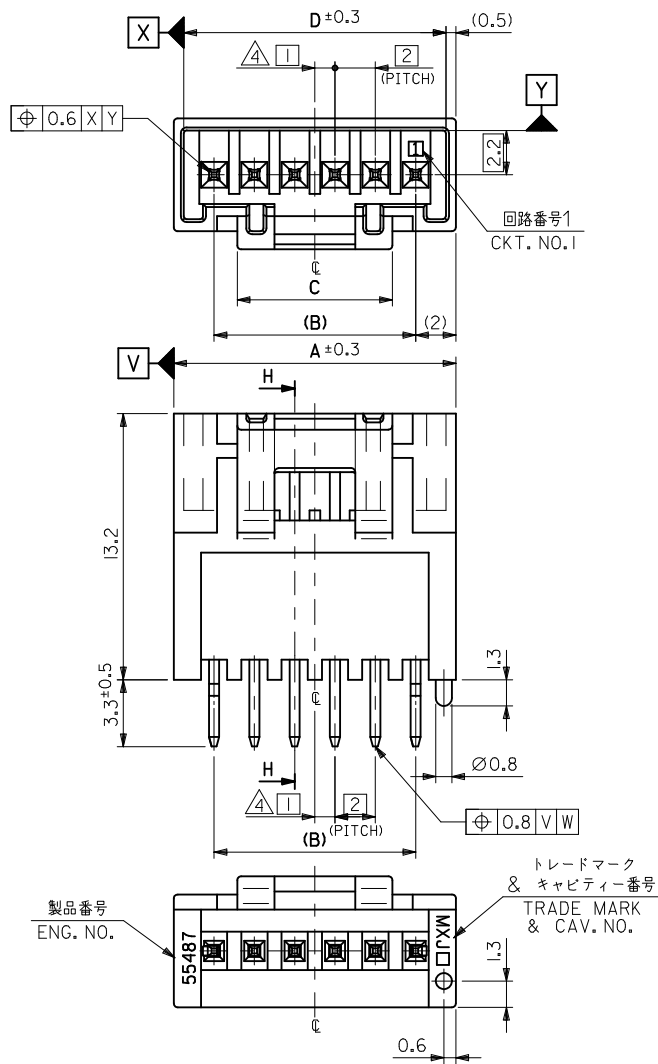
[55487Series](#)

Mates With

[51216](#) Wire-to-Board and Wire-to-Wire Receptacle Housing

This document was generated on 04/07/2010

PLEASE CHECK WWW.MOLEX.COM FOR LATEST PART INFORMATION



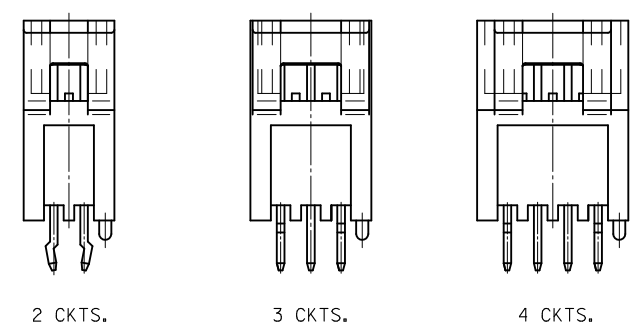
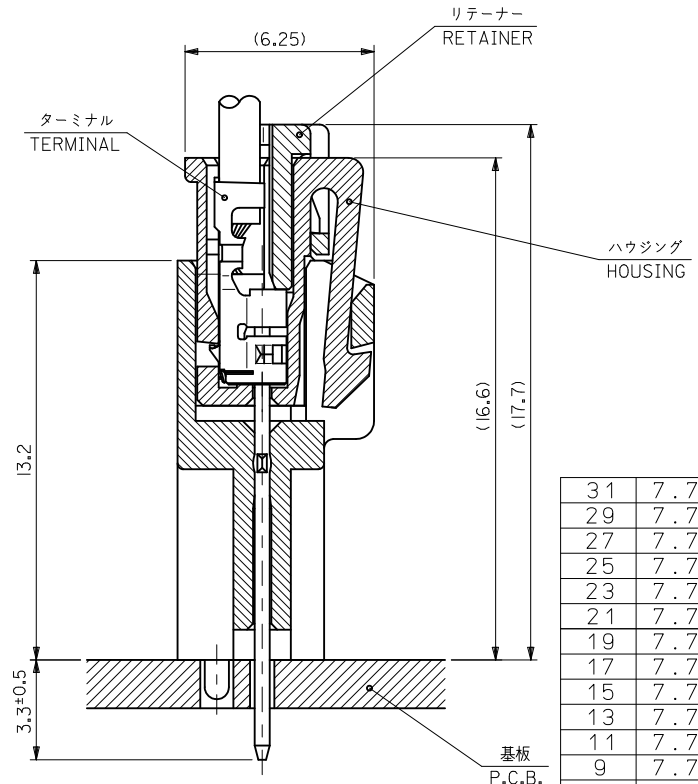
基板取付穴推奨寸法 (マウント面)
RECOMMENDED P.C.BOARD
HOLE DIMENSION
(MOUNTING SIDE)
(T=1.6)

注記
NOTE

1. 材料 MATERIAL
ピン : 黄銅, 銅下地錫メッキ
PIN : BRASS, Sn OVER Cu PLATED
ヘッダー : 66ナイロン (ガラス入り : 25%), UL94V-0
(色 : 自然色 又は 染色)
HEADER : NYLON66 (G.F. : 25%), UL94V-0
(COLOR : NATURAL OR DYED COLOR)
2. 嵌合相手 : 51216シリーズ
MATE WITH : 51216 SERIES
3. ソルダータールキックは、両端のピンのみとする。
KINK TO BE APPLIED FOR 2 PINS AT BOTH ENDS.
- △ 偶数極に適用。
APPLY EVEN CIRCUIT PRODUCTS.
5. 本製品は 55487-**10/-**12/-**13/**14/**16 の鉛フリー品である。
THIS PRODUCT IS LEAD FREE OF 55487-**10/-**12/-**13/**14/**16.
6. ELV及びRoHS適合品
ELV AND RoHS COMPLIANT

| | | | | | | |
|---|---------------------------------------|--|----------------------------------|--|--|------------------------|
| REVISED EC NO: J2010-2138 DRWN:YOSHIKAWA 2010/04/23 CHKD:KASAKAWA 2010/04/26 APPR:NUKITA 2010/04/28 | GENERAL TOLERANCES (UNLESS SPECIFIED) | | DIMENSION STYLE MM ONLY | SCALE 4:1 | DESIGN UNITS METRIC | THIRD ANGLE PROJECTION |
| | 10 UNDER | ±0.2 | DRAWN BY M. NABEI | DATE '05/05/20 | TITLE 2.0 MM W TO B CONN. HEADER ASS'Y (ST.) | |
| | 10 OVER 30 UNDER | ±0.25 | CHECKED BY K. TOJO | DATE '05/05/20 | | |
| | 30 OVER | ±0.3 | APPROVED BY N. UKITA | DATE '05/05/20 | | |
| | ANGULAR ±3 ° | DRAFT WHERE APPLICABLE MUST REMAIN WITHIN DIMENSIONS | MATERIAL NO. 55487-**19/-**2* | DOCUMENT NO. SD-55487-007 | MOLEX INCORPORATED | |
| | | | SIZE A3 | THIS DRAWING CONTAINS INFORMATION THAT IS PROPRIETARY TO MOLEX INCORPORATED AND SHOULD NOT BE USED WITHOUT WRITTEN PERMISSION | | |

10 9 8 7 6 5 4 3 2 1



極数レイアウト図
LAYOUT OF EACH CKTS.

嵌合断面図 (参考)
LAYOUT OF EACH CKTS.

| | | | | | | | | | |
|---------------------------------|-----|----|----|------------------------|-----------------------|-------------------------|----------------------|------------------------|-----------|
| 31 | 7.7 | 28 | 32 | 55487-1526 | | 55487-1523 | 55487-1522 | 55487-1519 | 15 |
| 29 | 7.7 | 26 | 30 | 55487-1426 | | 55487-1423 | 55487-1422 | 55487-1419 | 14 |
| 27 | 7.7 | 24 | 28 | | | | | 55487-1319 | 13 |
| 25 | 7.7 | 22 | 26 | 55487-1226 | | 55487-1223 | 55487-1222 | 55487-1219 | 12 |
| 23 | 7.7 | 20 | 24 | | | 55487-1123 | | 55487-1119 | 11 |
| 21 | 7.7 | 18 | 22 | 55487-1026 | 55487-1024 | 55487-1023 | 55487-1022 | 55487-1019 | 10 |
| 19 | 7.7 | 16 | 20 | 55487-0926 | | 55487-0923 | 55487-0922 | 55487-0919 | 9 |
| 17 | 7.7 | 14 | 18 | 55487-0826 | | 55487-0823 | 55487-0822 | 55487-0819 | 8 |
| 15 | 7.7 | 12 | 16 | | | | | 55487-0719 | 7 |
| 13 | 7.7 | 10 | 14 | | | | | 55487-0619 | 6 |
| 11 | 7.7 | 8 | 12 | 55487-0526 | | 55487-0523 | 55487-0522 | 55487-0519 | 5 |
| 9 | 7.7 | 6 | 10 | | | | | 55487-0419 | 4 |
| 7 | 7.7 | 4 | 8 | | | | | 55487-0319 | 3 |
| 5 | 6 | 2 | 6 | | 55487-0224 | | | 55487-0219 | 2 |
| D | C | B | A | COLOR : GREEN 色 : 緑 | COLOR : BLUE 色 : 青 | COLOR : YELLOW 色 : 黄 | COLOR : RED 色 : 赤 | COLOR : WHITE 色 : 白 | CKT 極数 |
| TRAY PACKAGE | | | | | | | | | |
| オーダー番号 ORDER NO. | | | | | | | | | |
| CONNECTOR SERIES NO. 55487-**** | | | | | | | | | |

| | | | | | | | | | |
|--|---------------------------------------|----------------------------------|----------------------------|---|---|------------------------|------------------------|--|--|
| REVISED EC NO: J2010-2138 DRWN: YOSHIKAWA 2010/04/23 CHKD: KASAKAWA 2010/04/26 APPR: NUKITA 2010/04/28 | GENERAL TOLERANCES (UNLESS SPECIFIED) | | DIMENSION STYLE MM ONLY | | SCALE --- | DESIGN UNITS METRIC | THIRD ANGLE PROJECTION | | |
| | 10 UNDER | ±0.2 | DRAWN BY M. NABEI | DATE '05/05/20 | TITLE 2.0 MM W TO B CONN. HEADER ASS'Y (ST.) | | | | |
| | 10 OVER 30 UNDER | ±0.25 | CHECKED BY K. TOJO | DATE '05/05/20 | MOLEX INCORPORATED DOCUMENT NO. SD-55487-007 SHEET NO. 2 OF 2 | | | | |
| | 30 OVER | ±0.3 | APPROVED BY N. UKITA | DATE '05/05/20 | | | | | |
| ANGULAR ±3 ° | | MATERIAL NO. 55487-**19/-**2* | | THIS DRAWING CONTAINS INFORMATION THAT IS PROPRIETARY TO MOLEX INCORPORATED AND SHOULD NOT BE USED WITHOUT WRITTEN PERMISSION | | | | | |
| DRAFT WHERE APPLICABLE MUST REMAIN WITHIN DIMENSIONS | | | | | | | | | |