

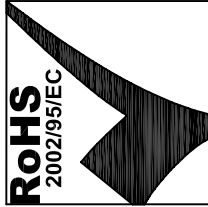
ELECTRICAL SPECIFICATIONS:

2.0 INDUCTANCE: (P1-J1) : (P3-J3) : (P4-J4) : (P7-J7) : 65 uH TYP @.05V, 100KHZ

5.0 DC RESISTANCE: P8-J8 = P7-J7 : .5 OHM MAX
 P6-J6 = P3-J3 : .5 OHM MAX
 P5-J5 = P4-J4 : .5 OHM MAX
 P2-J2 = P1-J1 : .5 OHM MAX

6.0 DIELECTRIC WITHSTAND: : CMA (-dB)

FREQUENCY (MHz)	TYPICAL	MIN
1	8	5
5	17	15
20	23	15
70	25	20
200	22	17
500	11	6



Bel Stewart Connector
 11118 Susquehanna Trail, South
 Glen Rock, Pa 17327-9199
 717.234.7512

MagJack®

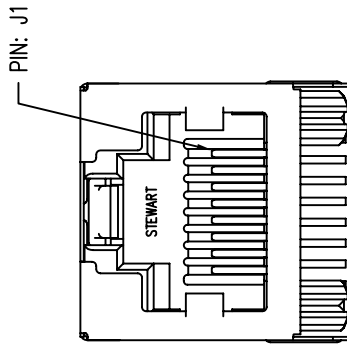
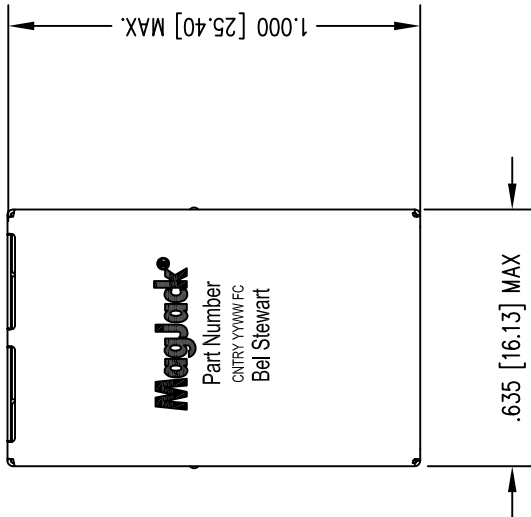
<http://www.stewartconnector.com>

THIS DRAWING AND THE SUBJECT MATTER SHOWN THEREON ARE CONFIDENTIAL AND PROPERTY OF BEL STEWART CONNECTOR AND SHALL NOT BE REPRODUCED, COPIED, OR USED IN ANY MANNER WITHOUT PRIOR WRITTEN CONTENT BEL STEWART CONNECTOR. THE SUBJECT MATTER SHOWN HEREON MAY BE PATENTED OR A PATENT MAY BE PENDING FOR BEL STEWART CONNECTOR. THE SUBJECT MATTER SHOWN HEREON MAY BE PATENTED OR A PATENT MAY BE PENDING FOR BEL STEWART CONNECTOR.

SHEET 1 OF 2

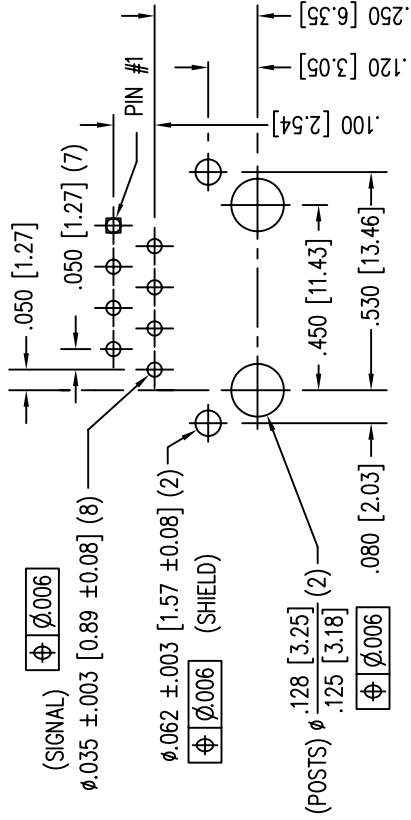
DRAWING NO. SJ-50216-F

REV. 05



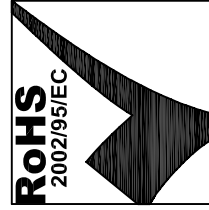
NOTES:

- CONNECTOR MATERIALS:
HOUSING: THERMOPLASTIC UL94 V-0
CONTACT/SHIELD: COPPER ALLOY
SHIELD PLATING: NICKEL OR TIN
CONTACT PLATING: SELECTIVE GOLD,
50 MICRO-INCHES MIN. IN CONTACT AREA.
- PIN NOT ELECTRICALLY CONNECTED MAYBE OMITTED.
SEE ELECTRICAL DRAWING FOR OMITTED PINS.
- TOLERANCES COMPLY WITH F.C.C. DIMENSION REQUIREMENTS.
- ALL TOLERANCES NOT OTHERWISE SPECIFIED TO BE ± 0.005 [0.13]
- REFLOW AND WAVE SOLDER COMPATIBLE -260°C FOR
10 SECONDS MAX.



P.C.B. RECOMMENDED HOLE LAYOUT
SEEN FROM COMPONENT SIDE

ALL CENTERLINE DIMENSIONS ARE BASIC.



Bel Stewart Connector
11118 Susquehanna Trail, South
Glen Rock, Pa 17327-9199
717.234.7512

MagJack®

<http://www.stewartconnector.com>

THIS DRAWING AND THE SUBJECT MATTER SHOWN THEREON ARE CONFIDENTIAL AND PROPERTY OF BEL STEWART CONNECTOR AND SHALL NOT BE REPRODUCED, COPIED, OR USED IN ANY MANNER WITHOUT PRIOR WRITTEN CONTENT BEL STEWART CONNECTOR. THE SUB SECT MAY BE PATENTED OR A PATENT MAY BE PENDING FOR BEL STEWART CONNECTOR.

SHEET 2 OF 2
DRAWING NO. SI-50216-F
REV. 03