

DESCRIPTION:

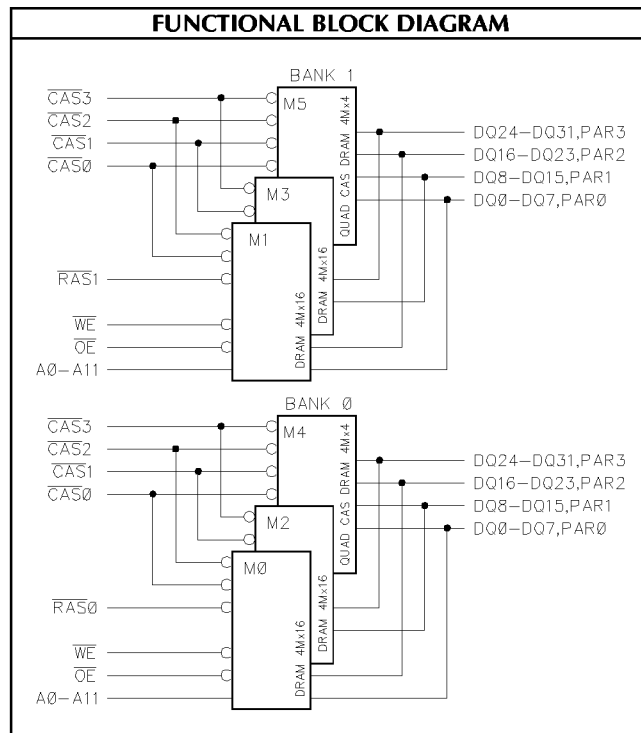
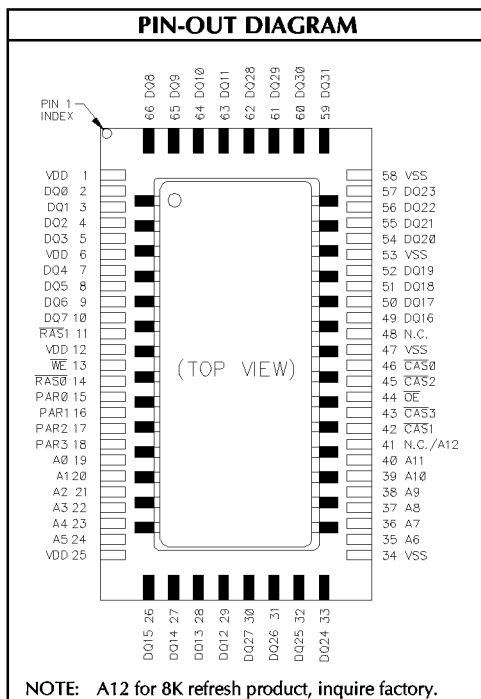
The DPD8MX36RKY5 is the 8 Meg x 36 Dynamic RAM module that utilize the new and innovative space saving TSOP stacking technology. The module is constructed of four 4 Meg x 16 and two 4Mx4 quad CAS Dynamic RAM's that are configured as 2 banks of 4 Meg x 36.

The DPD8MX36RKY5 provides for a compatible upgrade path to lower density compatible modules. The module features high speed access times, common data inputs and outputs, and three standard refresh modes.

FEATURES:

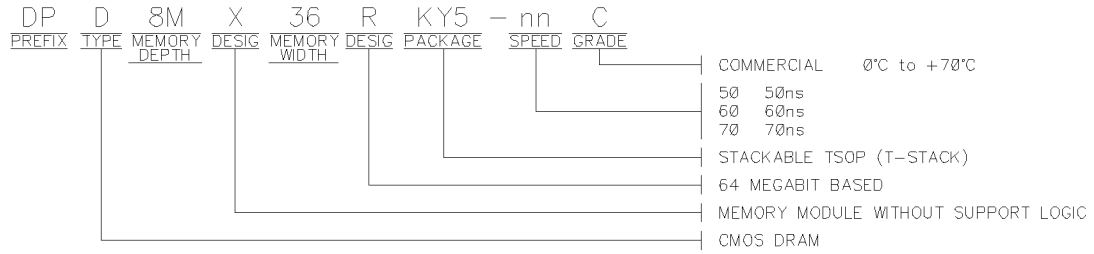
- Access Times: 50, 60, 70ns (max.)
- Byte Wide Control
- 5.0 Volt Supply
- Common Data Inputs and Outputs
- Fast Page Mode Capability
- 4096 Cycles / 64 ms
- 3 Variations of Refresh:
 - RAS only Refresh
 - CAS before RAS Refresh
 - Hidden Refresh
- Package: TSOP Leadless Stack

PIN NAMES	
A0 - A11	Row Address: A0 - A11 Column Address: A0 - A9 Refresh Address: A0 - A11
DQ0 - DQ31	Data In / Data Out
$\overline{\text{CAS}}0 - \overline{\text{CAS}}3$	Column Address Strobe
$\overline{\text{RAS}}0 - \overline{\text{RAS}}1$	Row Address Enables
PAR0 - PAR3	Parity Data In/Data Out
$\overline{\text{WE}}$	Data Write Enable
$\overline{\text{OE}}$	Data Output Enable
VDD	Power Supply (+5V)
VSS	Ground
N.C.	No Connect

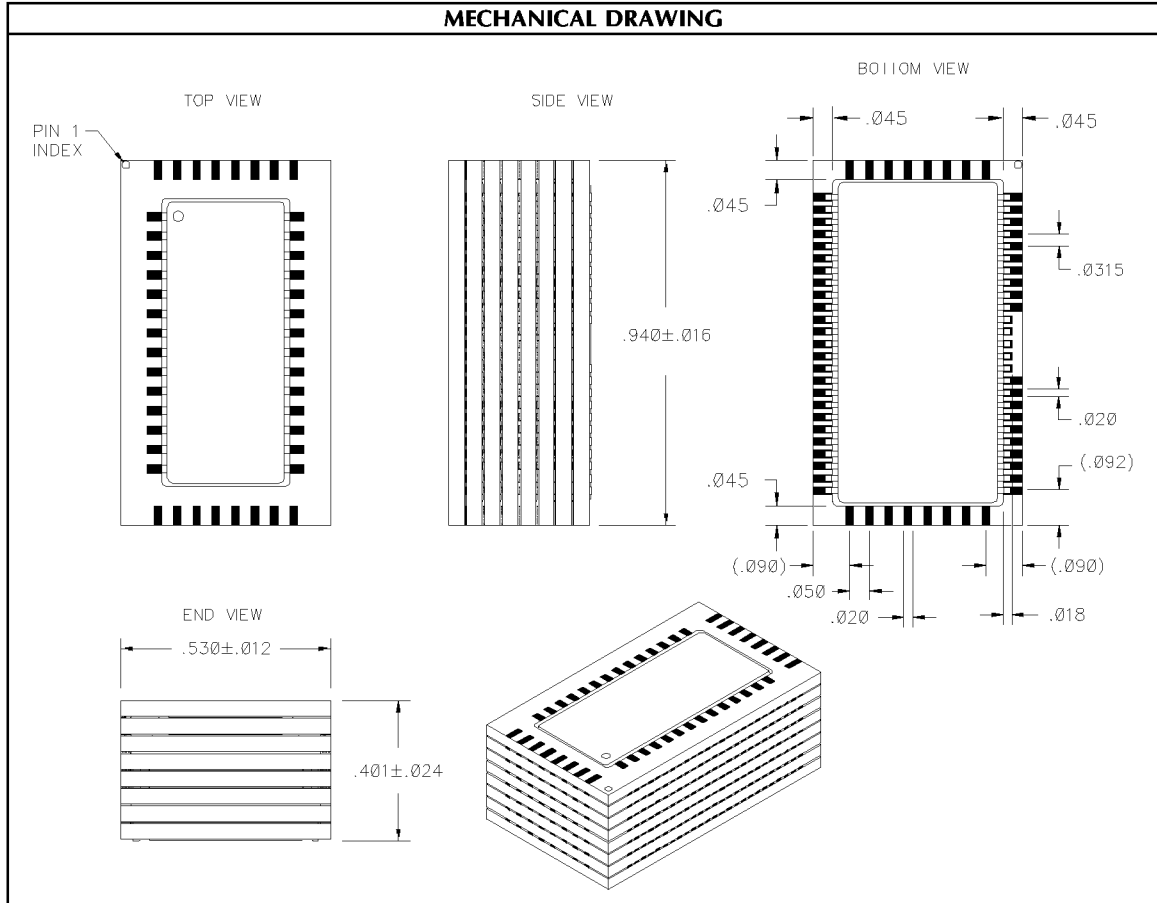


PRELIMINARY

ORDERING INFORMATION



MECHANICAL DRAWING



Dense-Pac Microsystems, Inc.

7321 Lincoln Way ♦ Garden Grove, California 92841-1431
 (714) 898-0007 (800) 642-4477 (Outside CA) ♦ FAX: (714) 897-1772 ♦ <http://www.dense-pac.com>