

# AA15A

15 Watts

## AA15A Series

Total Power	15 Watts
Input Voltages	24V or 48V
# of Outputs	Single, Dual, Triple



## SPECIAL FEATURES

- Surface mount internal construction
- Six-sided shielding
- Wide 4:1 input range
- Small size 2.0" x 2.0" x 0.40"
- 5 year warranty

## ENVIRONMENTAL

Operating ambient temperature range:  
-25°C to +71°C (no derating)

Storage Temperature: -40°C to +105°C

Cooling Method: Convection

MTBF: 415,000 hours (MIL HDBK-217)

## SAFETY

UL UL 1950 Recognized

## ELECTRICAL SPECIFICATIONS

### Input

Input range ..... 9 to 36 VDC; 20 to 72 VDC

Input ripple current ..... <100 mA p-p

Efficiency ..... 80 - 85% typical

Enable ..... On = 2.5 to 5.5Vdc or open circuit;  
off = 0 to 0.8Vdc  
Ref. to -Vin. TTL compatible

### Output

Voltage tolerance ..... ±1% (output 1); ±3% (output 2 and  
output 3) (factory set-point)

Line regulation ..... ±0.5% (output 1);  
±3% (output 2 and output 3)

Load regulation ..... ±0.5% (output 1);  
±3% (output 2 and output 3)

Noise/ripple ..... 75mV p-p (output 1);  
100mV p-p (output 2 and output 3),  
under specified conditions

Output voltage adjust range .. +10%, -4% max  
(single and dual output models only)

Output voltage protection ..... zener clamp

Short circuit ..... power cycling, main only

Switching frequency ..... 100kHz (fixed, typ)

### Isolation

I/O isolation ..... 500 VDC

## NOTES

All specifications are typical at nominal input and full load unless otherwise noted.

Specifications subject to change without notice.

Mechanical drawings for reference only.

Minimum load 20%.

## ORDERING INFORMATION

Input Voltage	Output 1 Voltage	Output 2 Voltage	Output 3 Voltage	Maximum Power	Model Number
9-36V	5V @ 3A			15W	AA15A-024L-050S
9-36V	12V @ 1.250A			15W	AA15A-024L-120S
9-36V	15V @ 1A			15W	AA15A-024L-150S
9-36V	12V @ 0.625A	-12V @ 0.625A		15W	AA15A-024L-120D
9-36V	15V @ 0.500A	-15V @ 0.500A		15W	AA15A-024L-150D
9-36V	5V @ 1.500A	12V @ 0.310A	-12V @ 0.310A	15W	AA15A-024L-050T120
9-36V	5V @ 1.500A	15V @ 0.250A	-15V @ 0.250A	15W	AA15A-024L-050T150
<hr/>					
20-72V	5V @ 3A			15W	AA15A-048L-050S
20-72V	12V @ 1.250A			15W	AA15A-048L-120S
20-72V	15V @ 1A			15W	AA15A-048L-150S
20-72V	12V @ 0.625A	-12V @ 0.625A		15W	AA15A-048L-120D
20-72V	15V @ 0.500A	-15V @ 0.500A		15W	AA15A-048L-150D
20-72V	5V @ 1.500A	12V @ 0.310A	-12V @ 0.310A	15W	AA15A-048L-050T120
20-72V	5V @ 1.500A	15V @ 0.250A	-15V @ 0.250A	15W	AA15A-048L-050T150

Please contact Astec for information on other output voltages, power ranges and configurations.

## PIN ASSIGNMENTS

### Single Output

- +Vin
- Vin
- No pin
- Control (Enable)
- No connect
- Output 1
- V out
- Trim

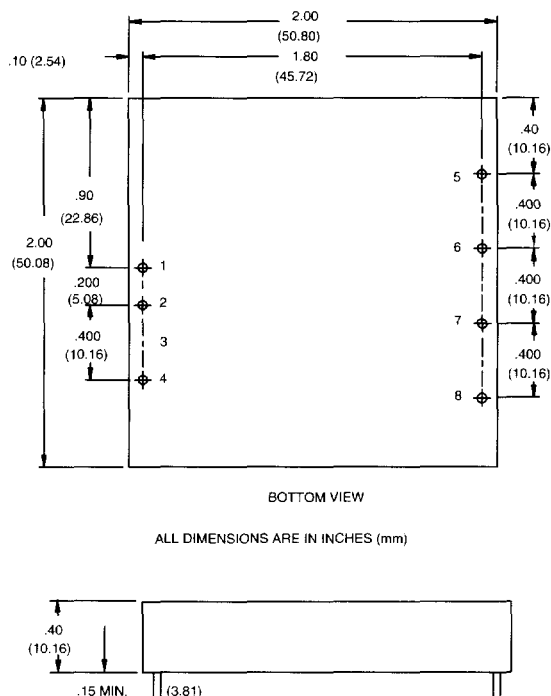
### Dual Output

- +Vin
- Vin
- No pin
- Control (Enable)
- Output 1
- COM (O/P Common)
- Output 2
- Trim

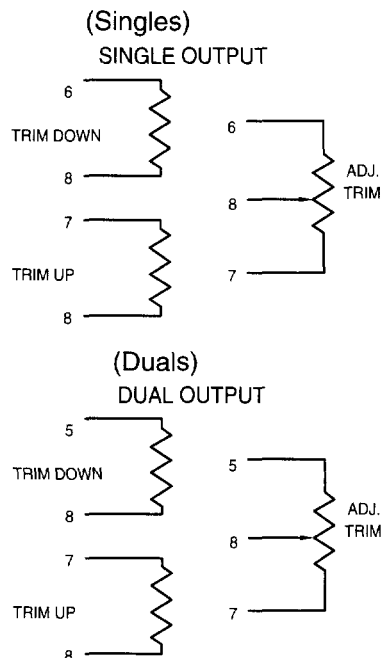
### Triple Output

- +Vin
- Vin
- No pin
- Control (Enable)
- Output 2
- Output 1
- COM (O/P Common)
- Output 3

## DIMENSIONS



## TRIM METHOD



Note: Pins 0.040 in Dia x 0.15 in min