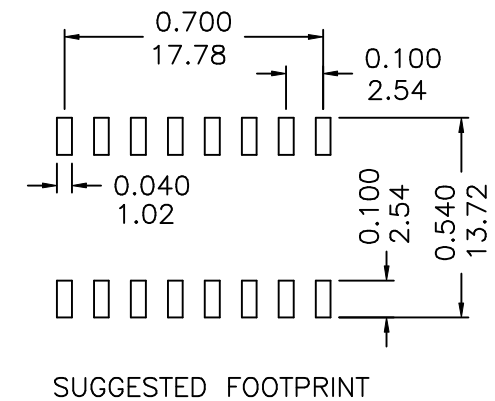
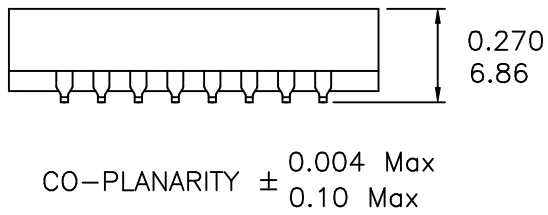
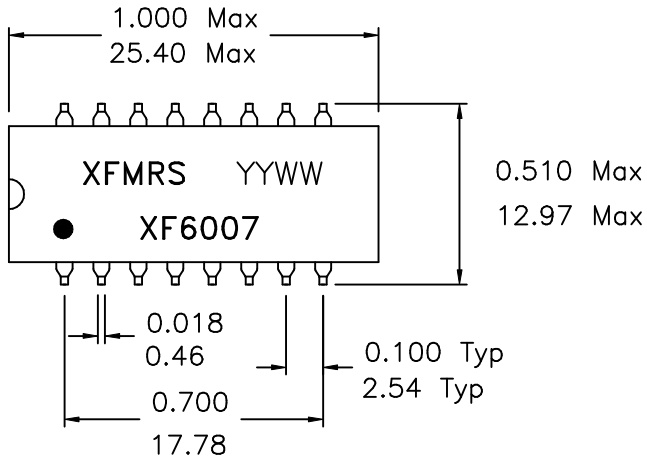
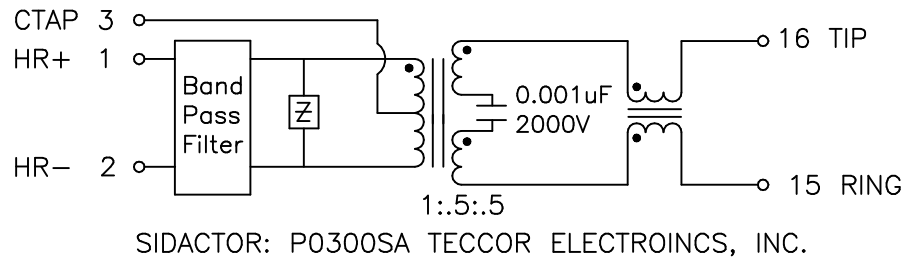


1. Dimensions:



2. Schematic:



3. Electrical Specifications: @25°C

- Center Frequency: 7.5MHz
- Insertion Loss: 1.5dB Min 6 to 9MHz
- Insertion Loss: 3.0dB Max 6 to 9MHz
- Return Loss: 12dB Min 6 to 9MHz
- Attenuation @1MHz 70dB Min
- @27MHz 55dB Min
- CMRR (common mode to diff.): 50dB Min 5.5 to 9.5MHz
- line withstand voltage: 2000Vrms

XFMR INC. UNLESS OTHERWISE SPECIFIED TOLERANCES: .xxx ±0.010 Inch Dimensions in Inch/mm	Title: BANDPASS FILTER	
	P/N: XF6007	REV. A
	DWN. Buddy	May-10-00
	CHK. Joe Huff	May-10-00
SCALE 2:1 SHT 1 OF 1	APP. AEI	May-10-00

DOC. REV: A/1