

**Panel Sealed**

**Single Chip LED**

**Sunlight Viewable**

**IP68 - Ø8.0**

**Features**

Rugged glass and metal construction;

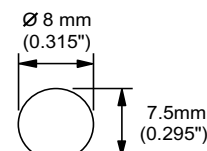
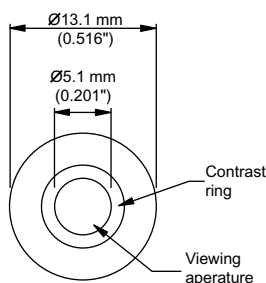
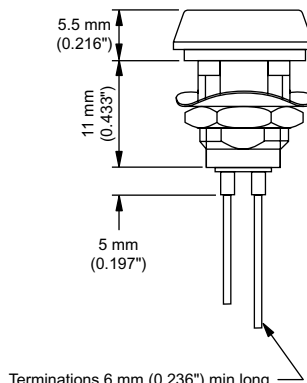
Visible up to 100,000 LUX ambient illumination;

Special neutral density lens eliminates reflected sunlight;

Contrast enhancing shroud design;

Panel sealed to IP68;

100° viewing angle.



**Mounting Hole**

**Ordering Information and Technical Characteristics (Ta = 25°C)**

| Ordering Information | Colour | Lens Type       | Forward Voltage | Current (mA) | Luminous Intensity | Reverse Voltage | Viewing Angle | Operating Temp   | Storage Temp      |
|----------------------|--------|-----------------|-----------------|--------------|--------------------|-----------------|---------------|------------------|-------------------|
| PS/LH/8/RAPP/RD      | Red    | Flat            | 2.2             | 20           | 2                  | 5               | 100°          | -40<br>to<br>+85 | -55<br>to<br>+100 |
| PS/LH/8/RAPP/YW      | Yellow |                 | 2.2             | 20           | 1                  | 5               |               |                  |                   |
| PS/LH/8/RAPP/GN      | Green  |                 | 2.2             | 20           | 2                  | 5               |               |                  |                   |
| PS/LH/8/RAPP/H/RD    | Red    | Neutral Density | 1.9             | 20           | 54                 | 5               |               |                  |                   |
| PS/LH/8/RAPP/H/YW    | Yellow |                 | 2.2             | 20           | 45                 | 5               |               |                  |                   |
| PS/LH/8/RAPP/H/GN    | Green  |                 | 3.6             | 20           | 56                 | 5               |               |                  |                   |
| PS/LH/8/RAPP/H/BE    | Blue   |                 | 3.6             | 20           | 54                 | 5               |               |                  |                   |
| PS/LH/8/RAPP/H/WE    | White  |                 | 3.6             | 20           | 45                 | 5               |               |                  |                   |
|                      |        |                 | <b>V</b>        | <b>mA</b>    | <b>mcd</b>         |                 |               | <b>°C</b>        | <b>°C</b>         |

Mean time before failure 90,000 hrs.

RAPP - denotes sunlight viewable pinpoint wide viewing.

For night vision compatible options please denote **NVG** at the end of the ordering information. e.g. PS/LH/8/RAPP/NVG - 10 = Green, 20 = Yellow and 30 = Red.

Customer Specials available on request.