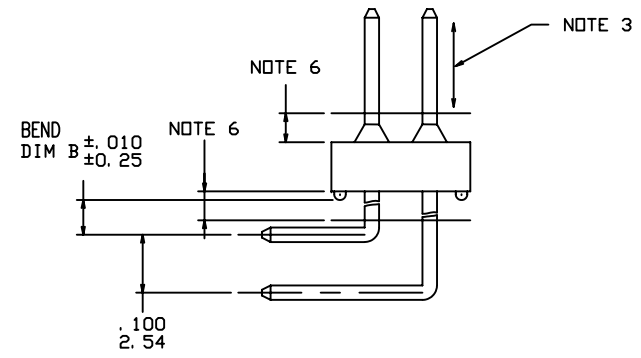
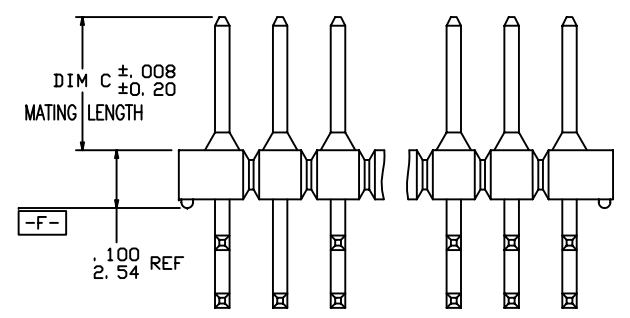
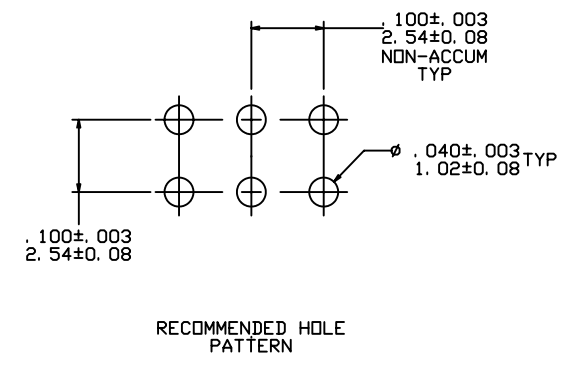
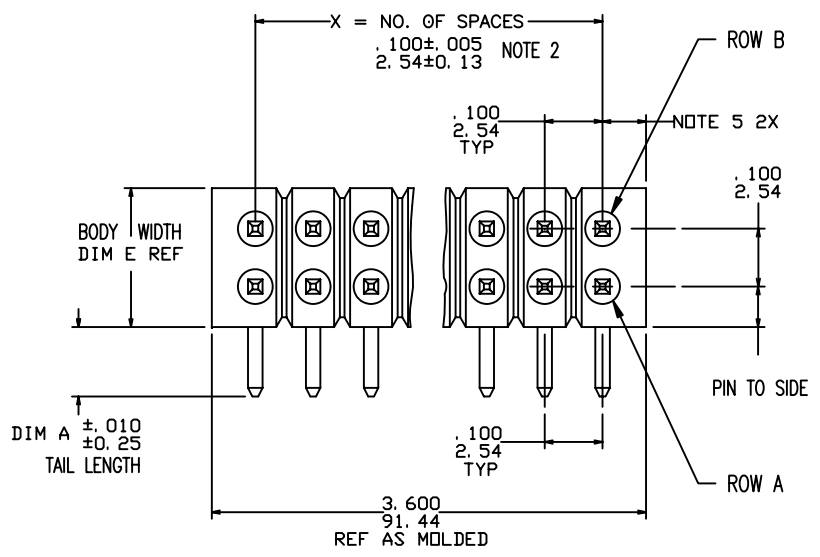


Tous droits strictement reserves. Reproduction ou communication a des tiers interdite sous quelque forme que ce soit sans autorisation ecrite du proprietaire. Propriete de c FCI. Droits de reproduction FCI.

All rights strictly reserved. Reproduction or issue to third parties in any form whatever is not permitted without written authority from the proprietor. Property of FCI. Copyright FCI.

PRODUCT NUMBER  
SEE TABLE



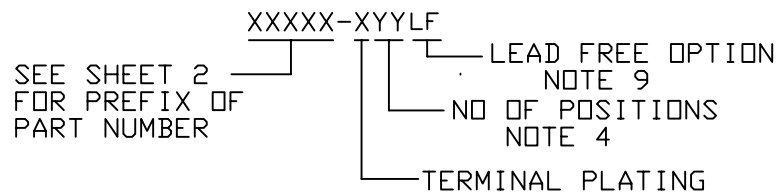
mat'l. code				tolerances unless otherwise specified		CUSTOMER COPY		FCI www.fciconnect.com	
ltr	ecn no	dr	date	linear	.XX ± .01 / X ± .3		projection	title	
AJ	N06-0137	LONG	5/25/06		.XXX ± .005 / XX ± .13			BERGSTIK I HEADER	
					.XXXX ± .0020 / XXX ± .051			.100/2.54cc DR RIGHT ANGLE	
				angles	0° ± 2°		INCH/MM	product family BERGSTIK	
				dr	BK CHUA	15/7/96		code	
				engr	JOYCE PEH	15/7/96		NT	
				chr	JOYCE PEH	15/7/96		sheet	
				appd	MK KAN	15/7/96	scale		
sheet	revision	AJ	AH	AF			A		65624
Index	sheet	1	2	3			size dwg no		1 of 3

PRODUCT NUMBER  
SEE TABLE

PLATING VARIATIONS

-YYY	OVERPLATING	UNDERPLATING	PLASTIC COLOR	TERMINAL MATERIAL
-1YY	30u"/0.76u Gold	50u"/1.27u Nickel	BLACK	3/4 HD PHOS. BRONZ.
-2XX	15u"/0.38u Gold	50u"/1.27u Nickel	CREAM	3/4 HD PHOS. BRONZ.
-3YY	50u"/1.27u Gold	50u"/1.27u Nickel	NAT'L BROWN	3/4 HD PHOS. BRONZ.
-4YY	150u"/3;81u SnPb	-----	BLACK	3/4 HD PHOS. BRONZ.
-5YY	15u"/0.38u Pd Alloy WITH GOLD FLASH	50u"/1.27u Nickel	DARK BLUE	3/4 HD PHOS. BRONZ. OBSOLETE
-6YY	30u"/0.76u Pd Alloy WITH GOLD FLASH	50u"/1.27u Nickel	LIGHT BLUE	3/4 HD PHOS. BRONZ. OBSOLETE
-9YY	5u"/0.13u Gold	50u"/1.27u Nickel	BLACK	3/4 HD PHOS. BRONZ.

PART NUMBER INFORMATION



EXAMPLE: 65624-408  
DENOTES AS 8 POS WITH 15u"/0.38u TIN PLATED TERMINALS. THE OVERALL PLASTIC LENGTH MAY

NOTES:

- MOLDING MAT'L: 20% GLASS FILLED NYLON FLAME RETARDANT PER UL-94V-0.
- MEASURED AT DATUM -F- WITH PART IN RESTRAINED CONDITION.
- 5 LBS/2.3 KGS MIN TERMINAL PUSH-OUT FORCE IN EITHER DIRECTION.
- MIN NO OF POSITIONS - 2  
MAX NO OF POSITIONS - 72
- .050/1.27 MAX AS MOLDED(MOLDED AS 72 POS ONLY)  
.075/1.91 MAX WHEN BROKEN TO SPECIFIED LENGTHS.
- .050/1.27 MAX FLASH PERMISSABLE IN THESE AREAS.
- TWO SIDES OF LEAD-IN ON PINS NOT PLATED. TYPICAL BOTH SIDES.
- RECESSED AREA MAY APPEAR WHERE INDICATED ON POSITIONS 1, 8, 15, 22, 29, & 36 BOTH SIDES.
- ADD "LF" SUFFIX AT THE END OF PART NUMBER FOR LEAD FREE OPTION. THE ORIGINAL "PLATE SnPb" CHANGE TO "PLATE PURE MATTE Tin". IF "LF" P/N THE PRODUCT MEETS EUROPEAN UNION DIRECTIVES AND OTHER AND OTHER COUNTRY REGULATION AS DESCRIBED IN GS-22-008. THE HOUSING WILL WITHSTAND EXPOSURE TO 260° PEAK TEMPERATURE FOR 15 SECONDS IN A WAVE PROCESS.

mat'l. code		tolerances unless otherwise specified		CUSTOMER COPY	www.fciconnect.com	
ltr	ecrn no	dr	date	linear		
AH				.xx ±.01/.xx±.3	projection	
				.xxx ±.005/.xx±.13		title
				.xxx ±.0020/.xxx±.051		BERGSTIK I HEADER .100/2.54cc DR RIGHT ANGLE
				angles 0° ±2°	INCH/MM	product family
				dr BK CHUA 15/7/96		BERGSTIK
				enr JOYCE PEH 15/7/96	scale	code
				chr JOYCE PEH 15/7/96		1:1
				app MK KAN 15/7/96	A	sheet
						65624
sheet index	revision sheet					

Tous droits strictement reserves. Reproduction ou communication a des tiers interdite sous quelque forme que ce soit sans autorisation ecrite du propriétaire. Propriete de c FCI. Droits de reproduction FCI.



All rights strictly reserved. Reproduction or issue to third parties in any form whatever is not permitted without written authority from the proprietor. Property of FCI. Copyright FCI.

Tous droits strictement reserves. Reproduction ou communication a des tiers interdite sous quelque forme que ce soit sans autorisation écrite du propriétaire. Propriete de c FCI. Droits de reproduction FCI.

All rights strictly reserved. Reproduction or issue to third parties in any form whatever is not permitted without written authority from the proprietor. Property of FCI. Copyright FCI.



PRODUCT NUMBER	TAIL LENGTH		BEND DIM.		MATING LENGTH		PIN TO SIDE		BODY WIDTH	
	DIM A	DIM A	DIM B	DIM B	DIM C	DIM C	DIM D	DIM D	DIM E	DIM E
	ENGLISH	METRIC	ENGLISH	METRIC	ENGLISH	METRIC	ENGLISH	METRIC	ENGLISH	METRIC
65624-YYY	0.095	2.41	0.060	1.52	0.230	5.84	0.045	1.14	0.195	4.95
65625-YYY	0.120	3.05	0.060	1.52	0.230	5.84	0.045	1.14	0.195	4.95
65626-YYY	0.110	2.79	0.060	1.52	0.318	8.08	0.070	1.78	0.245	6.22
65945-YYY	0.110	2.79	0.060	1.52	0.345	8.76	0.070	1.78	0.245	6.22
65637-YYY	0.305	7.75	0.060	1.52	0.318	8.08	0.070	1.78	0.245	6.22
65987-YYY	0.110	2.79	0.060	1.52	0.318	8.08	0.045	1.14	0.195	4.95
65994-YYY	0.176	4.47	0.060	1.52	0.230	5.84	0.070	1.78	0.245	6.22
66489-YYY										
66529-YYY	0.095	2.41	0.060	1.52	0.230	5.84	0.070	1.78	0.245	6.22
66533-YYY	0.195	4.95	0.060	1.52	0.230	5.84	0.045	1.14	0.195	4.95
67112-YYY										
67175-YYY										
67177-YYY										
67186-YYY	0.150	3.81	0.060	1.52	0.318	8.08	0.070	1.78	0.245	6.22
67267-YYY										
67351-YYY										
68062-YYY										
68441-YYY										
68496-YYY	0.110	2.79	0.060	1.52	0.230	5.84	0.070	1.78	0.245	6.22
89167-YYY	0.085	2.16	0.060	1.52	0.230	5.84	0.050	1.27	0.195	4.95

mat'l. code		tolerances unless otherwise specified		CUSTOMER COPY		www.fciconnect.com		
ltr	ecn no	dr	date	linear	.xx ±.01/.X±.3	projection	title	
AF					.xxx ±.005/.xx±.13		BERGSTIK I HEADER	
					.xxx ±.0020/.xxx±.051		.100/2.54cc DR RIGHT ANGLE	
				angles	0° ±2°		product family BERGSTIK	
				dr	BK CHUA 15/7/96		code	NT
				enr	JOYCE PEH 15/7/96		size	dwg no
				chr	JOYCE PEH 15/7/96		A	65624
				app	MK KAN 15/7/96	scale	1:1	
sheet index	revision sheet						sheet 3 of	