

Small, two-color LEDs (2 × 5 mm)

SPB-25 Series

The SPB-25 series are two-color, rectangular LEDs with an emission size of 2 × 5 mm and a high luminous efficiency. Red and green elements are built into a single package, and these LEDs are suitable for a wide range of uses.

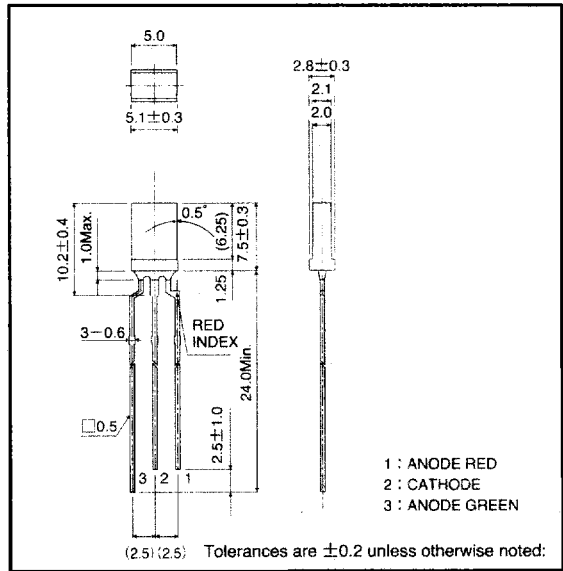
●Features

- 1) Two-color emission : red and green.
- 2) Uniform light emission with no irregularities.
- 3) Rectangular shape and planar light emission.
- 4) Milky white lens.
- 5) High reliability and excellent heat tolerance.

●Selection guide

Emitting color	Red/Green
Lens	Milky white
	SPB-25MW

●External dimensions (Unit: mm)



●Absolute maximum ratings (Ta = 25°C)

Parameter	Symbol	Red	Green	Unit
Power dissipation	P _D	60	75	mW
Forward current	I _F	20	25	mA
Peak forward current	I _{FP}	60*	60*	mA
Reverse voltage	V _R	3	3	V
Operating temperature	T _{opr}	-25~85		°C
Storage temperature	T _{stg}	-30~100		°C
Soldering temperature	—	260°C 5 seconds maximum		—

* Pulse width 1ms Duty 1/5

●Electrical and optical characteristics (Ta = 25°C)

Parameter	Symbol	Conditions	Red			Green			Unit
			Min.	Typ.	Max.	Min.	Typ.	Max.	
Forward voltage	V_F	$I_F=10\text{mA}$	—	2.0	3.0	—	2.1	3.0	V
Reverse current	I_R	$V_R=3\text{V}$	—	—	10	—	—	10	μA
Peak wavelength	λ_P	$I_F=10\text{mA}$	—	650	—	—	563	—	nm
Spectral line half width	$\Delta \lambda$	$I_F=10\text{mA}$	—	40	—	—	40	—	nm
Emission power half angle	$2\theta_{1/2}$	Diffused	—	100	—	—	100	—	deg
Luminous intensity	I_v	$I_F=10\text{mA}$	0.36	1.0	—	0.36	1.0	—	mcd

●Luminous intensity vs. wavelength

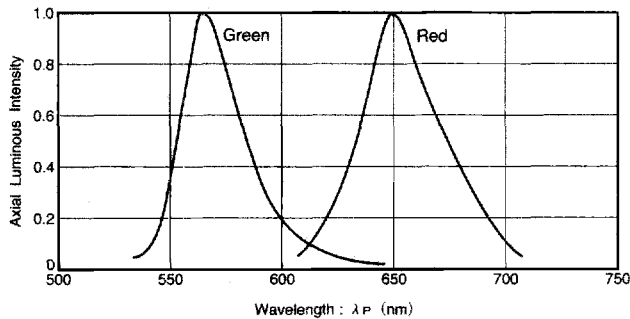


Fig. 1

●Directional pattern

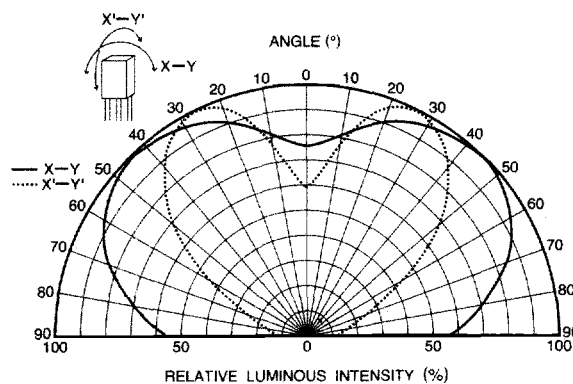


Fig. 2

LED Lamps

● Electrical characteristics (red, green)

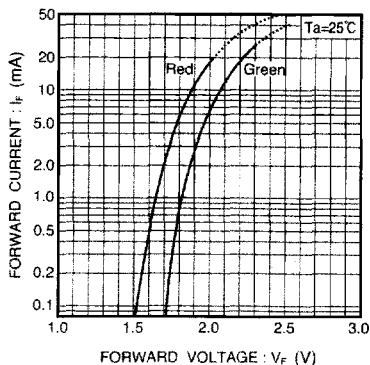


Fig. 3 Forward current vs. forward voltage

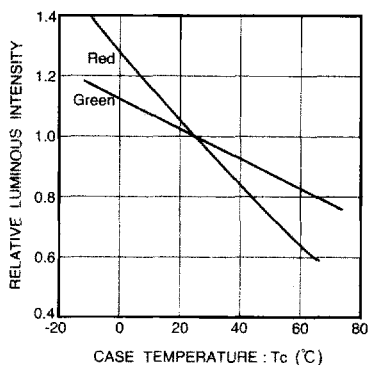


Fig. 4 Luminous intensity vs. case temperature

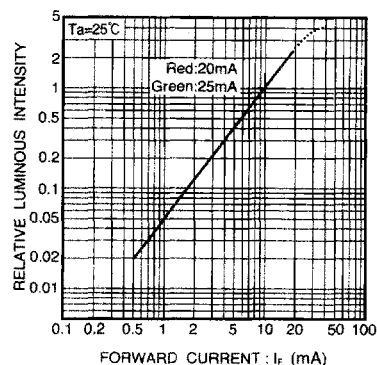


Fig. 5 Luminous intensity vs. forward current

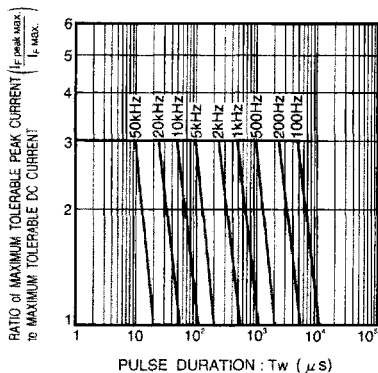


Fig. 6 Maximum tolerable peak current vs. pulse duration (red)

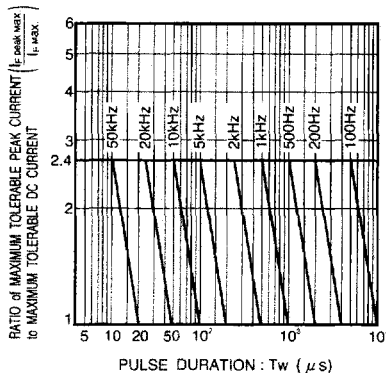


Fig. 7 Maximum tolerable peak current vs. pulse duration (green)

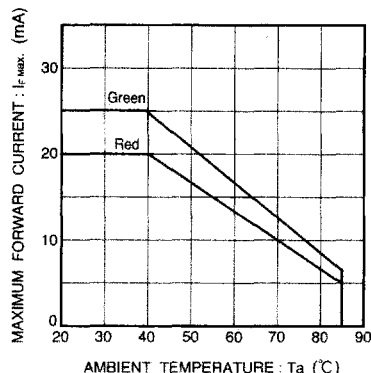


Fig. 8 Maximum forward current vs. ambient temperature