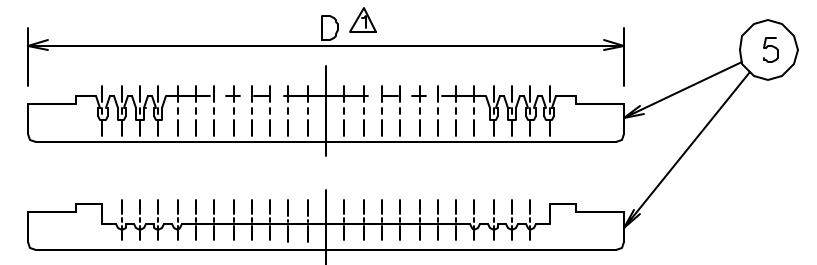
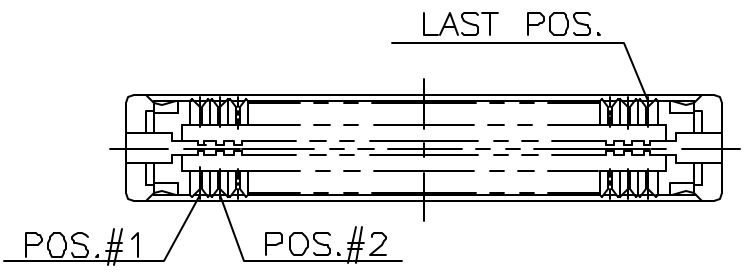
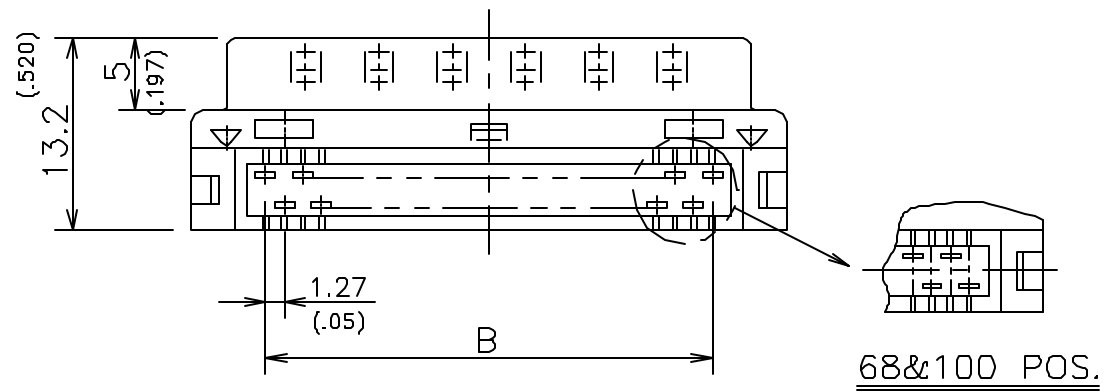
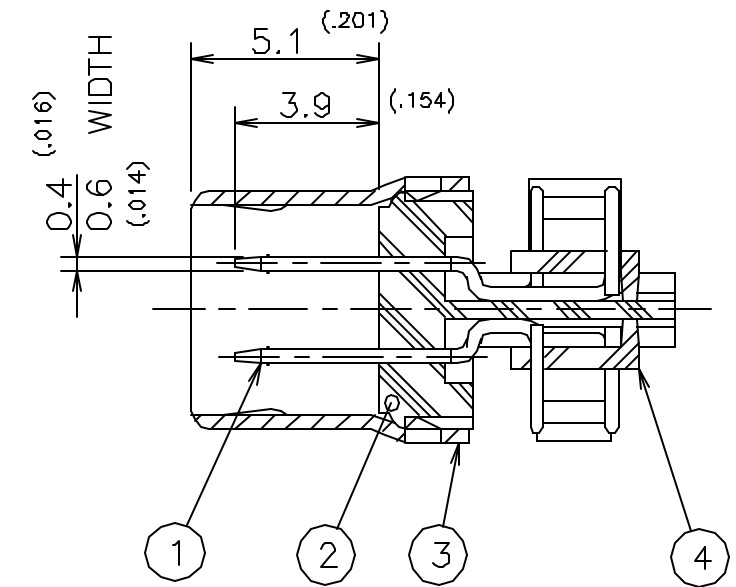


NOTE  
 1. CONTACT PLATING  
 GOLD(0.76μm MIN.) ON  
 MATING AREA, TIN/LEAD  
 ON TERMINATION AREA,  
 ALL OVER NICKEL  
 UNDERPLATED.



FOR DISCRETE WIRE  
 FOR FLAT CABLE

HONDA  
 PRINT RM  
 MAR.12.1997  
 ISSUED

PART NO.	CABLE CHARACTERISTICS
PCS-XE( )M1G1	FOR DISCRETE WIRE #28AWG(7/0.127) O.D.:0.8~1.0mm Δ #30AWG(1/0.254)
PCS-XE( )MA1G1	FOR DISCRETE WIRE #28AWG(7/0.127) O.D.:0.5~0.65mm Δ #30AWG(1/0.254)
PCS-XE( )MB1G1	FOR DISCRETE WIRE #30AWG(7/0.1) O.D.:0.5~0.65mm
PCS-XE( )MC1G1	FOR FLAT CABLE #28AWG(7/0.127) THICKNESS:1mm MAX. Δ #30AWG(1/0.254)
PCS-XE( )ME1G1	FOR FLAT CABLE #30AWG(7/0.1) THICKNESS:1mm MAX.
PCS-XE( )MJ1G1	FOR DISCRETE WIRE #28AWG(7/0.127) O.D.:0.65~0.8mm Δ #30AWG(1/0.254)
PCS-XE( )MK1G1	FOR DISCRETE WIRE #30AWG(7/0.1) O.D.:0.65~0.8mm

PART NO. PCS-XE50MA1G1  
 NO. OF POS.  
 CABLE CHARACTERISTICS

PART NO.	NO.OF POS.	A Δ	B	C	D Δ	MARKING (POS.NO.)
PCS-XE100M( )1G1	100	69.32 (2.729)	1.27x(50-1)=62.23 (2.45)	66.60 (2.622)	69.30 (2.728)	1,50,51,100
PCS-XE68M( )1G1	68	49.00 (1.929)	1.27x(34-1)=41.91 (1.65)	46.28 (1.822)	49.00 (1.929)	1,34,35,68
PCS-XE50M( )1G1	50	37.57 (1.479)	1.27x(25-1)=30.48 (1.20)	34.85 (1.372)	37.57 (1.479)	1,25,26,50
PCS-XE26M( )1G1	26	22.33 (0.879)	1.27x(13-1)=15.24 (.60)	19.61 (.772)	22.30 (.879)	1,13,14,26

DATE	BY	REV.	DESCRIPT	NO.	PART NAME	MATERIAL	QTY	FINISH	NOTE
MAR.12 1997	A.M		CHANGE CABLE CHARACTERISTICS	5	CABLE COVER		2		UL94V-0 BLACK
MAR.06 1995	B.FURUKAWA		ADDED TOLERANCE, CHANGED SHELL SHAPE	4	SUPPORTER		2		UL94V-0 BLACK
FEB.10 1995	A.M		CHANGE DIMENSION	3	SHELL	STEEL	1	Ni PLATING	
				2	INSULATOR		1		UL94V-0 BLACK
				1	CONTACT	PHOSPHOR BRONZE		NO.OF POS.	NOTE#1

DATE	SCALE	UNIT	3RD . A . P	HONDA TSUSHIN KOGYO., LTD.						
FEB.8.1995	2 / 1	mm(INCH)		DR.	DE.	CHK.	CHK.	APP.	NAME	PCS-XE TYPE MALE CONNECTOR (SCSI- II III)
									PART NO.	PCS-XE( )M( )1G1