

SPECIFICATIONS

DC Power Jack Connector

Mechanical

Mating Force: 0.3~3.0Kgf (0.66~6.61Lb)
Unmating Force: 0.3~3.0Kgf (0.66~6.61Lb)
Durability: 5000 Cycles

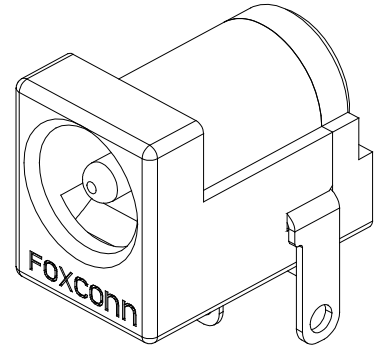
JPD Series
Right Angle, T/H
3 Pos.

Electrical

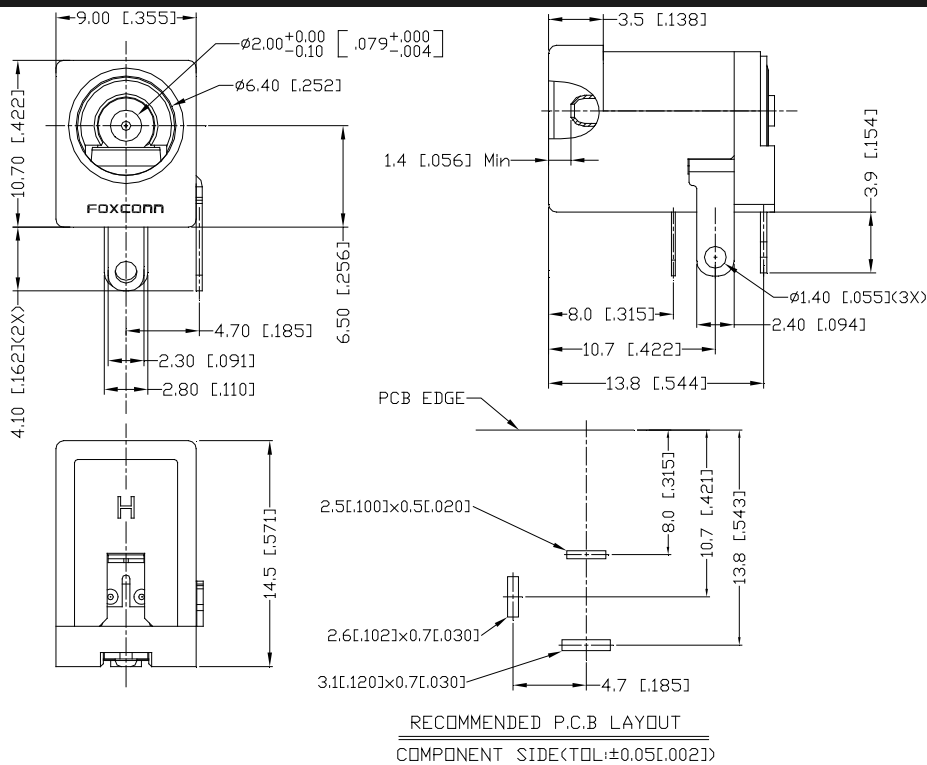
Voltage Rating: 20V
Current Rating: 5A(max.)
Contact Resistance: 30mΩ max initial
 60mΩ max after test.
Dielectric Withstanding Voltage: 500V AC/1min min.
Insulation Resistance: 100MΩ min.

Physical

Housing & Spacer: Thermoplastic, UL 94V-0 rated
Contact: Copper alloy
Plating: See "ORDERING INFORMATION"
Operating Temperature: -25°C to +70°C



DRAWING



ORDERING INFORMATION

PRODUCT NO. **J P D 1 0 3 0 - N524 - 4 F**

Jack Series	J	Power Type	P	Terminator Type	D	Contact Design Type	1	Lead Free Code	F
JP=Power Jack		D=DC		1=Right Angle T/H		0=Male		F= Lead Free	
								Package Code	4= Tray Packing
								Modification Code	
								Contact Area Plating	0=100~200u" Sn
								No.of Pos	3=3 Pos