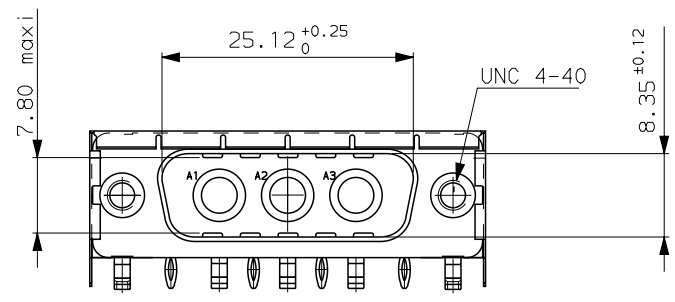
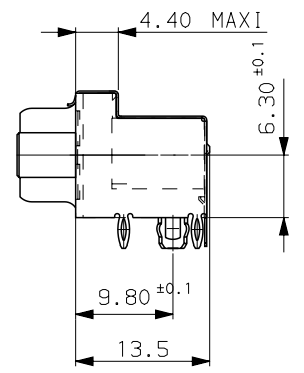
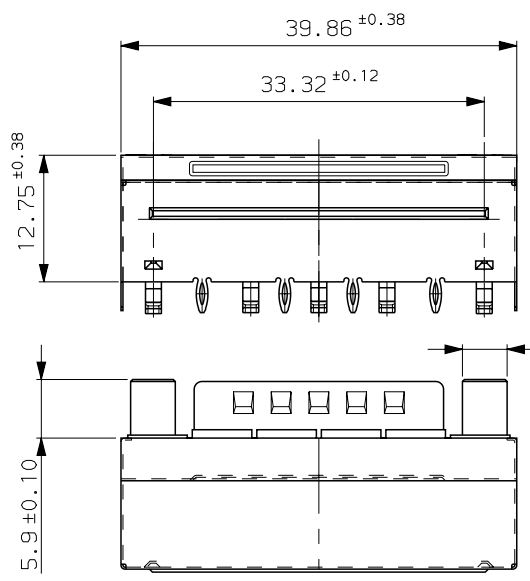


H G F E D C B A

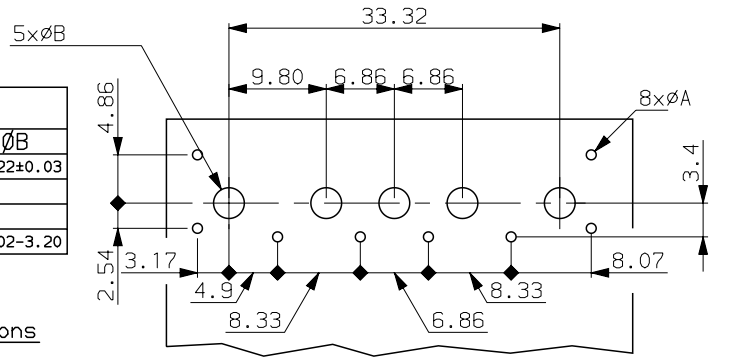
view shown without grounding



D3W3P80C6GV2C	0.76μ
D3W3P80C5GV2C	0.40μ
PART NUMBER	gold plating

DETAIL OF PRESS FIT
Scale: 3

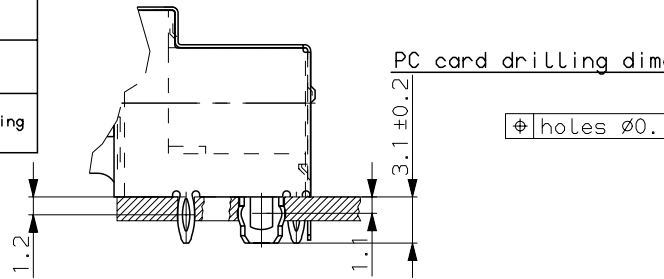
PCB HOLE DEFINITION		
	∅A	∅B
DRILLED HOLE	∅1.15±0.03	∅3.22±0.03
COPPER PLATING	25μ mini	
TIN-LEAD PLATING	5μ mini	
FINISHED HOLE AFTER REFLOW	∅0.94-1.09	∅3.02-3.20



PC card drilling dimensions

∅ holes ∅0.13

PART NUMBER: SEE TABLE



Detail of grounding system

REQUIREMENTS

Technical characteristics:
 Shell: steel tin plated
 Insulators: self-extinguishing thermoplastic, UL class 94V0
 Contacts: brass, gold (see table) over 2μ mini nickel on mating end
 SnPb flash to 1.5μ over 1.3μ mini nickel on termination
 Cycles >500

Accessories:
 Grounding strip: brass, tin plated
 cover shielding: stainless steel alloy
 press fit harpoon: brass tin plated
 female screw: Lock UNC 4.40, brass tin plated
 retention against torque 0.70N.m minimum

Electrical characteristics:
 max. current rating: 40A
 Test voltage: 1000V
 Rated voltage: 300V
 Contact resistance: <10mΩ
 Shell resistance: <5mΩ
 Insulation resistance: >5000MΩ

Climatic characteristics:
 Operating temperature range: -55°C +125°C

Dimensions:
 in accordance with MIL-C-24308B and DIN41652

c	24/03/97	replace plastic pin by harpoon press fit	--	--
ISS	DATE	Lastest modification by : LENOIR	MOD N°	
Designed by: PESSON date: 8/12/96		Type of drawing: CLIENT		
Checked by: FONTENEAU date: --		Released by: --		
TITLE : MALE CONNECTOR 3W3 DELTA D with right angled power press fit + shielding				
SCALE	Special mfg: --	MATERIAL: --	N°: --	
2.0	item list n°: --	--		
	General Linear Tolerances: --	General machining surface texture: --	Geometrical Tolerances see NF E 04-552	SHEET 01
			FRAMATOME CONNECTORS FRANCE Rue Louis Breguet - BP 05 72024 LE MANS Cedex Tel. 33 (16) 43.84.08.43	
FORMAT A3	SOURIAU DRG N° C01-8646-0526		PROJECT M94D002	